



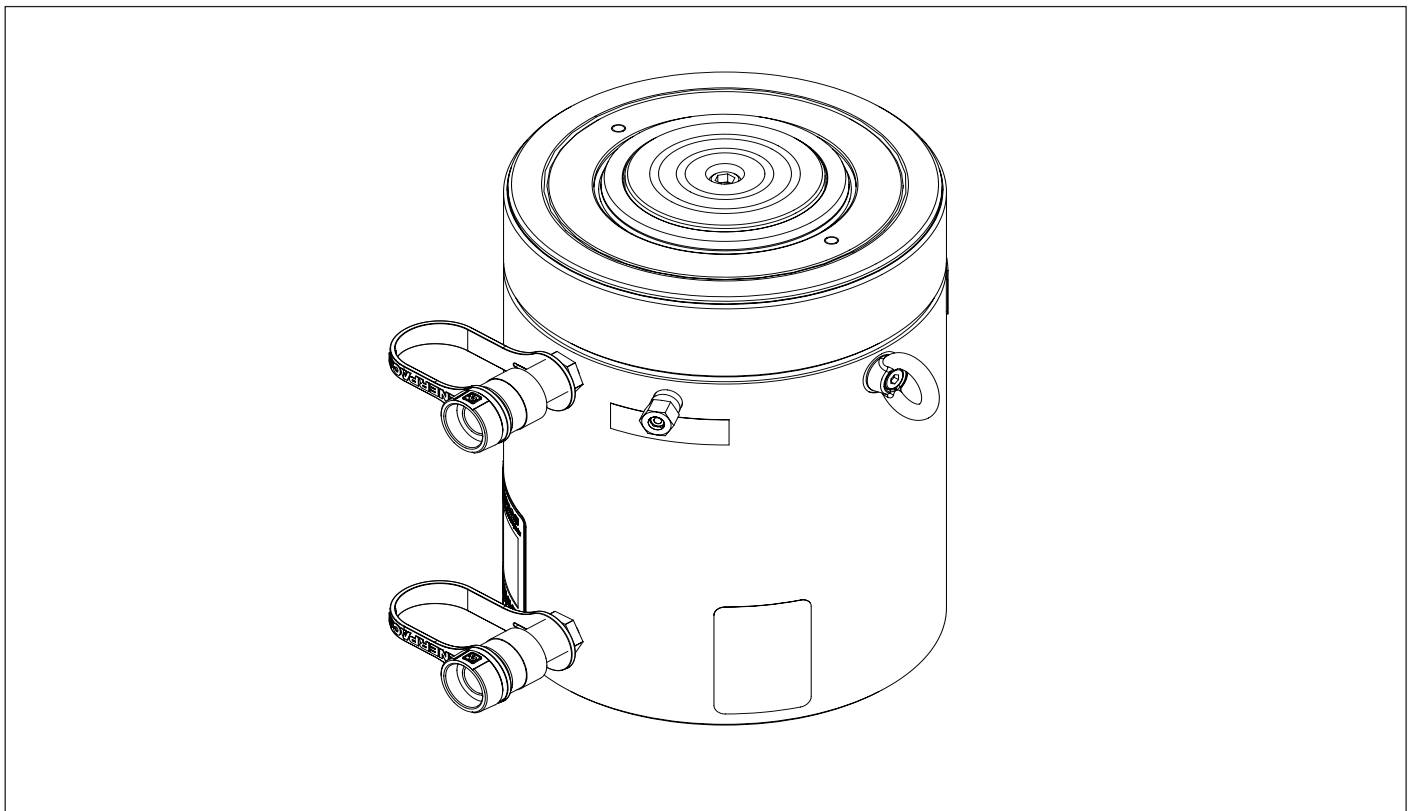
Repair Parts Sheet

High Tonnage Hydraulic Cylinders  
HCR-Series

Document Number	Document Revision	Document Revision Date	Product Date Code Beginning With
L4208	C	12/2020	A

**NOTICE:**

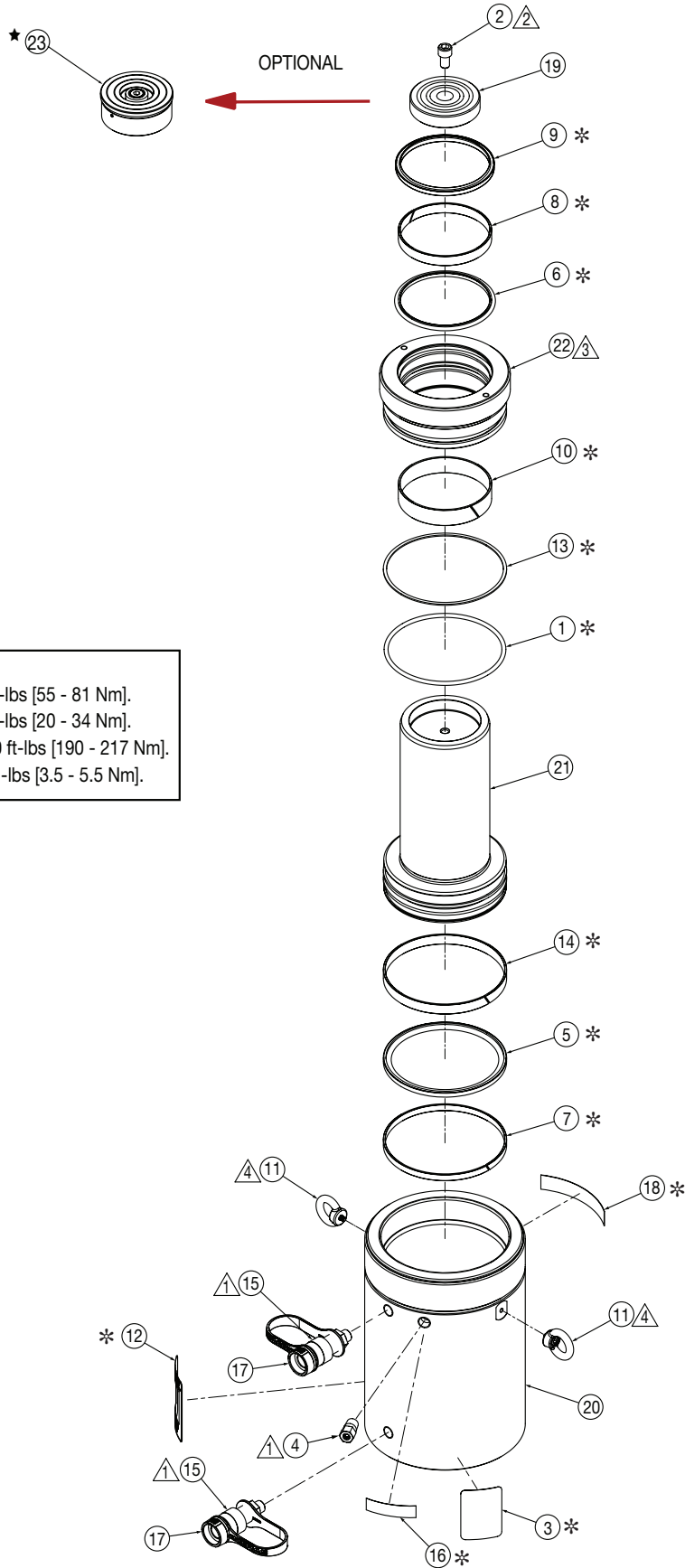
Enerpac recommends the installation of all parts included in a service assembly or repair kit to ensure optimum performance of the repaired product.



**Table of Contents:**

	Page	Page	
Figure 1, Model HCR-150 Short .....	2-3	Figure 3, Model HCR-200 Short .....	6-7
Figure 2, Model HCR-150 Tall .....	4-5	Figure 4, Model HCR-200 Tall .....	8-9

**Figure 1, Exploded View - Model HCR-150 Short**

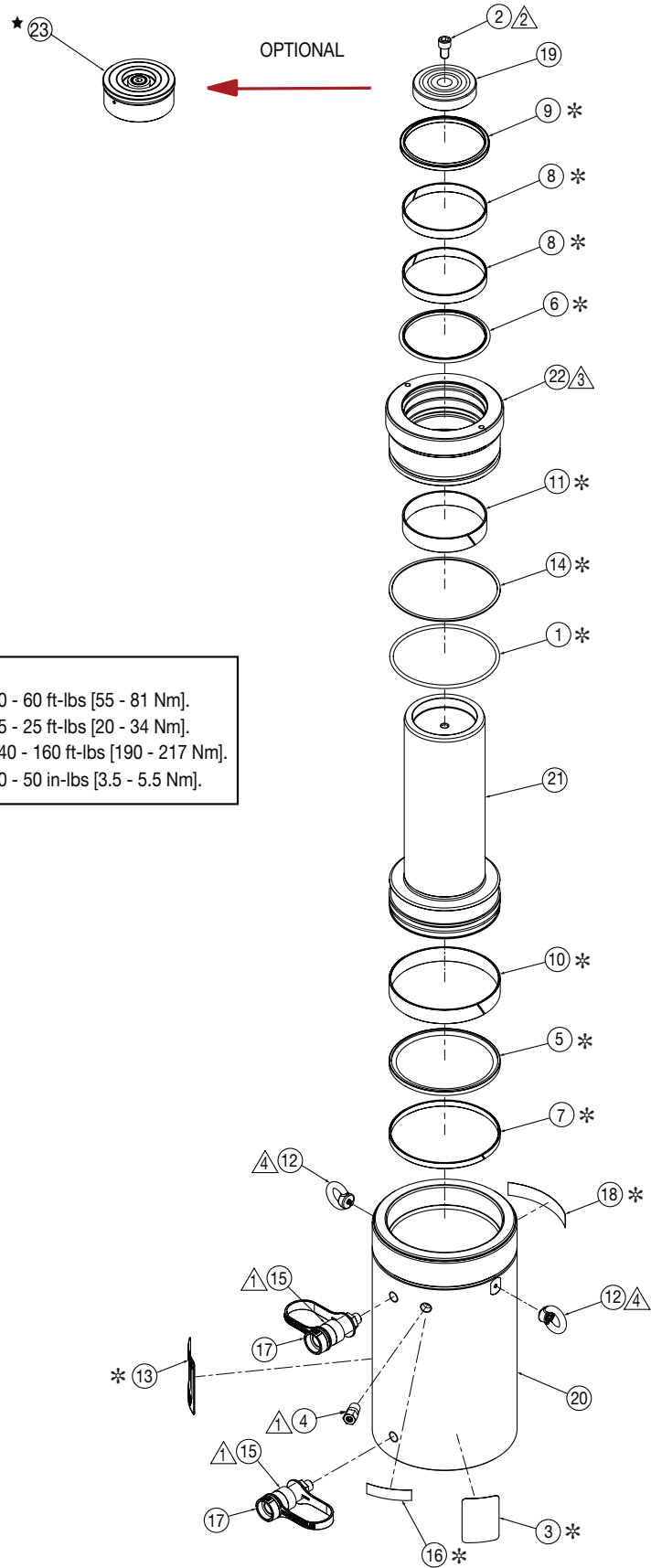


- Notes:**
- △1 Torque to 40 - 60 ft-lbs [55 - 81 Nm].
  - △2 Torque to 15 - 25 ft-lbs [20 - 34 Nm].
  - △3 Torque to 140 - 160 ft-lbs [190 - 217 Nm].
  - △4 Torque to 40 - 50 in-lbs [3.5 - 5.5 Nm].

**Repair Parts List for Figure 1**

<b>Item</b>	<b>Part Number</b>	<b>Qty.</b>	<b>Description</b>
1	* B1364503	1	O-Ring 151,77 x 5,33 Dash 361
2	CBE1221028-1A	1	M12 x 20 Long SHCS
3	* DA5625026	1	Warning Decal, 2.19" x 3.18"
4	DB8049900	1	Relief Valve Assembly
5	* DB8064076	1	Piston Seal 165 x 144 x 8,1
6	* DB8065076	1	Rod Seal 120 x 135,1 x 6,3
7	* DB8066155	1	Bearing, Piston 165 x 9,7
8	* DB8068155	1	Bearing, Rod 120 x 15
9	* DB8069776	1	Wiper 120 mm
10	* DB8071155	1	Bearing, Rod 120 x 25
11	DB8099667	2	Eyebolt, Rotating, M6
12	* DB8100026	1	Decal, Product Specification
13	* DB8121565	1	Back Up Ring 165 x 156,4 x 1,7
14	* DB8170155	1	Bearing Piston 165 x 15
15	CR400	2	Female Coupler
16	* DC6154026	1	Decal, Safety Warning
17	CD411D	2	Dust Cap
18	* DD2459026	1	Decal, Enerpac
19	HCR150045	1	Saddle HCR 150 Ton
20	N/A	1	Base HCG/HCR 150 Ton 50 mm
	N/A	1	Base HCG/HCR 150 Ton 100 mm
	N/A	1	Base HCG/HCR 150 Ton 150 mm
21	HCR1502040	1	Plunger HCG/HCR 150 Ton 50 mm
	HCR1504040	1	Plunger HCG/HCR 150 Ton 100 mm
	HCR1506040	1	Plunger HCG/HCR 150 Ton 150 mm
22	HCR1502044	1	Stop Ring HCG/HCR 150 Ton Short
★ 23	CATS150	1	Tilting Saddle 150 Ton
* Included in HCR150K1 Seal Kit. N/A - Not Available. ★Optional item			

**Figure 2, Exploded View - Model HCR-150 Tall**

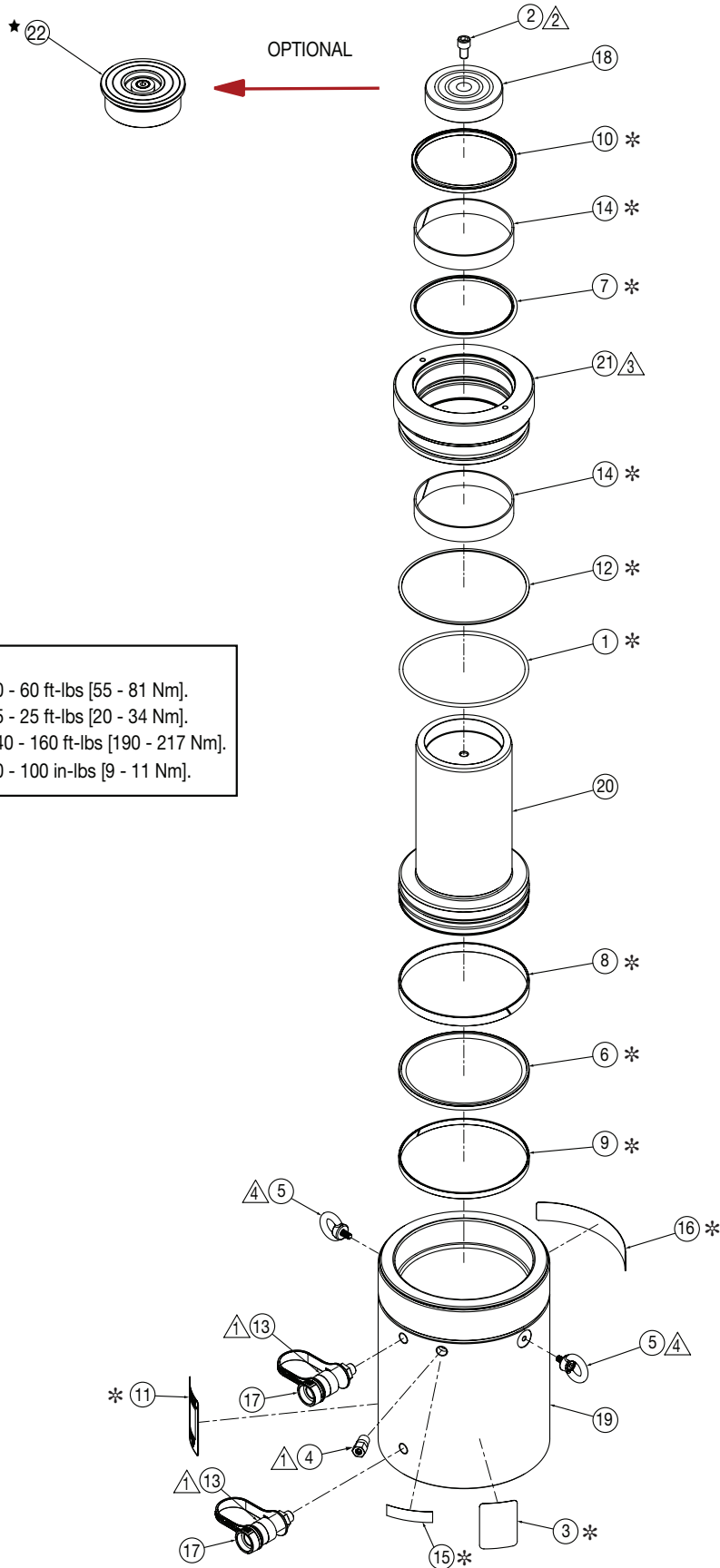


- Notes:**
- △ Torque to 40 - 60 ft-lbs [55 - 81 Nm].
  - △ Torque to 15 - 25 ft-lbs [20 - 34 Nm].
  - △ Torque to 140 - 160 ft-lbs [190 - 217 Nm].
  - △ Torque to 40 - 50 in-lbs [3.5 - 5.5 Nm].

Repair Parts List for Figure 2			
Item	Part Number	Qty.	Description
1	* B1364503	1	O-Ring 151,77 x 5,33 Dash 361
2	CBE1221028-1A	1	M12 x 20 Long SHCS
3	* DA5625026	1	Warning Decal, 2.19" x 3.18"
4	DB8049900	1	Relief Valve Assembly
5	* DB8064076	1	Piston Seal 165 x 144 x 8,1
6	* DB8065076	1	Rod Seal 120 x 135,1 x 6,3
7	* DB8066155	1	Bearing, Piston 165 x 9,7
8	* DB8068155	2	Bearing, Rod 120 x 15
9	* DB8069776	1	Wiper 120 mm
10	* DB8070155	1	Bearing, Piston 165 x 25
11	* DB8071155	1	Bearing, Rod 120 x 25
12	DB8099667	2	Eyebolt, Rotating, M6
13	* DB8100026	1	Decal, Product Specification
14	* DB8121565	1	Back Up Ring 165 x 156,4 x 1,7
15	CR400	2	Female Coupler
16	* DC6154026	1	Decal, Safety Warning
17	CD411D	2	Dust Cap
18	* DD2459026	1	Decal, Enerpac
19	HCR150045	1	Saddle HCR 150 Ton
20	N/A	1	Base HCG/HCR 150 Ton 200 mm
	N/A	1	Base HCG/HCR 150 Ton 250 mm
	N/A	1	Base HCG/HCR 150 Ton 300 mm
21	HCR1508040	1	Plunger HCG/HCR 150 Ton 200 mm
	HCR15010040	1	Plunger HCG/HCR 150 Ton 250 mm
	HCR15012040	1	Plunger HCG/HCR 150 Ton 300 mm
22	HCR1508044	1	Stop Ring HCG/HCR 150 Ton Tall
★ 23	CATS150	1	Tilting Saddle 150 Ton

\* Included in HCR150K2 Seal Kit. N/A - Not Available. ★Optional item

**Figure 3, Exploded View - Model HCR-200 Short**

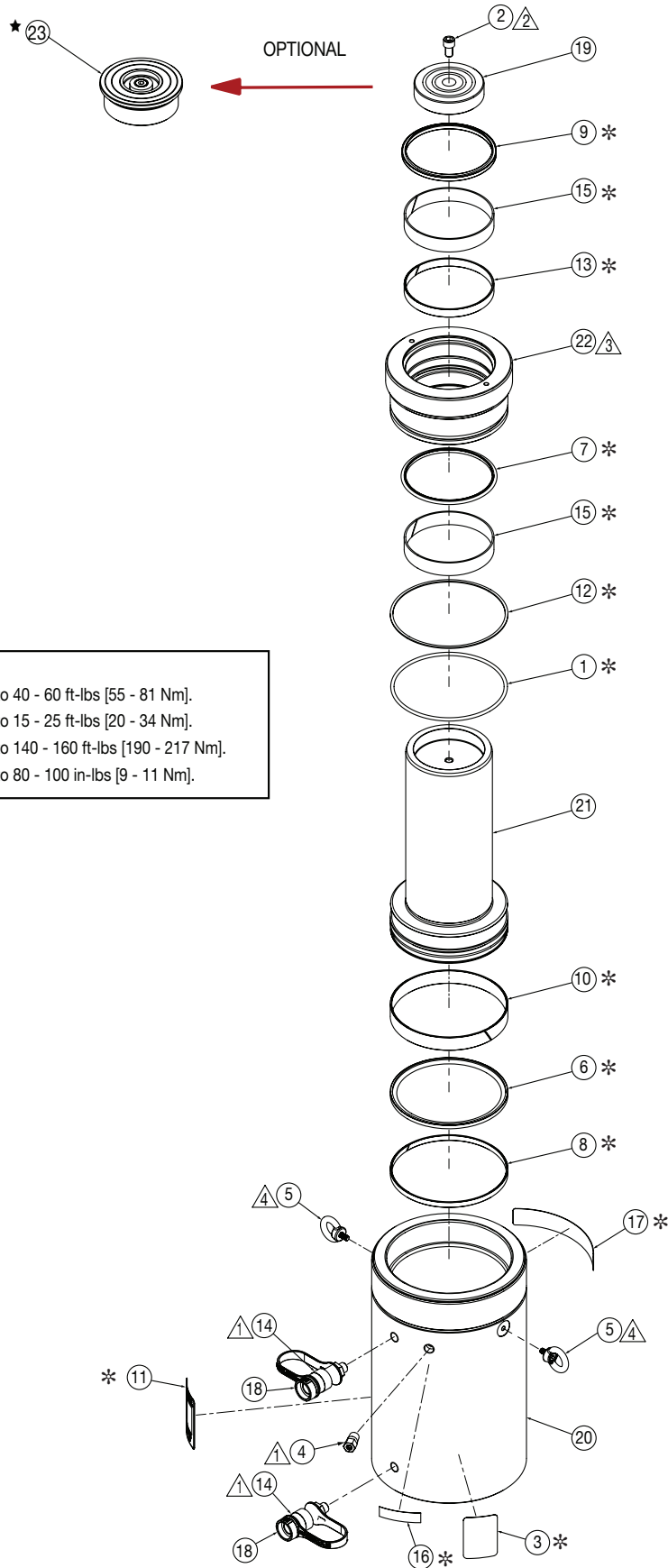


- Notes:**
- ▲ Torque to 40 - 60 ft-lbs [55 - 81 Nm].
  - ▲ Torque to 15 - 25 ft-lbs [20 - 34 Nm].
  - ▲ Torque to 140 - 160 ft-lbs [190 - 217 Nm].
  - ▲ Torque to 80 - 100 in-lbs [9 - 11 Nm].

**Repair Parts List for Figure 3**

<b>Item</b>	<b>Part Number</b>	<b>Qty.</b>	<b>Description</b>
1	* B1367503	1	O-Ring 177,17 x 5,33 Dash 365
2	CBE1221028-1A	1	M12 x 20 Long SHCS
3	* DA5625026	1	Warning Decal, 2.19" x 3.18"
4	DB8049900	1	Relief Valve Assembly
5	DB8050667	2	Eyebolt, Rotating, M8
6	* DB8072076	1	Piston Seal 190 x 169 x 8,1
7	* DB8073076	1	Rod Seal 140 x 155,1 x 6,3
8	* DB8074155	1	Bearing, Piston 190 x 15
9	* DB8075155	1	Bearing, Piston 190 x 9,7
10	* DB8077776	1	Wiper 140 mm
11	* DB8100026	1	Decal, Product Specification
12	* DB8123565	1	Back Up Ring 190 x 181,4 x 1,7
13	CR400	2	Female Coupler
14	* DC5442155	2	Rod Wear Ring RAC150
15	* DC6154026	1	Decal, Safety Warning
16	* DD1042026	1	Decal, Enerpac
17	CD411D	2	Dust Cap
18	HCR200045	1	Saddle HCR 200 Ton
19	N/A	1	Base HCG/HCR 200 Ton 50 mm
	N/A	1	Base HCG/HCR 200 Ton 100 mm
	N/A	1	Base HCG/HCR 200 Ton 150 mm
20	HCR2002040	1	Plunger HCG/HCR 200 Ton 50 mm
	HCR2004040	1	Plunger HCG/HCR 200 Ton 100 mm
	HCR2006040	1	Plunger HCG/HCR 200 Ton 150 mm
21	HCR2002044	1	Stop Ring HCG/HCR 200 Ton Short
★ 22	CATS200	1	Tilting Saddle 200 Ton
* Included in HCR200K1 Seal Kit. N/A - Not Available. ★Optional item			

**Figure 4, Exploded View - Model HCR-200 Tall**



- Notes:
- △1 Torque to 40 - 60 ft-lbs [55 - 81 Nm].
  - △2 Torque to 15 - 25 ft-lbs [20 - 34 Nm].
  - △3 Torque to 140 - 160 ft-lbs [190 - 217 Nm].
  - △4 Torque to 80 - 100 in-lbs [9 - 11 Nm].



**Repair Parts List for Figure 4**

<b>Item</b>	<b>Part Number</b>	<b>Qty.</b>	<b>Description</b>
1	* B1367503	1	O-Ring 177,17 x 5,33 Dash 365
2	CBE1221028-1A	1	M12 x 20 Long SHCS
3	* DA5625026	1	Warning Decal, 2.19" x 3.18"
4	DB8049900	1	Relief Valve Assembly
5	DB8050667	2	Eyebolt, Rotating, M8
6	* DB8072076	1	Piston Seal 190 x 169 x 8,1
7	* DB8073076	1	Rod Seal 140 x 155,1 x 6,3
8	* DB8075155	1	Bearing, Piston 190 x 9,7
9	* DB8077776	1	Wiper 140 mm
10	* DB8078155	1	Bearing, Piston 190 x 25
11	* DB8100026	1	Decal, Product Specification
12	* DB8123565	1	Back Up Ring 190 x 181,4 x 1,7
13	* DB8178155	1	Bearing Rod 140 x 15
14	CR400	2	Female Coupler
15	* DC5442155	2	Rod Wear Ring RAC150
16	* DC6154026	1	Decal, Safety Warning
17	* DD1042026	1	Decal, Enerpac
18	CD411D	2	Dust Cap
19	HCR200045	1	Saddle HCR 200 Ton
20	N/A	1	Base HCG/HCR 200 Ton 200 mm
	N/A	1	Base HCG/HCR 200 Ton 250 mm
	N/A	1	Base HCG/HCR 200 Ton 300 mm
21	HCR2008040	1	Plunger HCG/HCR 200 Ton 200 mm
	HCR20010040	1	Plunger HCG/HCR 200 Ton 250 mm
	HCR20012040	1	Plunger HCG/HCR 200 Ton 300 mm
22	HCR2008044	1	Stop Ring HCG/HCR 200 Ton Tall
★ 23	CATS200	1	Tilting Saddle 200 Ton

\* Included in HCR200K2 Seal Kit. N/A - Not Available. ★Optional item



[www.enerpac.com](http://www.enerpac.com)