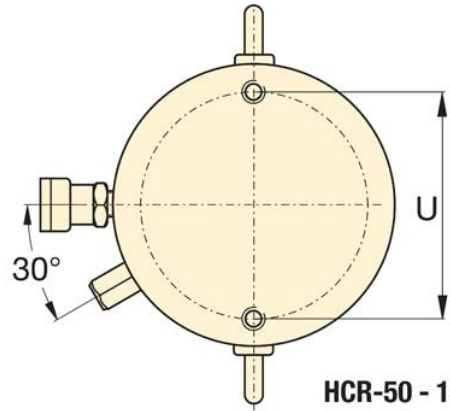
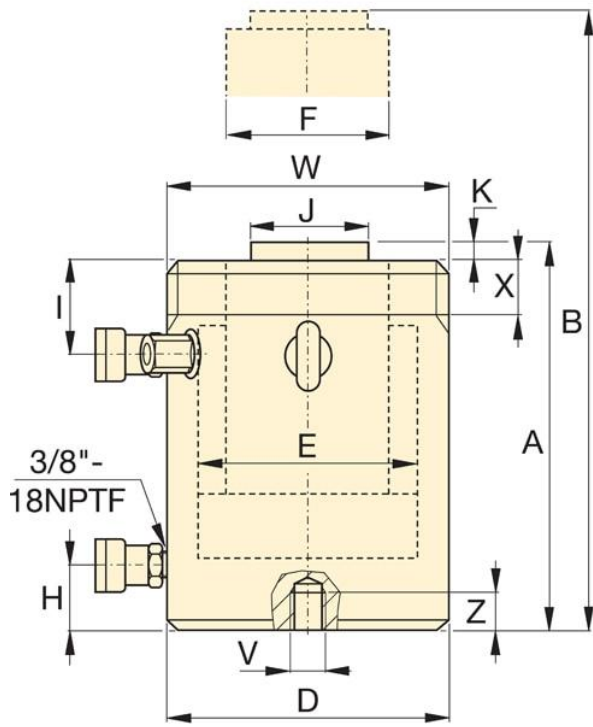


## Specifications

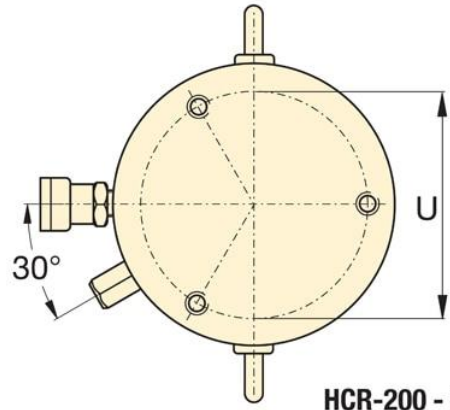
Units:	<b>Imperial</b>	Metric
Maximum Operating Pressure (psi)	10,150	
Capacity Class (tonnage)	200	
Maximum Cylinder Capacity Advance (tons)	223	
Stroke (in)	9.84	
Collapsed Height A (in)	18.03	
Extended Height B (in)	27.87	
Return Type	Double-Acting, Hydraulic Return	
Plunger Type	Solid	
Material	Steel	
Cylinder Effective Area Advance (in <sup>2</sup> )	43.95	
Oil Capacity Advance (in <sup>3</sup> )	432.55	
Oil Capacity Retract (in <sup>3</sup> )	197.70	
Sideload Resistance of Maximum Capacity (percentage)	10%	
Surface Treatment	Nitride	
Coupler	CR400 Coupler	
Weight (lbs)	338	

## Dimensions

Units:	<b>Imperial</b>	Metric
Collapsed Height A (in)	18.03	
Collapsed Height With Optional Tilt Saddle A1 (in)	18.74	
Optional Tilt Saddle Addition To Collapsed Height A1 (in)	0.71	
Optional Tilt Saddle Diameter J1 (in)	4.96	
Extended Height B (in)	27.87	
Outside Diameter D (in)	9.84	
Cylinder Bore Diameter E (in)	7.48	
Plunger Diameter F (in)	5.51	
Base to Advance Port H (in)	1.85	
Top to Retract Port (in)	3.82	
Saddle Diameter J1 (in)	4.45	
Saddle Protrusion from Plunger K (in)	0.12	
Saddle Maximum Tilt Angle Radius (degrees)	5	
Base Mounting Holes Thread V	M12 x 1,75	
Collar Thread Size W	M250 x 3	
Collar Thread Length X (in)	2.48	



**HCR-50 - 150 ton**



**HCR-200 - 300 ton**