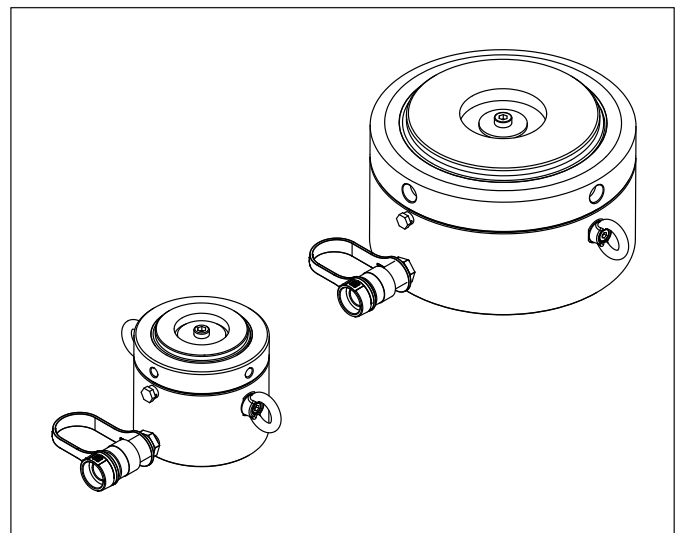


L4178 Rev. C 10/19

<i>Table of Contents:</i>	
<i>Section</i>	<i>Page</i>
1.0 IMPORTANT RECEIVING INSTRUCTIONS	1
2.0 SAFETY	1
3.0 CONFORMANCE TO NATIONAL AND INTERNATIONAL STANDARDS	3
4.0 PRODUCT DESCRIPTION	3
5.0 LIFTING THE CYLINDER	4
6.0 SETUP	4
7.0 AVOIDING SIDE LOAD	5
8.0 OPERATION	5
9.0 INSPECTION, MAINTENANCE & STORAGE	6
10.0 TROUBLESHOOTING	6
11.0 PRODUCT DATA.	7



Safety Alert Symbols are used in conjunction with certain Signal Words that call attention to safety messages or property damage messages and designate a degree or level of hazard seriousness. The Signal Words used in this manual are WARNING, CAUTION and NOTICE.

1.0 IMPORTANT RECEIVING INSTRUCTIONS

Visually inspect all components for shipping damage. Shipping damage is not covered by warranty. If shipping damage is found, notify carrier at once. The carrier is responsible for all repair and replacement costs resulting from damage in shipment.


2.0 SAFETY


2.1 Introduction


Read all instructions carefully. Follow all recommended safety precautions to avoid personal injury as well as damage to the product and/or damage to other property. Enerpac cannot be responsible for any damage or injury from unsafe use, lack of maintenance or incorrect operation. Do not remove warning labels, tags, or decals. In the event any questions or concerns arise, contact Enerpac or a local Enerpac distributor for clarification.


If you have never been trained on high-pressure hydraulic safety, consult your distributor or service center for information about an Enerpac Hydraulic Safety Course.

This manual follows a system of safety alert symbols, signal words and safety messages to warn the user of specific hazards. Failure to comply with these warnings could result in death or serious personal injury, as well as damage to the equipment or other property.

 The **Safety Alert Symbol** appears throughout this manual. It is used to alert you to potential physical injury hazards. Pay close attention to Safety Alert Symbols and obey all safety messages that follow this symbol to avoid the possibility of death or serious personal injury.

 **WARNING** Indicates a hazardous situation that, if not avoided, **could** result in death or serious personal injury.

 **CAUTION** Indicates a hazardous situation that, if not avoided, **could** result in minor or moderate personal injury.

 **NOTICE** Indicates information considered important, but not hazard related (e.g. messages relating to property damage). Please note that the Safety Alert Symbol will **not** be used with this signal word.

2.2 Hydraulic Cylinder Safety Precautions (LPL-Series)

 **WARNING**

Failure to observe and comply with the following precautions could result in death or serious personal injury. Property damage could also occur.

- Read and completely understand the safety precautions and instructions in this manual before operating the cylinder or preparing it for use. Always follow all safety precautions and instructions, including those that are contained within the procedures of this manual.
- Operating procedures will vary, depending on the system arrangement and the specific components being used. Always read, follow and completely understand all manufacturer's instructions when operating pumps, valves and all other devices used with the cylinders. Follow all safety precautions contained in the manufacturer's manuals.
- Always wear appropriate personal protective equipment (P.P.E.) when operating hydraulic equipment. Be sure to

wear eye protection, work gloves and protective clothing. Use of additional P.P.E. safety items such as dust mask, non-skid safety shoes, hard hat, and hearing protection (used as appropriate for the conditions) will reduce the chance of personal injuries. The use of these items may also be required by local regulations or laws.

- Do not handle pressurized hoses. Escaping oil under pressure can penetrate the skin. If oil is injected under the skin, see a doctor immediately.
- Do not pressurize disconnected couplers.
- Use hydraulic cylinders only in a coupled system. It is acceptable to use a cylinder with a disconnected coupler only if the load is mechanically supported by the cylinder lock nut, and all hydraulic pressure is completely relieved.
- When holding loads, be certain that the lock nut is turned down firmly against the cylinder base so that the load is mechanically supported. Also be sure that any hydraulic pressure is completely relieved.
- Do not remove or disable the pump relief valve.
- Do not remove or disable the cylinder relief valve (if equipped).
- The system operating pressure must not exceed the pressure rating of the lowest rated component in the system.
- Install pressure gauge(s) in the system to monitor operating pressure. It is your window to see what is happening in the system.
- Never set a relief valve to a higher pressure than the maximum rated pressure of the pump and cylinder. If ratings are different, relief valve setting should not exceed the setting of the lowest rated component (pump or cylinder).
- The LPL-Series cylinders are designed for a maximum working pressure of 10150 psi [700 bar]. Do not connect a pump with a higher pressure rating to these cylinders.
- The LPL-Series cylinders contain NO stop ring. Advance the plunger slowly to avoid hydraulically ejecting the plunger from the cylinder base. Stop advancing the plunger immediately if the maximum stroke indicator line appears. Refer to sections 6.4, 8.1 and 8.2 of this manual for additional information and precautions.
- Do not exceed equipment ratings. Never attempt to lift a load weighing more than the rated capacity of the cylinder. Overloading may cause equipment failure and possible personal injury.
- Be sure setup is stable before lifting load. Cylinders should be located on a firm and level surface capable of supporting the full load.
- As needed, use a cylinder base plate of appropriate size to provide added stability.
- On the LPL-Series cylinders, the base plate (if used) must be placed under the cylinder unattached. Do not weld, drill or otherwise modify the cylinder to attach a base plate or other support.
- Always perform a visual inspection of the cylinder before placing it into operation. If any problems are found, do not use the cylinder. Have the cylinder repaired and tested before it is returned to service.
- Never use a cylinder that is leaking oil. Do not use a cylinder that is damaged, altered or in need of repair.
- Always lift the cylinder using a hoist, crane or other suitable lifting device of sufficient rated capacity. Use only the supplied cylinder lifting eyes to attach the cylinder to the lifting device. Replace any missing or damaged lifting eyes.
- Allow only trained and experienced personnel to supervise and perform lifting and lowering procedures.
- Be certain that no persons are working on or near any cylinders before lifting or lowering of the load begins. Alert all personnel in advance that lifting or lowering is about to occur.
- Use suitable cribbing of rigid construction to hold loads.

- Never use a hydraulic cylinder as a shim or spacer in any lifting or pressing application.
- Be certain that the load is centered and covers the entire plunger saddle surface. Avoid situations where loads are not directly centered on the plunger saddle. The load may slip or fall, causing potential danger.
- Lift only dead weight loads. Avoid lifting live weight loads.
- Be especially careful when lifting loads such as partially filled storage tanks, in which the center of gravity could move or shift during lifting. Be aware that the distribution of some loads can change quickly and without warning.
- Do not use the cylinder to lift people. Do not allow people to be on top of the load during lifting or lowering.
- Keep all personnel clear of the work area while lifting or lowering is in progress. To avoid personal injury, keep hands and feet away from cylinder and load during operation.
- Maintain communication with the operator at all times during lifting or lowering to avoid accidents. Use hand signals, two-way radios or other appropriate forms of communication (as required by applicable laws and regulations) if the load is not visible to the operator.
- Operate pump and valve as required to ensure that the load is lifted and lowered evenly and at a controlled rate.
- Closely watch the load at all times during lifting and lowering. Stop lifting or lowering immediately if the load becomes unstable or appears to be lifting or lowering unevenly.
- Stay clear of loads supported only by hydraulics. As required, follow the lifted load with cribbing.
- Never allow persons to work under or near the load while the load is being supported hydraulically. After the load has been raised or lowered, it always must be blocked mechanically by the cylinder lock nut or via suitable cribbing.
- Always be certain that hydraulic pressure is fully relieved and that the load is fully removed from the cylinder(s) before disconnecting hydraulic hoses, loosening hydraulic fittings, or performing any cylinder disassembly or repair procedures.



Failure to observe and comply with the following precautions could result in minor or moderate personal injury. Property damage could also occur.

- Be careful to avoid damaging hydraulic hoses. Avoid sharp bends and kinks when routing hydraulic hoses. Do not exceed the minimum bend radius specified by the hose manufacturer. Using a bent or kinked hose will cause severe back-pressure. Sharp bends and kinks will internally damage the hose, leading to premature hose failure.
- Do not drop heavy objects on hoses. A sharp impact may cause internal damage to hose wire strands. Applying pressure to a damaged hose may cause it to rupture.
- Do not lift hydraulic equipment by the hoses or couplers. Use the cylinder lifting eyes and appropriately rated lifting equipment.
- Keep hydraulic equipment away from flames and heat. Excessive heat will soften packings and seals, resulting in fluid leaks. Heat also weakens hose materials and packings.
- For optimum performance, do not expose hydraulic equipment to temperatures of 150°F [65°C] or higher. Protect all hydraulic equipment from weld spatter.
- Immediately replace worn or damaged parts with genuine Enerpac parts. Enerpac parts are designed to fit properly and to withstand high loads. Non-Enerpac parts may break or cause the product to malfunction.

NOTICE

- Hydraulic equipment must only be serviced by a qualified hydraulic technician. For repair service, contact the Enerpac Authorized Service Center in your area.
- To help ensure proper operation and best performance, use of Enerpac oil is strongly recommended.

2.3 Crush and Pinch Point Hazard (LPL-Series)

⚠ WARNING Never reach in between the cylinder lock nut and the top of the cylinder base. Serious personal injury can occur if cylinder is retracted and hands, fingers or other body parts are present in this area. See Figure 1.

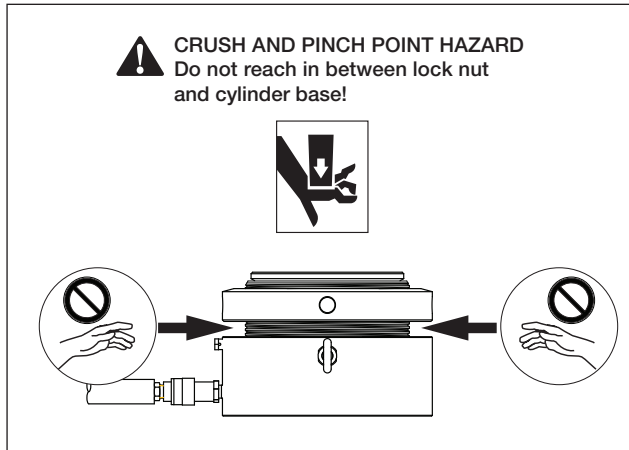


Figure 1, Crush and Pinch Point Hazard

2.4 Additional Safety References

Consult the applicable industry and/or government standards in your country or region for additional safety precautions and work rules applicable to hydraulic cylinders, jacks and other similar lifting equipment.

In the USA, refer to the following publications:

- Code of Federal Regulations - Title 29 Occupational Safety and Health Standards (U.S. Government Publishing Office, 732 North Capitol Street, NW, Washington, DC 20401-0001. www.gpo.gov).

- ASME B30.1 Standards - Jacks (American Society of Mechanical Engineers, Two Park Avenue, New York, NY 10016-5990. www.asme.org).

In the European Union, refer to the standards and directives listed in the product's EU Declaration of Incorporation. A copy of this document is packed separately with the cylinder.

3.0 CONFORMANCE TO NATIONAL AND INTERNATIONAL STANDARDS



Enerpac declares that this product has been tested and conforms to applicable standards and is compatible to all CE Requirements. A copy of an EU Declaration of Incorporation is enclosed with each shipment of this product.

4.0 PRODUCT DESCRIPTION

Enerpac LPL-Series low height lock nut cylinders are an ideal solution for a wide variety of commercial and industrial lifting applications.

All LPL-Series cylinders are single-acting, with hydraulic advance and load return. An integral lock nut allows the load to be mechanically supported when hydraulic pressure is relieved.

Capacities range from 68 to 575 US tons [606 to 5114 kN]. Refer to the product data markings on the cylinder base for the capacity rating of your cylinder model.

All standard production LPL-Series cylinders are designed for 10150 psi [700 bar] maximum working pressure.

The LPL-Series cylinders have no stop ring. A maximum stroke indicator line alerts the user when the plunger has reached its full allowable extension. In addition, a built-in stroke limiter port relieves hydraulic pressure in the event that the plunger maximum stroke limit is exceeded.

An integral tilt saddle is included on all models.

Refer to Section 11 of this manual for cylinder weights, oil volumes, dimensions and additional specifications.

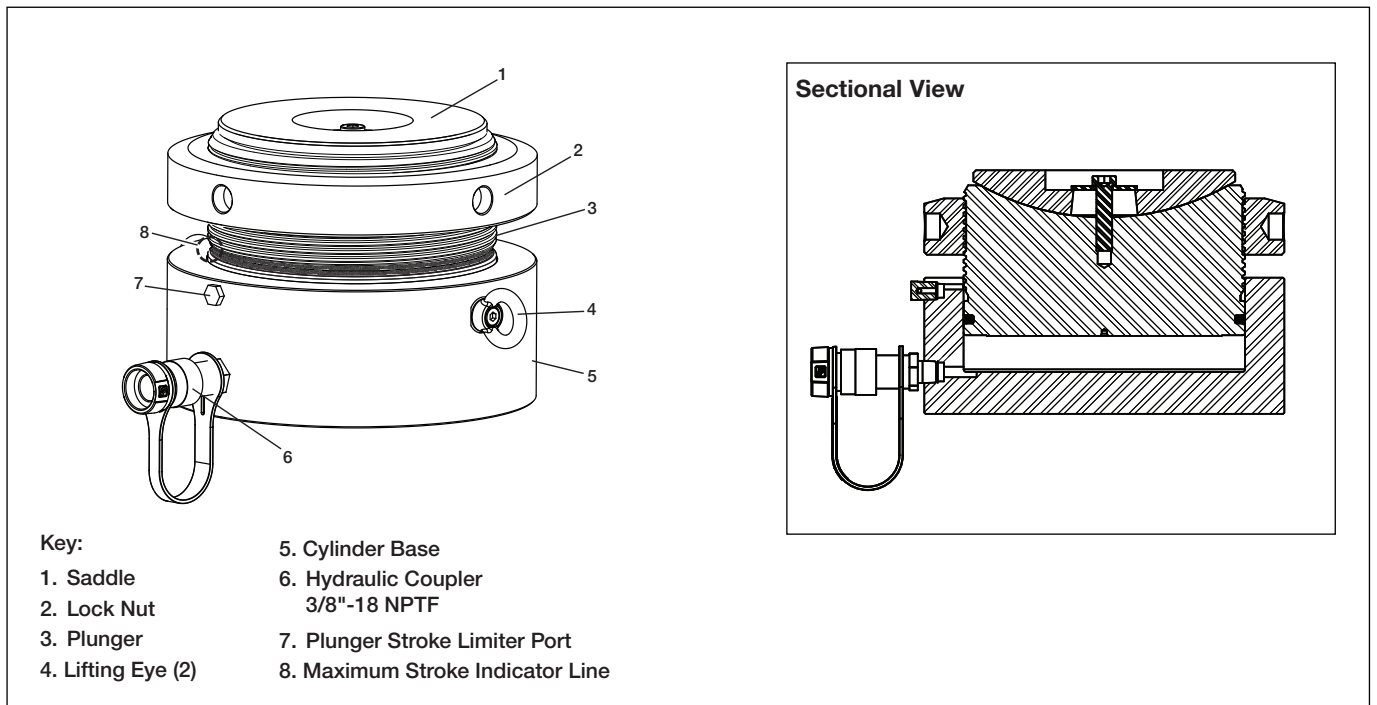


Figure 2, Major Features and Components

5.0 LIFTING THE CYLINDER

All LPL-Series cylinders are equipped with two pre-installed lifting eyes. Always use both lifting eyes when hoisting the cylinder.

Lifting straps or chains must be positioned at an angle where they will not interfere with the cylinder base. Use of a spreader bar is recommended. See Figure 3.

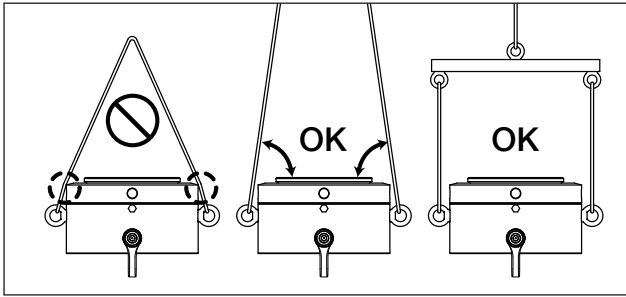


Figure 3, Lifting Arrangements (typical)

6.0 SETUP

6.1 Hydraulic Pump Requirements

Hydraulic pumps are sold separately and are not included with the cylinders.

A hand-operated hydraulic pump can be used to operate a smaller LPL-Series cylinder. However, a large size cylinder (or a series of coupled cylinders) will typically require the use of an electric, air or gas powered hydraulic pump.

Whichever type of pump is used, be certain that the pump reservoir is capable of holding a sufficient amount of hydraulic oil to operate the cylinder (or set of cylinders) to full extension.

The pump must be equipped with a pressure release valve. If greater control is required, a three way directional control valve may be used instead. Both valve types can be either manual or remote operated.

The pump must also be equipped with a separate safety pressure relief valve that opens if the system working pressure exceeds 10150 psi [700 bar]. Verify that the pump safety relief valve is adjusted to the proper setting before using the pump with the cylinder(s).

6.2 Hydraulic Oil Requirements

Use of Enerpac HF Series ISO 32 hydraulic oil is recommended. Enerpac HF oil is available at your local Enerpac Distributor or Authorized Service Center.

NOTICE

- Failure to use the correct oil type (high-quality ISO 32 hydraulic oil) may result in damage to cylinder hydraulic components and will void the product warranty.
- Be sure that the oil is clean. The oil cleanliness should be maintained to a maximum level of 18/16/13 per the ISO 4406 standard. If the oil develops a milky, cloudy or dark appearance, it should be changed immediately.
- To avoid overfilling and possible equipment damage, add oil to the pump reservoir only after all cylinder plungers are completely retracted and system pressure is released.
- When using a hand-operated pump to power the cylinder(s), it is permissible to use a high-quality brand of ISO 15 hydraulic oil. The lower oil viscosity will result in reduced pumping effort, especially in cold weather conditions.

6.3 Hydraulic Connections

All LPL-Series cylinders are equipped with one 3/8"-18 NPTF female hydraulic coupler. Refer to Figure 2, item 6 for location.

This coupler provides hydraulic flow for both advance and retract functions. It is compatible with all Enerpac HC Series hydraulic hoses.

Be certain that all hose couplers are fully connected, so that hydraulic flow is not blocked or restricted.

All hoses, fittings and other hydraulic components in the circuit must be rated for at least 10150 psi [700 bar] operation.

6.4 Air Removal

Trapped air must be removed from the hydraulic cylinder and hose before the system is placed into operation. If multiple cylinders are to be used, it is recommended that air be removed from each cylinder individually. Refer to the following procedure:

1. Place the cylinder in the vertical position, on a flat surface. Be sure that there is no load on the plunger.
2. Verify that the lock nut is positioned at the top of the plunger. This will allow the plunger to be fully retracted during the air removal process.
3. Position the hydraulic pump so it is located *higher* than the cylinder.

⚠ WARNING SLOWLY advance the cylinder plunger during the next step. The LPL-Series cylinder has NO stop ring. The plunger may be hydraulically ejected from the cylinder base if it is advanced too far. Serious personal injury, high pressure oil leakage and property damage could result.

4. Operate pump and valve to SLOWLY advance the plunger. STOP advancing the plunger immediately when the red maximum stroke indicator becomes visible.
5. Relieve hydraulic pressure. Then, manually retract the plunger into the cylinder base until it is fully retracted. Use of a hydraulic pump equipped with a vacuum valve will help aid plunger retraction.
6. Repeat steps 4 and 5 until the plunger advances smoothly.
7. Be sure that the plunger is fully retracted. Then, check the oil level in the pump hydraulic reservoir. If oil level has dropped, add additional oil to the reservoir as required.

NOTICE Refer to Section 6.2 of this document for hydraulic oil requirements. Follow the pump manufacturer's instructions when adding oil to the pump reservoir. To avoid overfilling, be certain that the cylinder plunger is fully retracted before adding any oil.

8. Repeat steps 1 through 7 for all cylinders to be used in the hydraulic circuit.

6.5 Cylinder Base Support

Be certain to provide adequate support for the cylinder base. All LPL-Series cylinders require a flat and stable lifting surface that is capable of supporting the load without settling. A **one-piece** steel plate of appropriate size must be placed between the cylinder base and the ground or other lifting surface. See Figure 4.

⚠ CAUTION Use of LPL-Series cylinders on unstable surfaces such as sand, mud or dirt may result in loss of load and/or damage to cylinder.

NOTICE Always use a one-piece steel plate under an LPL-Series cylinder. To ensure proper support, be sure that the plate extends under the entire surface of the cylinder base. The cylinder base may become deformed and permanently damaged if these instructions are not followed.

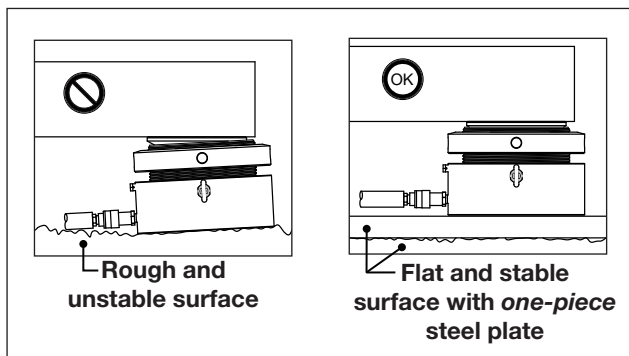


Figure 4, Cylinder Base Support

7.0 AVOIDING SIDE LOAD

Plan ahead to eliminate the presence of side load forces (offset loading) when using hydraulic cylinders. Side load can occur as a result of one or more of the following conditions:

- An eccentric load on the plunger.
- A horizontal load on a structure.
- A shifting center of gravity.
- Structure and/or cylinder misalignment.
- Non-synchronized lifting actions.
- Non-stable cylinder base support.

It is understood that some side load will occur in many lifting situations. However, the user should do everything possible to minimize or eliminate this condition.

The possibility of side load can be reduced by ensuring that the cylinder base is located on a flat and hard surface, capable of supporting the cylinder and the load without settling.

To help reduce the effects of minimal side load that cannot be eliminated, all LPL-Series cylinders are equipped with a tilt saddle. The tilt saddle helps compensate for initial misalignment of the load and the saddle surface. It reduces saddle edge loading, which can result in an undesirable off-center load being applied to the plunger.

8.0 OPERATION

Operation procedures will vary, depending on hydraulic pump type, valve configuration and other factors. For detailed operating instructions and related information, refer to the instruction sheet included with your pump. Also follow the additional instructions and precautions contained in sections 8.1, 8.2 and 8.3 of this manual.

8.1 Operating Precautions

⚠ WARNING

Failure to observe the following instructions and precautions could result in serious personal injury, oil leakage and/or property damage.

- LPL-Series cylinders are NOT equipped with a stop ring. Use these cylinders only in the vertical position with the plunger pointing upwards.
- Advance the plunger slowly. Immediately stop advancing the plunger if the maximum stroke indicator appears or if any oil begins flowing from the plunger stroke limiter port.
- Use extreme caution when using high oil flow pumps with LPL-Series cylinders. The plunger may advance more quickly than expected.
- Stay clear of pinch point area between lock nut and cylinder base at all times (refer to Section 2.3 for additional details).

NOTICE It is mandatory that the operator has a full understanding of all instructions, safety precautions and applicable safety regulations before operating any high force hydraulic equipment. If questions or concerns, contact your local Enerpac Distributor or Authorized Service Center.

8.2 Maximum Stroke Indicator Line and Plunger Stroke Limiter Port

The cylinder plunger contains a maximum stroke indicator line. When this line becomes visible, the plunger has reached its maximum allowable stroke. See Figure 5, item A.

The plunger stroke limiter port (or “overflow port”) is located near the top of the cylinder base. This port is a safety feature, designed to vent hydraulic oil from the cylinder if the plunger exceeds the cylinder’s maximum allowable stroke. See Figure 5, Item B.

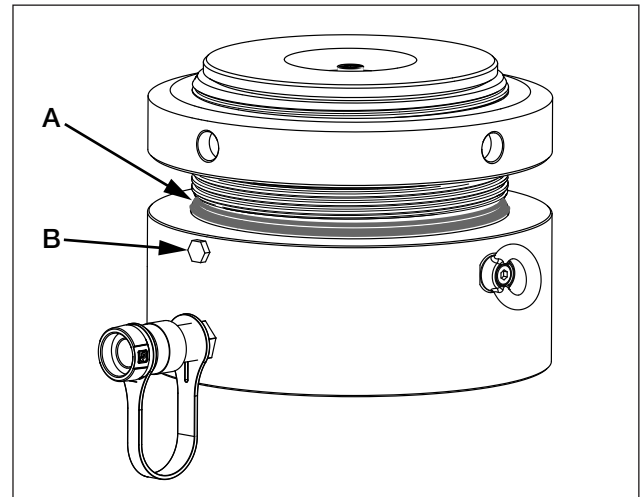


Figure 5, Maximum Stroke Indicator Line (A) and Plunger Stroke Limiter Port (B)

⚠ WARNING

Failure to observe the following instructions and precautions could result in catastrophic failure, erratic operation, high pressure oil leakage and/or damage to cylinder. Death or serious personal injury could result.

STOP advancing the plunger immediately. . .

- If the maximum stroke indicator line becomes visible.
- If oil flow occurs at the plunger stroke limiter port.

Advancing the cylinder an additional amount could result in the plunger being hydraulically ejected from the cylinder base, especially if the plunger is advanced quickly.

The plunger stroke limiter port contains a specially designed orifice fitting. Never cover or obstruct the orifice fitting passage. Never operate the cylinder with the orifice fitting removed. Never install a pipe plug or any other hydraulic fitting in place of the orifice fitting.

8.3 Operating Instructions

⚠ WARNING To prevent serious personal injury, keep hands, fingers and other body parts clear of pinch point area between lock nut and cylinder base during cylinder operation (refer to Section 2.3 for additional details). Be certain that plunger is not moving when tightening or loosening lock nut.

To advance: Operate pump and valve so that pressurized oil flow is directed in a controlled rate from the pump reservoir to the cylinder coupler.

To hold the load: Tighten the lock nut until it is snug against the top edge of the cylinder base. This will mechanically prevent the plunger from retracting when hydraulic pressure is relieved.

To loosen lock nut: Advance the plunger about 1/4 inch [6 mm] to remove any weight from the lock nut. Then, loosen the lock nut, using a tommy bar of the appropriate diameter.

To retract: Be sure that the locknut has been loosened a sufficient amount of turns, so that the plunger can be retracted

the desired amount. Then, operate pump and valve so that hydraulic oil is directed at a controlled rate from the cylinder coupler back to the pump reservoir.

Note that additional hydraulic components may be required to control the rate at which the plunger retracts under load.

NOTICE LPL-Series cylinders contain no plunger return spring. External force will be required to fully retract the plunger if it is not under load. A hydraulic pump equipped with a vacuum valve will help aid plunger retraction.

9.0 INSPECTION, MAINTENANCE & STORAGE

- Periodically check the hydraulic system for loose connections leaks and obvious problems. Replace any damaged components immediately.
- Monitor the hydraulic oil temperature during operation. Do not exceed oil temperatures above 150°F [65°C].
- Install dust caps and plugs on all hydraulic couplings after the hydraulic hose is disconnected from the cylinder.
- Keep all hydraulic components clean.
- Periodically check that the orifice at the plunger stroke limiter port is free of dirt or other obstructions.
- Periodically check the tilt saddle for free movement. If

required, disassemble, clean and lubricate the tilt saddle. Use white lithium grease.

- Change the hydraulic oil at the recommended interval shown in the pump instruction sheet. Change the oil immediately if contamination is suspected.
- Store cylinders in the vertical position, in a clean, dry and secure location. Keep stored cylinders and hoses away from heat and direct sunlight.
- If repairs are required, refer to the Enerpac website for the repair parts sheet applicable to your cylinder model.

NOTICE Hydraulic equipment must only be serviced by a qualified hydraulic technician. For repair service, contact the Enerpac Authorized Service Center in your area.

10.0 TROUBLESHOOTING

Refer to the troubleshooting guide when diagnosing cylinder operational problems. Please note that the troubleshooting guide is not all-inclusive, and should be considered only as an aid to help diagnose the most common possible problems.

For repair service, contact your nearest Enerpac Authorized Service Center. As required, also refer to the troubleshooting information provided with your hydraulic pump or power unit.

Troubleshooting Guide		
Symptom	Possible Cause	Solution
1. Plunger will not advance.	a. Pump release valve open.	Close pump release valve.
	b. Directional control valve not in proper position.	Shift directional control valve to proper position.
	c. Coupler not fully tightened.	Tighten coupler.
	d. Pump oil level is low.	Add oil to pump reservoir as required. See Section 6.2.
	e. Pump malfunctioning.	Repair or replace pump as required.
	f. Cylinder load rating too low for application.	Use a cylinder with a higher load rating.
	g. Cylinder seals leaking.	Repair or replace cylinder.
2. Plunger advances only part way.	a. Oil level in pump is low.	Add oil to pump reservoir as required. See Section 6.2.
	b. Coupler is not fully tightened.	Tighten coupler.
	c. Cylinder plunger binding.	Repair or replace cylinder.
3. Plunger advances erratically.	a. Air in hydraulic system.	Remove air from hydraulic system. See Section 6.4.
	b. Cylinder plunger binding.	Repair or replace cylinder.
4. Plunger advances more slowly than normal.	a. Leaking connection.	Repair leaking connection.
	b. Coupler not fully tightened.	Tighten coupler.
	c. Pump malfunctioning.	Repair or replace pump as required.
5. Plunger advances, but will not hold.	a. Pump malfunctioning.	Repair or replace pump as required.
	b. Leaking connection.	Repair leaking connection.
	c. Incorrect system set-up.	Check hose connections at pump and cylinders.
	d. Cylinder seals leaking.	Repair or replace cylinder.
6. Cylinder leaks oil.	a. Loose connection.	Tighten or repair connection.
	b. Oil flowing from plunger stroke limiter port. (plunger has exceeded maximum stroke)	Stop advancing plunger immediately when maximum stroke indicator line appears.
	c. Worn or damaged cylinder seals.	Repair or replace cylinder.
	d. Internal cylinder damage.	Repair or replace cylinder.
7. Plunger will not retract or retracts more slowly than normal.	a. Pump release valve closed.	Open pump release valve.
	b. Directional control valve not in proper position.	Shift directional control valve to proper position.
	c. Lock nut not loosened.	Loosen lock nut a sufficient amount of turns.
	d. Pump reservoir is overfilled.	Drain oil from pump reservoir as required.
	e. Improper hose connections.	Check hose connections.
	f. Narrow hose restricting oil flow.	Replace with larger diameter hose.
	g. Cylinder plunger binding and/or internal damage.	Repair or replace cylinder.

11.0 PRODUCT DATA

11.1 Dimensions - Imperial (See Figure 6)

Cylinder Model Number	Collapsed Height	Extended Height	Outside Diameter	Cyl. Bore Diameter	Plunger Diameter (threaded)	Base to Advance Port	Std. Saddle Diameter	Saddle Protusion from Plunger	Saddle Max. Tilt Angle	Lock Nut Height
	A	B	D	E	F	H	J	K	R	S
	in	in	in	in	mm	in	in	in	degrees	in
LPL-602	4.94	6.91	5.51	4.13	TR 105 x 4	0.75	3.78	0.26	5	1.10
LPL-1002	5.39	7.36	6.81	5.31	TR 135 x 6	0.83	4.96	0.31	5	1.22
LPL-1602	5.83	7.60	8.66	6.69	TR 170 x 6	1.06	6.30	0.35	5	1.57
LPL-2002	6.10	7.87	9.65	7.48	TR 190 x 6	1.18	7.09	0.39	5	1.69
LPL-2502	6.24	8.01	10.83	8.46	TR 215 x 6	1.26	7.87	0.45	5	1.69
LPL-4002	7.01	8.78	13.78	10.63	TR 270 x 6	1.56	9.84	0.45	4	2.17
LPL-5002	7.56	9.33	15.75	12.01	TR 305 x 6	1.91	11.42	0.39	3	2.42

11.2 Dimensions - Metric (See Figure 6)

Cylinder Model Number	Collapsed Height	Extended Height	Outside Diameter	Cyl. Bore Diameter	Plunger Diameter (threaded)	Base to Advance Port	Std. Saddle Diameter	Saddle Protusion from Plunger	Lock Nut Height	Lock Nut Height
	A	B	D	E	F	H	J	K	S	S
	mm	mm	mm	mm	mm	mm	mm	mm	degrees	mm
LPL-602	126	176	140	105	TR 105 x 4	19	96	7	5	28
LPL-1002	137	187	173	135	TR 135 x 6	21	126	8	5	31
LPL-1602	148	193	220	170	TR 170 x 6	27	160	9	5	40
LPL-2002	155	200	245	190	TR 190 x 6	30	180	10	5	43
LPL-2502	159	204	275	215	TR 215 x 6	32	200	12	5	43
LPL-4002	178	223	350	270	TR 270 x 6	40	250	12	4	55
LPL-5002	192	237	400	305	TR 305 x 6	49	290	10	3	62

11.3 Specifications - Imperial

Cylinder Model Number	Stroke	Cylinder Class	Maximum Capacity		Effective Area	Oil Capacity	Weight
	in		US Ton	lb			
LPL-602	1.97	60	68	136228	13.42	26.4	33
LPL-1002	1.97	100	113	225194	22.19	43.7	54
LPL-1602	1.77	160	179	357097	35.18	62.3	94
LPL-2002	1.77	200	223	446062	43.95	77.9	121
LPL-2502	1.77	250	286	571170	56.27	99.7	155
LPL-4002	1.77	400	450	900774	88.75	157.2	284
LPL-5002	1.77	500	575	1,149,445	113.25	200.6	404

11.4 Specifications - Metric

Cylinder Model Number	Stroke	Cylinder Class	Maximum Capacity		Effective Area	Oil Capacity	Weight
	mm		kN	Tonnes			
LPL-602	50	60	606	62	86.6	433.0	15
LPL-1002	50	100	1002	102	143.1	715.7	25
LPL-1602	45	160	1589	162	227.0	1021.4	43
LPL-2002	45	200	1985	202	283.5	1275.9	55
LPL-2502	45	250	2541	259	363.1	1633.7	70
LPL-4002	45	400	4008	409	572.6	2576.5	129
LPL-5002	45	500	5114	522	730.6	3287.8	183

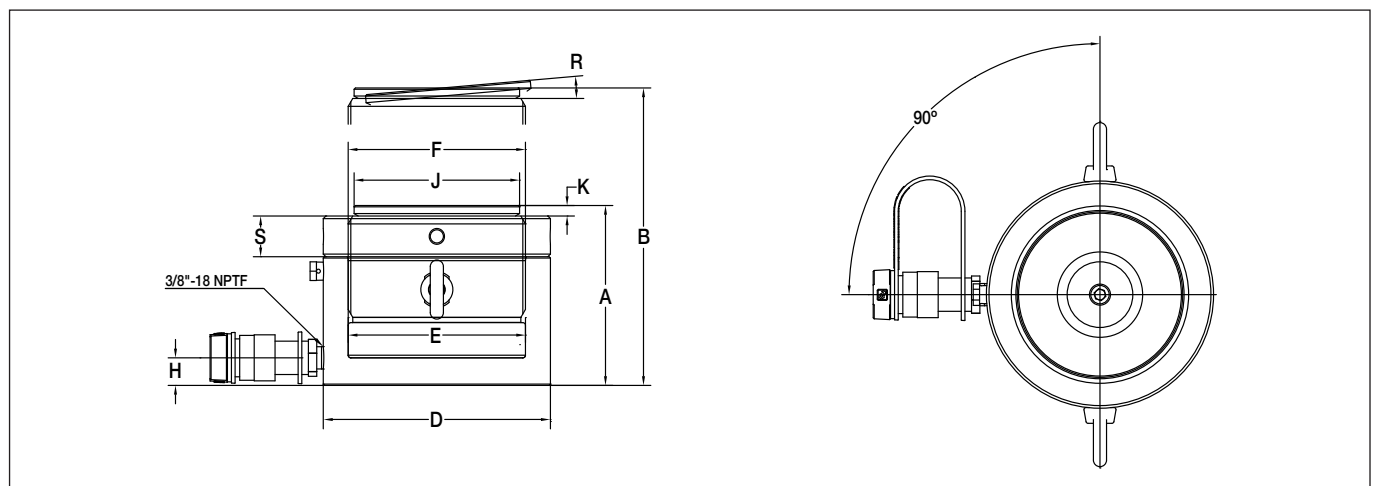


Figure 6, Dimensions - LPL-Series

ENERPAC 
www.enerpac.com