

To Protect Your Warranty, Use Only ENERPAC Hydraulic Oil.

Enerpac recommends that all kit components be installed to insure optimum performance of the repaired product.

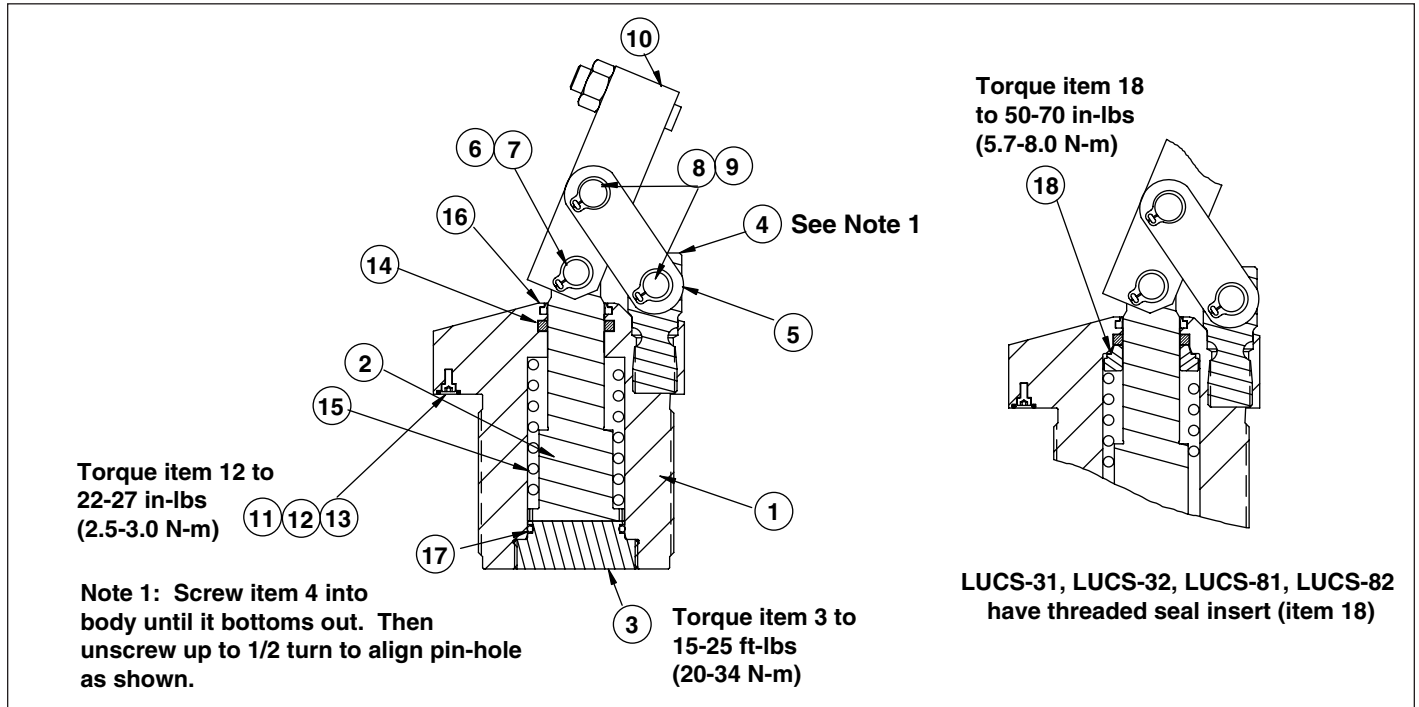


Figure 1, Single acting (LUCS) models

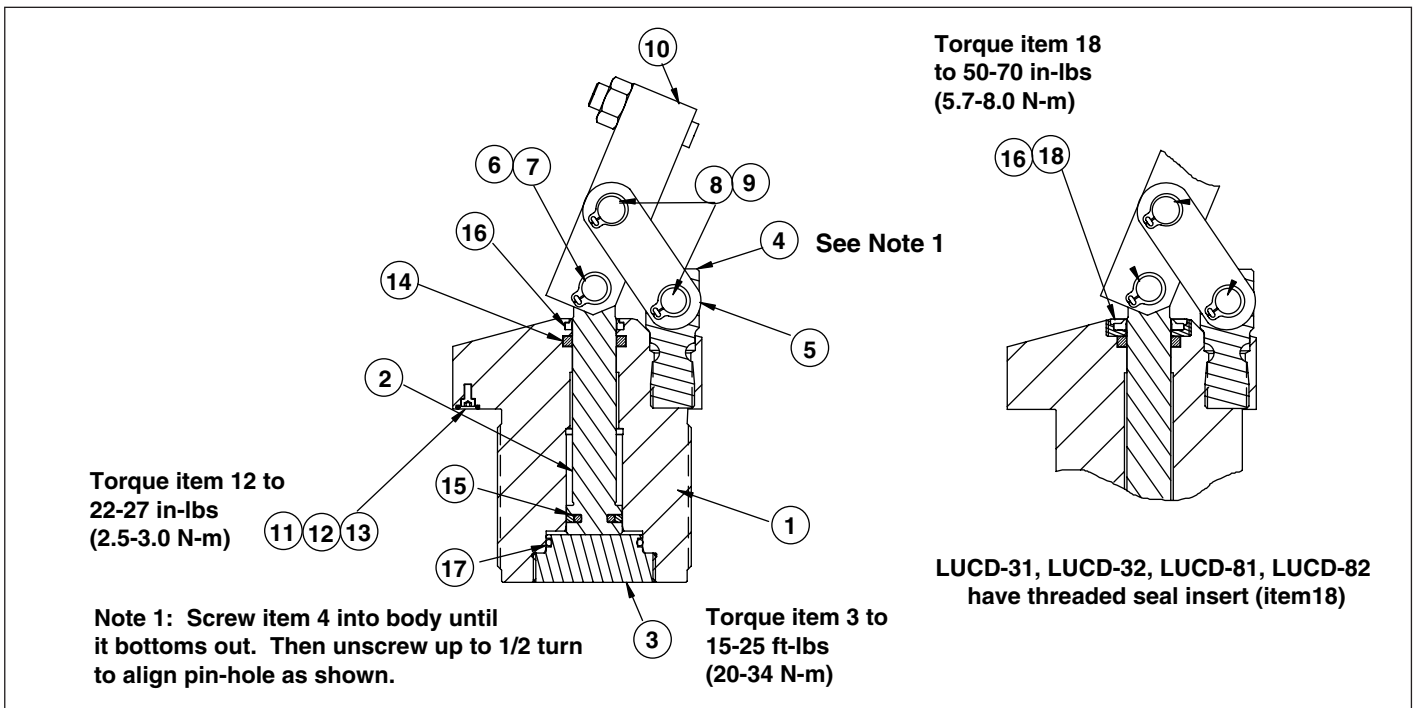


Figure 2, Double acting (LUCD) models

Repair Parts List for Figure 1 and 2

Item	Part Number					Qty.	Description
	Model -31 or -32	Model -81 or -82	Models-121 or -122	Models -191 or-192	Models -281 or - 282		
1	Not available separately. Replace complete clamp					1	Cylinder Base
2	DC5376040	DC5377040	DC5378040	DC5379040	DC5380040	1	Plunger (single-acting)
	DC5386040	DC5387040	DC5388040	DC5389040	DC5390040	1	Plunger (double-acting)
3	DC6374044	DC6375044	DC6376044	DC6377044	DC6378044	1	Base Plug
4	DC6436338	DC6437338	DC6438338	DC6439338	DC6440338	1	Anchor Post
5	DC5302062	DC5308062	DC5309062	DC5310062	DC5311062	2	Link
6	DC5300061	DC5312061	DC5313061	DC5314061	DC5315061	1	Short Pin
7	†CCA1050044-2A	†CCA1050044-2A	†CCA1080044-2A	†CCA1080044-2A	†CCA1120044-2A	2	E-clip, Short Pin
8	DC5301061	DC5316061	DC5317061	DC5318061	DC5319061	2	Long Pin
9	†CCA1050044-2A	†CCA1080044-2A	†CCA1080044-2A	†CCA1120044-2A	†CCA1120044-2A	4	E-clip, Long Pin
10	LCAS32	LCAS82	LCAS122	LCAS192	LCAS282	1	Clamp Arm (Standard)
	LCAL32	LCAL82	LCAL122	LCAL192	LCAL282	1	Clamp Arm (Ext Length)
11	†PA1286167	†PA1286167	†PA1286167	†PA1286167	†PA1286167	1	Copper Gasket (qty. of 2 for D/A)
12	†CCA311028-1A	†CCA311028-1A	†CCA311028-1A	†CCA311028-1A	†CCA311028	1	SHC Screw M3 (qty. of 2 for D/A)
13	†B1010803	†B1010803	†B1010803	†B1010803	†B1010803	1	O Ring (qty. or 2 for D/A)
14	★DC6497041	★DC6498041	★DC6499041	★DC6500041	★DC6501041	1	Rod Seal (single-acting)
	★★DC6502041	★★DC6503041	★★DC6504041	★★DC6505041	★★DC6506041	1	Rod Seal (double-acting)
15	DC6624110	CZ784110	DC7299110	DC6625110	DC6623110	1	Spring (single-acting)
	★★DC6517041	★★DC6518041	★★DC6519041	★★DC6520041	★★DC6521041	1	Piston Seal (double-acting)
16	★DC6507776	★DC6508776	★DC6509776	★DC6510776	★DC6511776	1	Rod Wiper (single-acting)
	★★DC6512776	★★DC6513776	★★DC6514776	★★DC6515776	★★DC6516776	1	Rod Wiper (double-acting)
17	★★B1020803	★★B1215803	★★B1126803	★★B1222803	★★B1225803	1	O Ring
18	DC6617044	DC6618044	-	-	-		Seal Insert (single-acting)
	DC6619044	DC6620044	-	-	-		Seal Insert (double-acting)
	B1013028	B1353028	B1353028	B1075028	B1145028		Mounting Bolts - Imperial (not shown)
	CCA625028-1A	CCA827028-1A	CCA827028-1A	CCA1029028-1A	CCA1233028-1A		Mounting Bolts - Metric (not shown)
★	LDS-3K	LDS-8K	LDS-12K	LDS-19K	LDS-28K		★ Items included in seal kit for single acting
★★	LDD-3K	LDD-8K	LDD-12K	LDD-19K	LDD-28K		★★ Items included in seal kit for double acting
†	† Items included in seal kit for both single acting and double acting						