



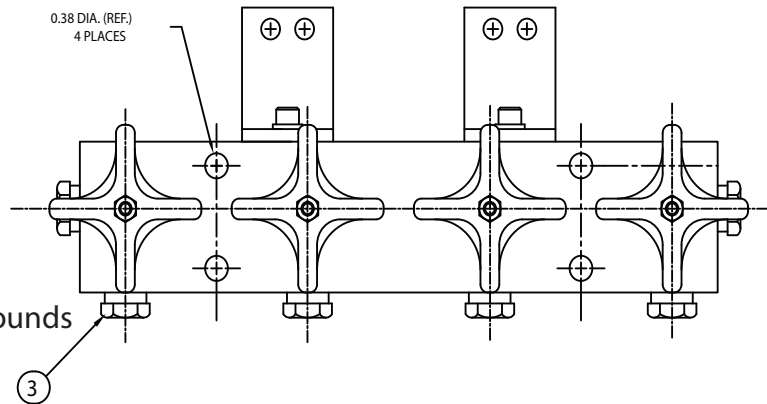
WWW.TKSIMPLEX.COM

TECHNICAL REPAIR PART SHEET

M4A

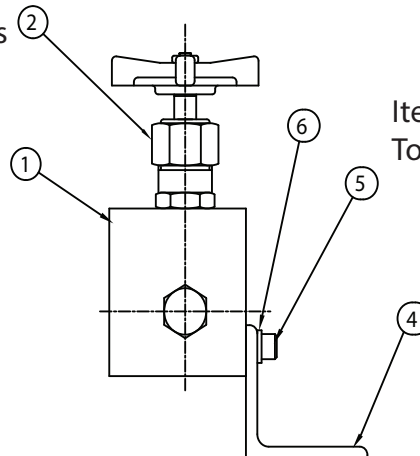
4 Port Manifold

PART SHEET NUMBER	REVISION NUMBER	DATE CODE RANGE	DOCUMENT DATE
TD133	B	N/A	08/16



Item 3  
Torque to 68-82 Foot Pounds

Item 2  
Torque to 180-220 Inch Pounds



Item 5  
Torque to 68-82 Inch Pounds

Item #	Description	Part #	Qty.
1	4 Valve Manifold	45345	1
2	S-210 Cartridge Valve	45347	4
3	Plug	87145	6
4	Angle Bracket	DS1010630	2
5	Screw	6011469	2
6	High Collar 1/4 Lock Washer	84927	2



To maintain your warranty:  
Have your products inspected and repaired by an SIMPLEX Authorized Service Center.  
Visit [www.tksimplex.com](http://www.tksimplex.com) to locate the nearest one.

