

L2109 Rev. D 10/00

For Models MCA62, WCA62, WCA64, MCA64, WPA62, MPA62, WPA64, MPA64 Date Codes beginning with the letter "O".
For Model WCA82 Date Codes beginning with "A".

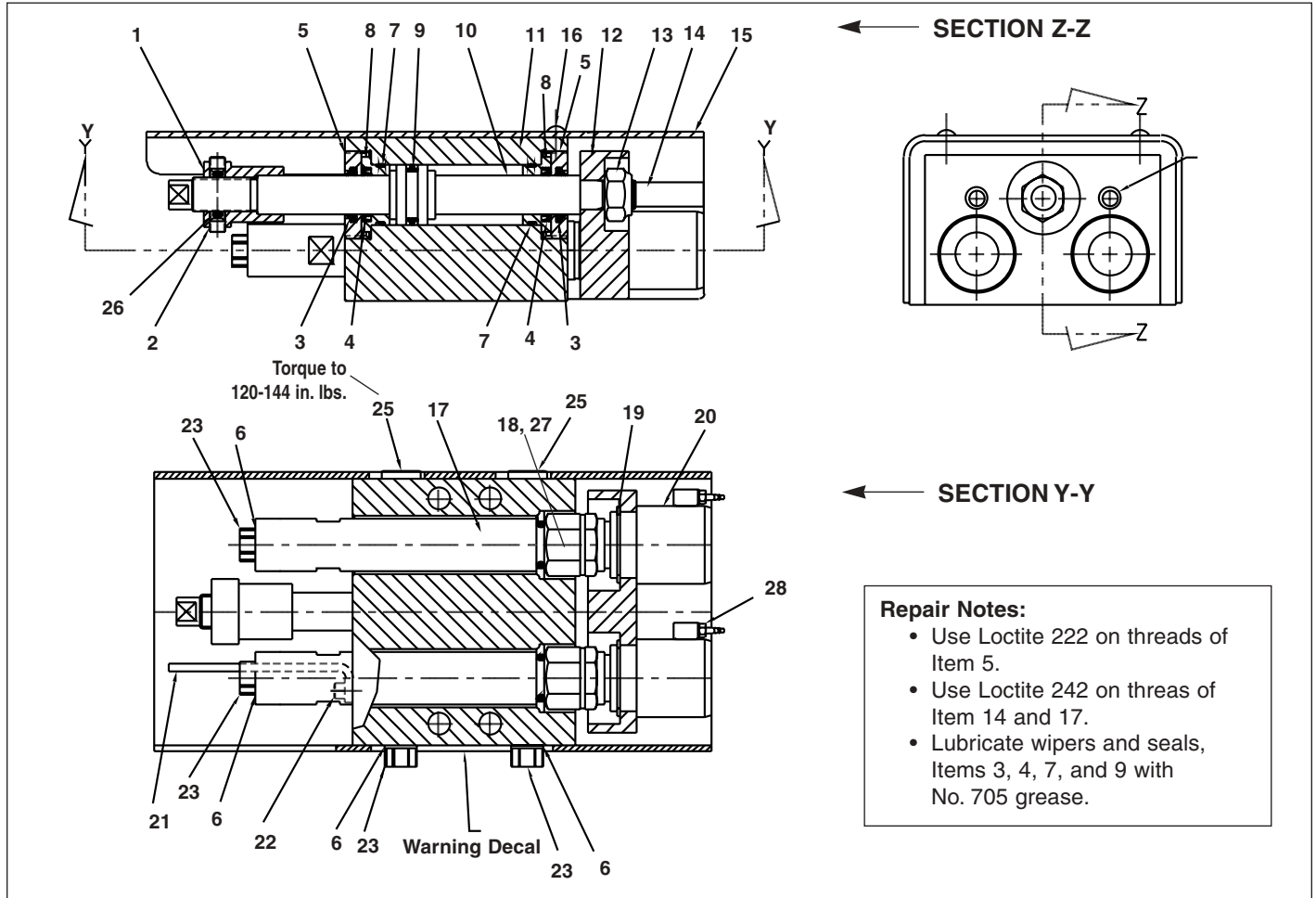


Figure 1, Two-Port Base Station Models WCA62, MCA62

Repair Parts List for Figure 1

Item	WCA62/MCA62	Qty.	Description	Item	WCA62/MCA62	Qty.	Description
1	CV963039	1	Sensor Bushing	15	CY121101	1	Protection Plate
2	CZ137028	2	Set Screw	16	CBA413028-1E	1	Button HeadCap Screw
3	★BSS6820D	2	Wiper	17	CY119038	2	Adaptor
4	★CS732041	2	U-cup	18	★DA10722108	2	Washer
5	CV450044	2	Stop-ring	19	★CCA1027044-1A	2	Retaining Ring
6	B1007503	4	O-ring (WCA62 & WCA 82 only)	20	CDF6	2	Coupler
7	★B1020803	2	O-ring	21	CV974111	1	Bracket
8	CV449044	2	Stop-ring	22	CBA515028-1D	2	Screw
9	★B1210513	1	GT Ring	23	B1023271/CV853271	4	Shipping Plug
10	CV939040	1	Plunger	25	B1003006/CS235006	2	Hex Socket Plug/Shipping Plug
11	CV118005	1	Base (Imperial)	26	A8012015	2	Ball
12	CV940101	1	Coupler Plate	27	★B1111903	2	O-ring
13	CBE1120120-2A	1	Nut	28	FZ2050	2	Nozzle
14	CV965149	1	Guide Rod				

★ Items included in and available only as part of Repair Kit MCA62K.

Repair Notes:

- Use Loctite 222 on threads of Items 5, 14, and 28.
- Use Loctite 242 on threads of Item 17.
- Lubricate wipers and seals, Items 3, 4, 7, and 9 with No. 705 grease.

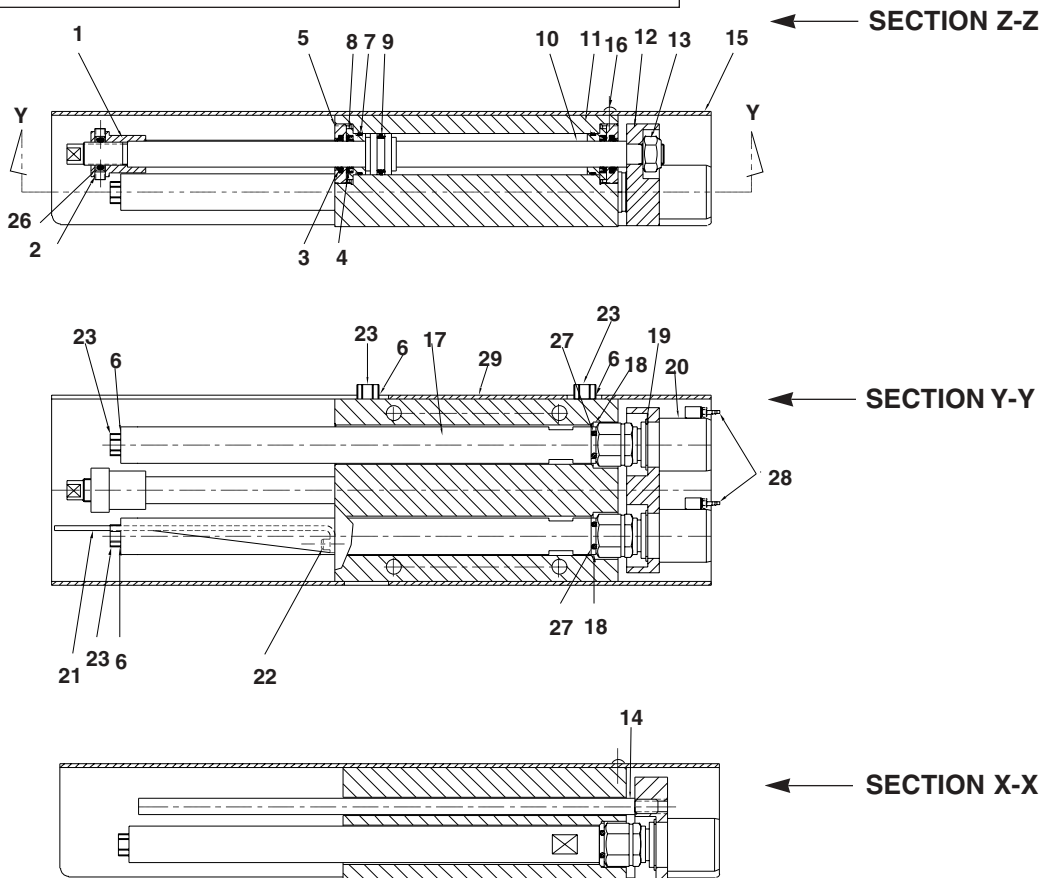


Figure 2, Two-Port Base Station Model WCA82

Repair Parts List for Figure 2

Item	WCA82	Qty.	Description	Item	WCA82	Qty.	Description
1	CV963039	1	Sensor Bushing	14	PA2052149	1	Guide Rod
2	CZ137028	2	Set Screw	15	PA2524101	1	Protection Plate
3	★ BSS6820D	2	Wiper	16	CBA413028-1E	1	Button Head Cap Screw
4	★ CS732041	2	U-cup	17	DC150038	2	Adaptor
5	CV450044	2	Stop-ring	18	★ DA10722108	2	Washer
6	★ BJ1007503	4	O-ring (WCA62 & WCA 82 only)	19	★ CCA1027044-1A	2	Retaining Ring
7	★ B1020803	2	O-ring	20	CDF6	2	Coupler
8	CV449044	2	Stop-ring	21	DC160111	1	Bracket
9	★ B1210513	1	GT Ring	22	CBA515028-1D	2	Screw
10	DC153040	1	Plunger	23	B1023271	4	Shipping Plug
11	PA2051005	1	Base (Imperial)	26	A8012015	2	Ball
12	DC151101	1	Coupler Plate	27	★ B1111903	2	O-ring
13	CBE1120120-2A	1	Nut	28	FZ2050	2	Nozzle

★ Items included in and available only as part of Repair Kit MCA62K.

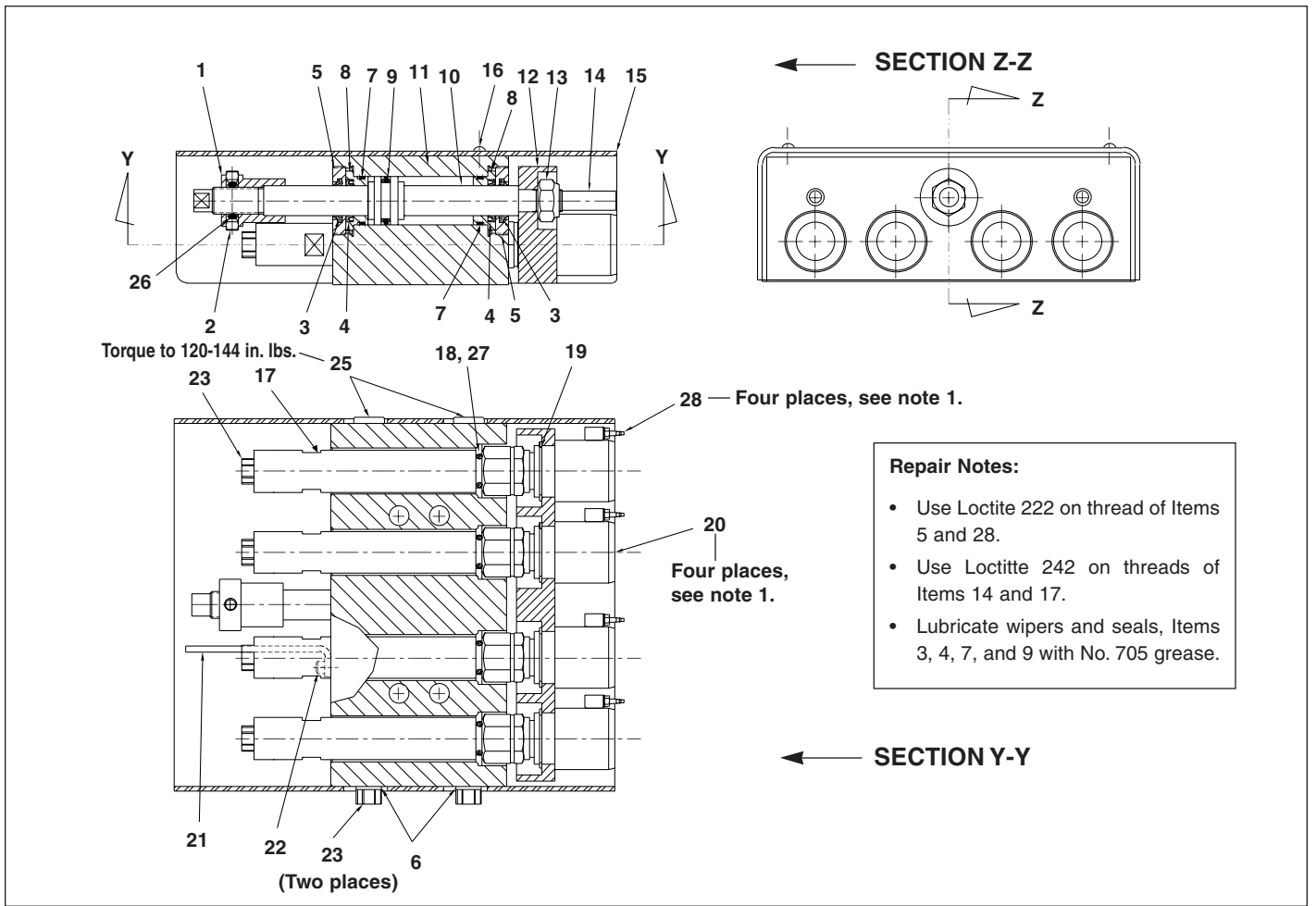


Figure 3, Four-Port Base Station Models WCA64 and MCA64

Repair Parts List for Figure 3							
Item	WCA64/MCA64	Qty.	Description	Item	WCA64/MCA64	Qty.	Description
1	CV963039	1	Sensor Bushing	15	CV973101	1	Protection Plate
2	CZ137028	2	Set Screw	16	CBA413028-1E	2	Cap Screw
3	★BSS6820D	2	Wiper	17	CY119038	4	Adaptor (Imperial)
4	★CS732041	2	U-cup		CV967038	4	Adaptor (Metric)
5	CV450044	2	Stop-ring	18	★DA10722108	4	Washer
6	B1007503	6	O-ring (for WCA 64 only)	19	★CCA1027044-1A	4	Retaining Wall
7	★B1020803	2	O-ring	20	CDF6	4	Coupler
8	CV449044	2	Stop-ring	21	CV974111	1	Bracket
9	★B1210513	1	GT Ring	22	CBA515028-1D	2	Screw
10	CV939040	1	Plunger	23	B1023271/CV853271	6	Plug (WCA64/MCA64)
11	CY130005	1	Base (Imperial)	25	B1003006/CS235006	2	No. 4 SAE Hex/1/4-BSPP
	CY970005	1	Base (Metric)	26	A8012015	2	Ball
12	CV971101	1	Coupler Plate	27	★B1111903	4	O-ring
13	CBE1120120-2A	1	Nut	28	FZ2050	4	Nozzle
14	CV965149	1	Guide Rod				

★ Items included in and available only as part of Repair Kit MCA64K.

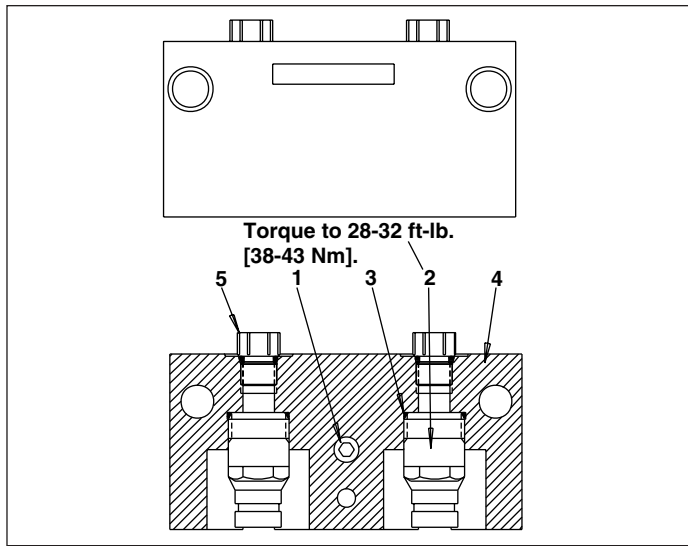


Fig. 4, Two-Port Pallet Receivers WPA62 and MPA62

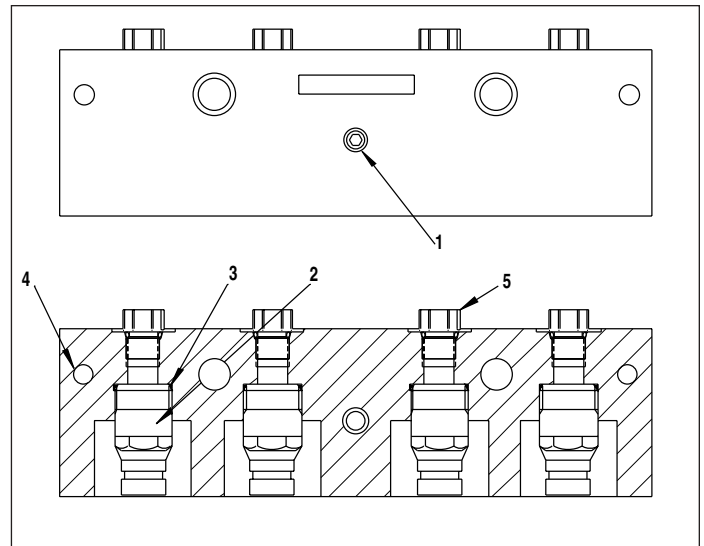


Fig. 5, Four-Port Pallet Receivers WPA64 and MPA64

Repair Parts List for Figure 4			
Item	Part Number	Qty.	Description
1	CS994028	1	Screw
2	CDM6	2	Coupler
3	★CY165041	2	O-ring
4	CY120190	1	Mounting Body (WPA62)
	CV937190	1	Mounting Body (MPA62)
5	PA1846271/CV853271	2	Shipping Plug (WPA62/MPA62)

★ Items included in and available only as part of Repair Kit MPA62K.

Repair Parts List for Figure 5			
Item	Part Number	Qty.	Description
1	CS994028	1	Screw
2	CDM6	4	Coupler
3	★CY165041	4	O-ring
4	CY131190	1	Mounting Body (WPA64/MPA64)
	CV972190	1	Mounting Body (MPA64)
5	PA1846271/CV853271	4	Shipping Plug (WPA64/MPA64)

★ Items included in and available only as part of Repair Kit MPA64K.

Enerpac Worldwide Locations

◆ e-mail: info@enerpac.com

◆ internet: www.enerpac.com

Australia

ENERPAC, Applied Power Australia Ltd.
Block V Unit 3
Regents Park Estate
391 Park Road
Regents Park NSW 2143
(P.O. Box 261) Australia
Tel: +61 297 438 988
Fax: +61 297 438 648

Canada

Applied Power Canada Ltd.
6615 Ordan Drive, Unit 14-15
Mississauga, Ontario L5T 1X2
Tel: +1 905 564 5749
Fax: +1 905 564 0305

Toll Free:

Tel: +1 800 268 4987
Fax: +1 800 461 2456

China

Shanghai Blackhawk
Machinery Co Ltd
15H Jinxiang Building
238 Nandan Road (E)
Shanghai, 200030
China
Tel: +86 21 5866 9099
Fax: +86 21 5866 7156

**France, Turkey, Greece,
Africa, Middle East**

ENERPAC S.A.
B.P. 200
Parc d'Activités
du Moulin de Massy
F-91882 Massy CEDEX (Paris) France
Tel: +33 1 601 368 68
Fax: +33 1 692 037 50

**Germany, Switzerland,
Austria, Eastern Europe**

ENERPAC
Applied Power GmbH
P.O. Box 300113
D-40401 Düsseldorf
Germany
Tel: +49 211 471 490
Fax: +49 211 471 49 28

Hong Kong

ENERPAC
Room 907 Workingberg
Commercial Building
41-47 Marble Road
North Point
Tel: +852-2561 6295
Fax: +852-2561 6772

India

ENERPAC
Hydraulics Technology
(India) Pvt Ltd
Plot No. A-571
MIDC, TTC Industrial Area
Mahape-400 701
Navi Mumbai, India
Tel: +91 22 769 47 78
Fax: +91 22 769 84 73

Italy

ENERPAC
Applied Power Italiana S.p.A.
Via Canova 4
20094 Corsico (Milano)
Tel: +39 2 486 111 00
Fax: +39 2 486 012 88

Japan

Applied Power Japan Ltd.
1-1-11, Shimomae
Toda-shi
Saitama Pref.
Japan 335-0016
Tel: +81-48-430-1055
Fax: +81-48-430-1066

Mexico

ENERPAC Applied Power
Mexico S.A. de C.V.
Avenida Principal
La Paz #100
Fracc. Industrial La Paz
42084 Pachuca, Hidalgo
Tel: +52 771 337 00
Fax: +52 771 838 00

**The Netherlands, Belgium,
Luxembourg, Sweden, Denmark,
Norway, Finland**

ENERPAC B.V.
Storkstraat 25 /
P.O. Box 269, 3900 AG Veenendaal
The Netherlands
Tel: +31 318 535 911
Fax: +31 318 525 613
+31 318 535 848

Singapore

Applied Power Asia Pte Ltd
No. 8, Ang Mo Kio,
Industrial Park 2
#01-00
Singapore 569500
Thomson Road
P.O. Box 114
Singapore 915704
Tel: +65 484 5108
Fax: +65 484 5669

South Korea

ENERPAC
Applied Power Korea Ltd.
163-12 Dodang-Dong
Choong-Ku, Buchun-shi
Kyunggi-Do
Republic of Korea
Tel: +82 32 675 08 36
Fax: +82 32 675 30 02

Spain, Portugal

ENERPAC
Applied Power International S.A.
Avda. Camino de lo Cortado 21
San Sebastian de los Reyes
28709 Madrid
Spain
Tel: +34 91 661 11 25
Fax: +34 91 661 47 89

United Kingdom, Ireland

ENERPAC Limited
Unit 3, Colemeadow Road
North Moons Moat
Redditch
Worcester B98 9BP
United Kingdom
Tel: +44 01527 598 900
Fax: +44 01527 585 500

**USA, Latin America
and Caribbean**

ENERPAC
P.O. Box 3241
6101 N. Baker Road
Milwaukee, WI 53209 USA
Tel: +1 262 781 6600
Fax: +1 262 781 1049

User inquiries:

+1 800 433 2766

Distributor inquiries/orders:

+1 800 558 0530

All Enerpac products are guaranteed against defects in workmanship and materials for as long as you own them.

For your nearest authorized Enerpac Service Center, visit us at www.enerpac.com