

Figure 1, Model MCH21 Operator Handle (two coupler)

Repair Parts List for Figure 1

Item	Part Number	Qty.	Description	Item	Part Number	Qty.	Description
1	DW1001070	1	Handle, 2 Coupler	3	AR650	2	Coupler, Female
2	DW1002160	1	Retainer, 2 Coupler	4	B1349028	2	Screw

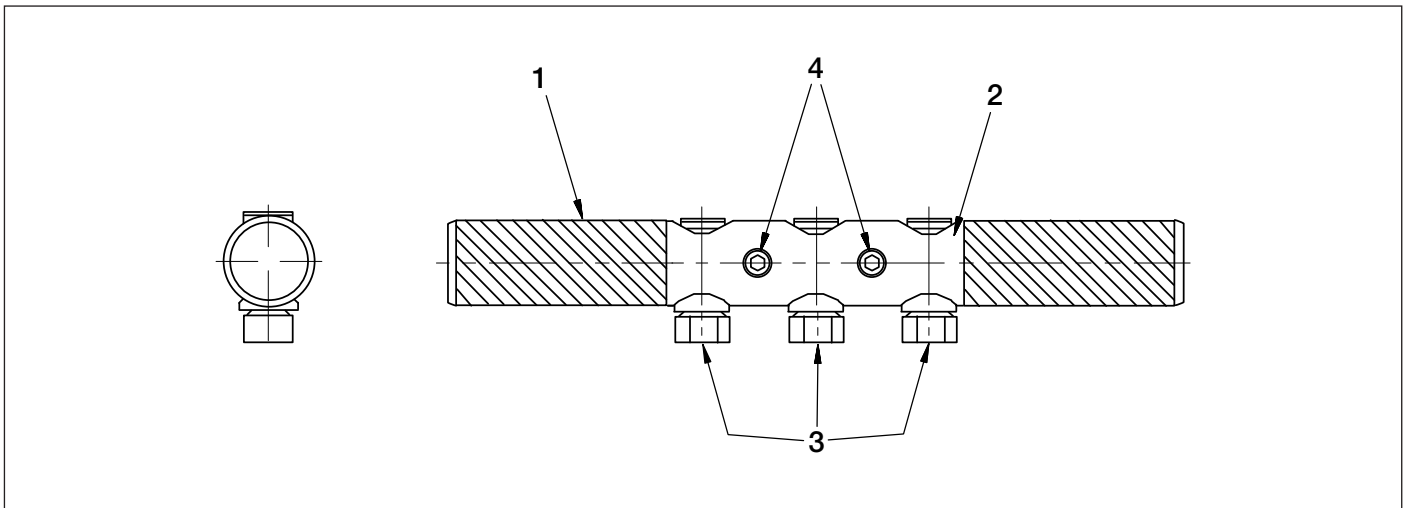


Figure 2, Model MCH31 Operator Handle (three coupler)

Repair Parts List for Figure 2

Item	Part Number	Qty.	Description	Item	Part Number	Qty.	Description
1	DW1007070	1	Handle, 3 Coupler	3	AR650	3	Coupler, Female
2	DW1008160	1	Retainer, 3 Coupler	4	B1349028	2	Screw

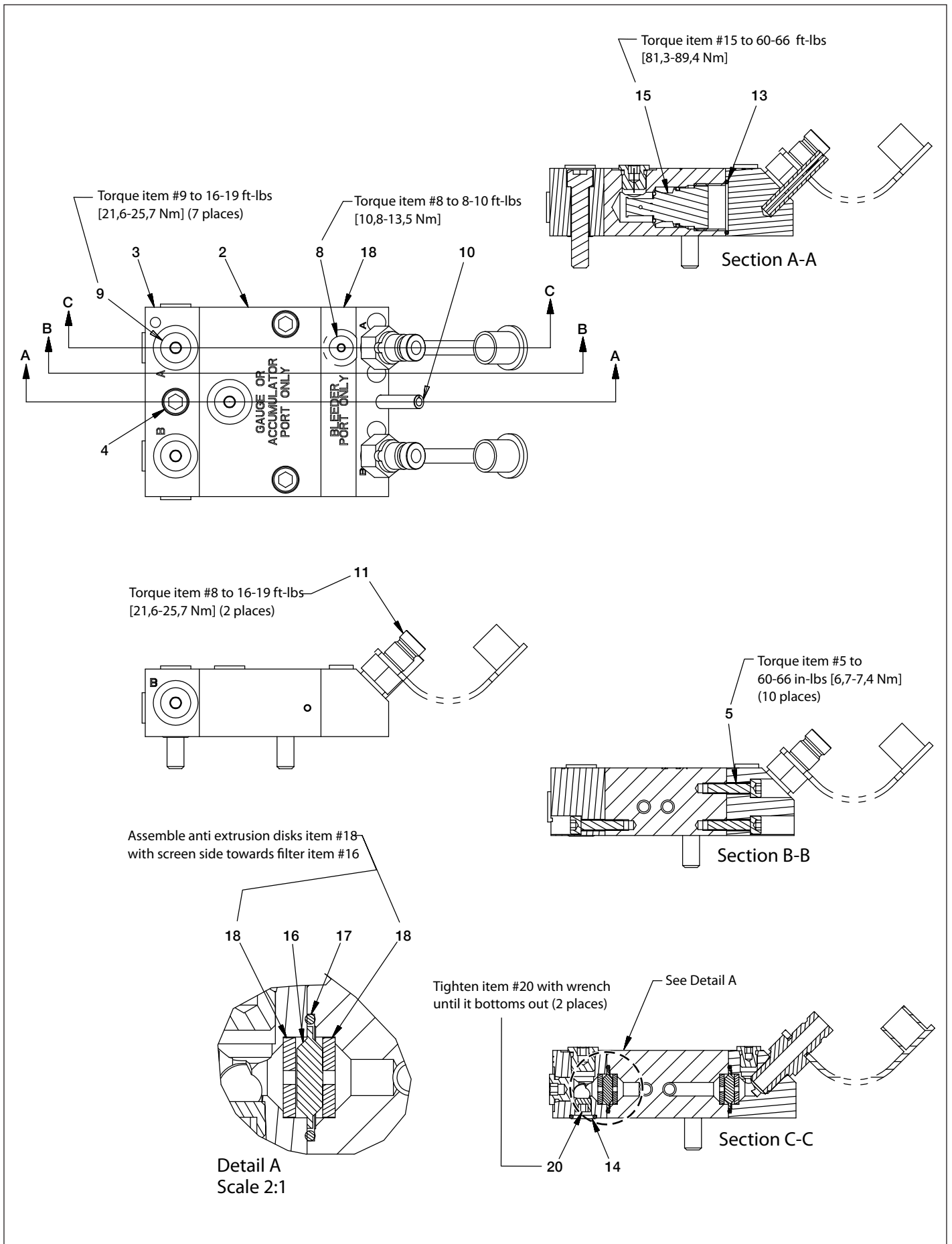
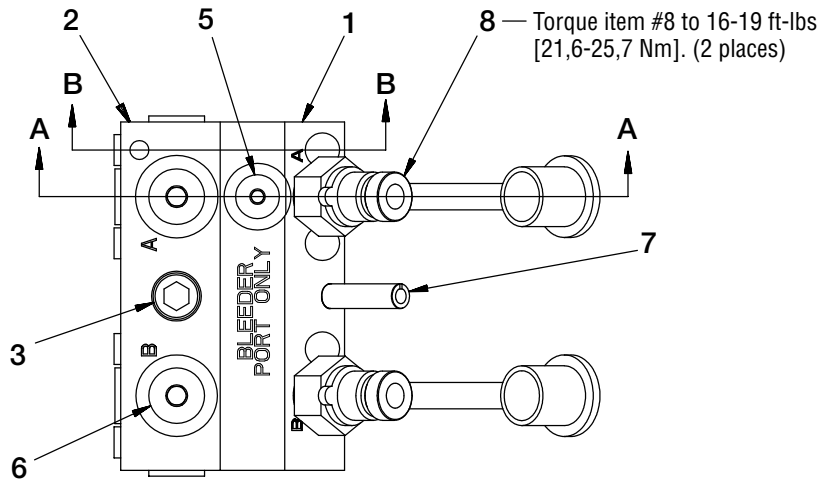


Figure 3, Model MCRC21 Pallet Mounted Receiver, Two Passage (with P. O. Check Valve)

**Repair Parts List for Figure 3**

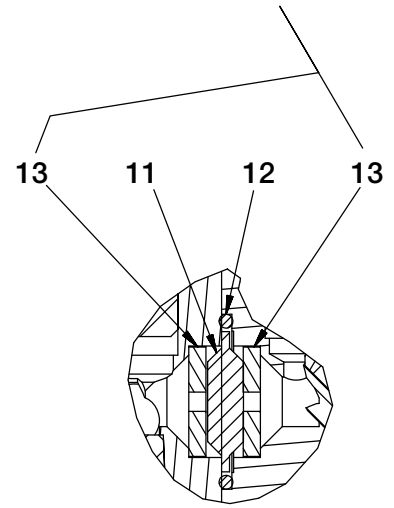
Item	Part Number	Qty.	Description	Item	Part Number	Qty.	Description
1	DW1004840	1	Receiver	11	AH654	2	Coupler, Male
2	DW1003840	1	Housing, P.O. Check	13	◆ B1020803	1	O-Ring
3	DW1005840	1	Manifold, End	14	◆ B1012803	2	O-Ring
4	B1353028	3	Mounting Bolt	15	DW1006661	1	Cartridge, P. O. Check
5	CCA521028-1A	10	Screw, HCSC	16	★ PA1932118	4	Filter
8	B1001006	1	Plug, #2 SAE	17	◆ B1018803	4	O-Ring
9	B1003006	7	Plug, #4 SAE	18	★ PA1933071	8	Disc, Anti-Extrusion
10	B1136057	1	Pin, Roll	20	A1006245	2	Pipe Plug, NPTF, 1/16
★ Included in Repair Kit FL2201K.			◆ Included in Seal Kit MCRCK.				

Torque to 8-10 ft-lbs  
[10,8-13,5 Nm]



Torque item #6 to 16-19 ft-lbs  
[21,6-25,7 Nm] (6 places)

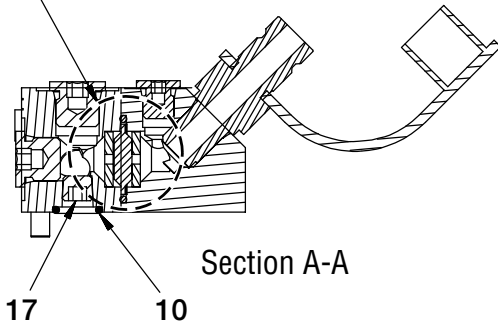
Assemble anti extrusion disks item #13  
with screen side towards filter item #11



Detail A  
Scale 2:1

Hold item #16 sleeve nut and  
torque item #15 capscrew to  
60-66 in-lbs [6,7-7,4 Nm]  
(6 places)

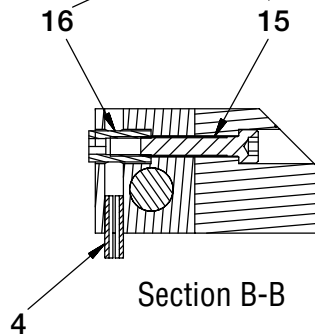
See Detail A



Section A-A

17 10

Tighten item #17 with wrench  
until it bottoms out (2 places)



Section B-B

4

**Figure 4, Model MCR21 Pallet Mounted Receiver, Two Passage (without P. O. check valve)**

**Repair Parts List for Figure 4**

<b>Item</b>	<b>Part Number</b>	<b>Qty.</b>	<b>Description</b>	<b>Item</b>	<b>Part Number</b>	<b>Qty.</b>	<b>Description</b>
1	DW1004840	1	Receiver	10	◆ B1012803	2	O-Ring
2	DW1005840	1	Manifold, End	11	★ PA1932118	2	Filter
3	B1353028	1	Bolt, Mounting	12	◆ B1018803	2	O-Ring
4	B1089057	1	Pin, Roll	13	★ PA1933071	4	Disc, Anti-Extrusion
5	B1001006	1	Plug, #2 SAE	15	CCA523028-1A	4	Bolt
6	B1003006	6	Plug, #4 SAE	16	DW1027021	4	Stud Nut
7	B1136057	1	Pin, Roll	17	A1006245	2	Pipe Plug, NPTF, 1/16
8	AH654	2	Coupler, Male				
★ Included in Repair Kit FL2201K.				◆ Included in Seal Kit MCRCK.			

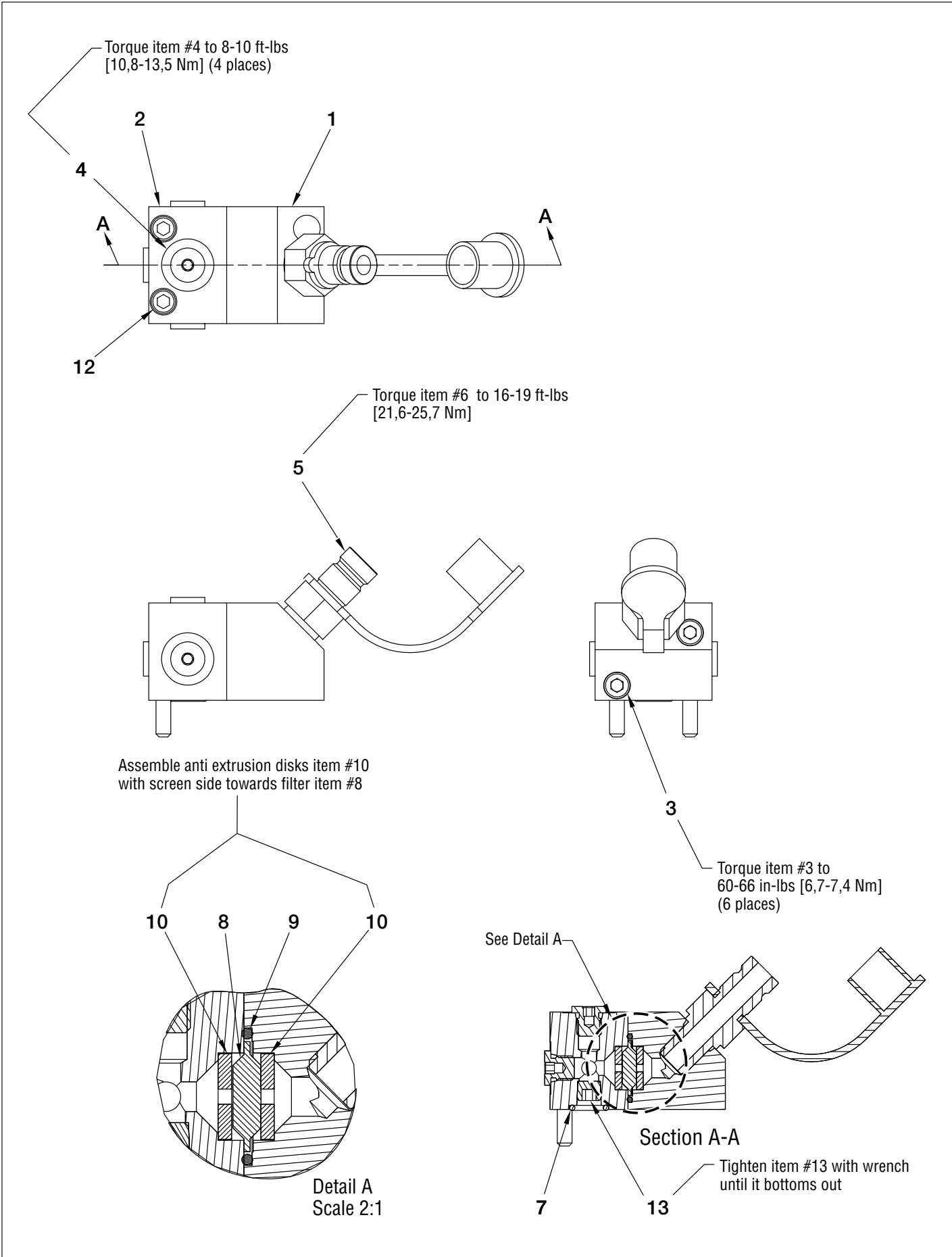
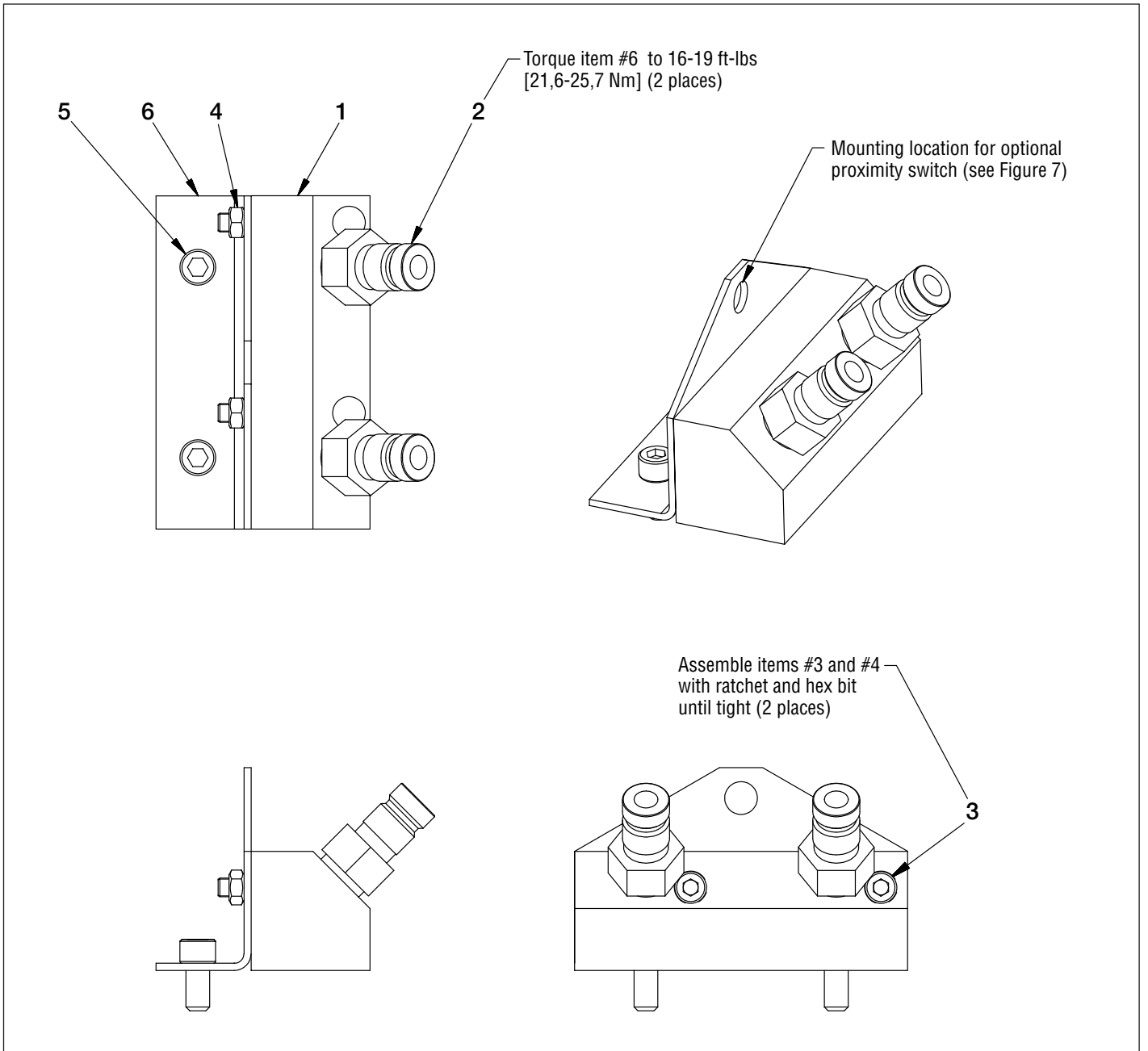


Figure 5, Model MCRA11 Auxiliary Air Circuit Receiver

### Repair Parts List for Figure 5

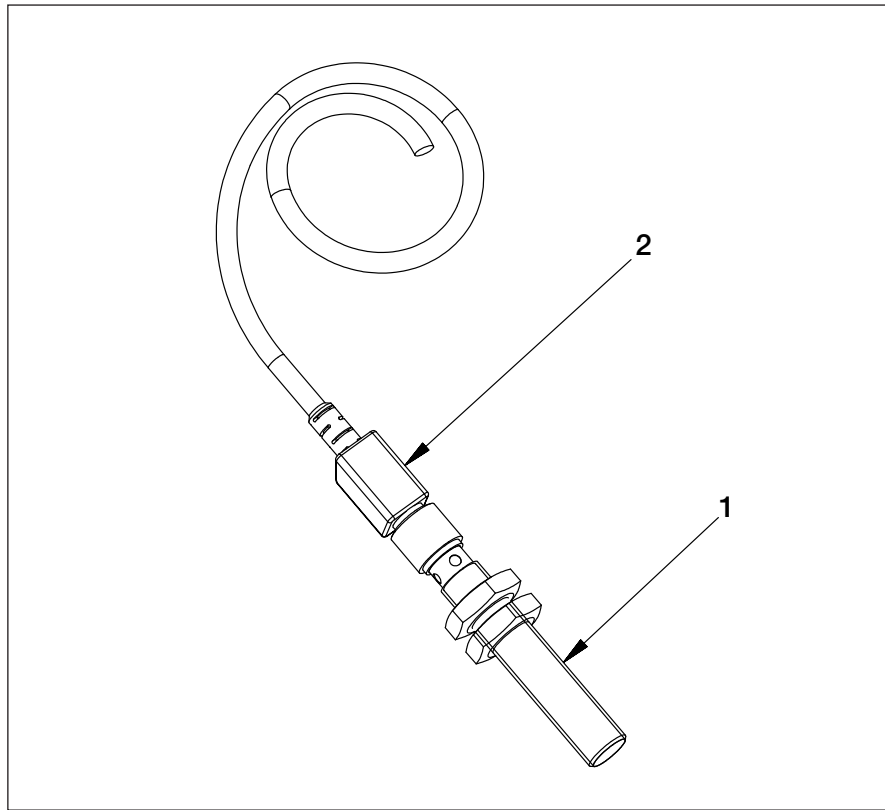
Item	Part Number	Qty.	Description	Item	Part Number	Qty.	Description
1	DW1009840	1	Receiver, Air Passage	7	◆ B1012803	1	O-Ring
2	DW1010840	1	Manifold, End	8	★ PA1932118	1	Filter
3	CCA521028-1A	2	Screw, HSCS	9	◆ B1018803	1	O-Ring
4	B1001006	4	Plug, #2 SAE	10	★ PA1933071	2	Disc, Anti-Extrusion
5	AH654	1	Coupler, Male	12	B133028	2	Bolt, Mounting
6	B1012803	1	Cap, Dust	13	A1006245	1	Pipe Plug, NPTF, 1/16
★ Included in Repair Kit FL2201K.				◆ Included in Seal Kit MCRCK.			



**Figure 6, Model MCSB21 Storage Block, Two Passage**

Repair Parts List for Figure 6							
Item	Part Number	Qty.	Description	Item	Part Number	Qty.	Description
1	DW1031840	1	Receiver, Storage Block	4	CBE1050120-1D	2	Nut, Hex
2	AH654	2	Coupler, Male	5	B1003028	2	Bolt, Mounting
3	CCA521028-1A	2	Screw, HSHC	6	DW1001111	1	Bracket





**Figure 7, Model MCPS21 Proximity Switch**

<b>Repair Parts List for Figure 7</b>			
<b>Item</b>	<b>Part Number</b>	<b>Qty.</b>	<b>Description</b>
1	DW1029384	1	Switch, Proximity
2	DW1030960	1	Cable, 5 Meter

## Enerpac Worldwide Locations

◆ e-mail: [info@enerpac.com](mailto:info@enerpac.com)

◆ internet: [www.enerpac.com](http://www.enerpac.com)

### Australia and New Zealand

Actuant Australia Ltd.  
Block V Unit 3  
Regents Park Estate  
391 Park Road  
Regents Park NSW 2143  
(P.O. Box 261) Australia  
T +61 (0)2 9743 8988  
F +61 (0)2 9743 8648  
[sales-au@enerpac.com](mailto:sales-au@enerpac.com)

### Brazil

Power Packer do Brasil Ltda.  
Rua Luiz Lawrie Reid, 548  
09930-760 - Diadema (SP) - Brazil  
T +55 11 5687 2211  
Toll Free: 0800 891 5770  
[vendasbrasil@enerpac.com](mailto:vendasbrasil@enerpac.com)

### China (Taicang)

Actuant (China) Industries Co. Ltd.  
No.6 Nanjing East Road,  
Taicang Economic Dep Zone  
Jiangsu, China  
T +86 0512 5328 7500  
F +86 0512 5335 9690  
Toll Free: +86 400 885 0369  
[sales-cn@enerpac.com](mailto:sales-cn@enerpac.com)

### France, Switzerland, North Africa and French speaking African countries

ENERPAC  
Une division d'ACTUANT France S.A.S.  
ZA de Courtaboeuf  
32, avenue de la Baltique  
91140 VILLEBON /YVETTE  
France  
T +33 1 60 13 68 68  
F +33 1 69 20 37 50  
[sales-fr@enerpac.com](mailto:sales-fr@enerpac.com)

### Germany and Austria

ENERPAC GmbH  
P.O. Box 300113  
D-40401 Düsseldorf  
Willstätterstrasse 13  
D-40549 Düsseldorf, Germany  
T +49 211 471 490  
F +49 211 471 49 28  
[sales-de@enerpac.com](mailto:sales-de@enerpac.com)

### India

ENERPAC Hydraulics (India) Pvt. Ltd.  
No. 10, Bellary Road, Sadashivanagar,  
Bangalore, Karnataka 560 080  
India  
T +91 80 3928 9000  
[info@enerpac.co.in](mailto:info@enerpac.co.in)  
[www.enerpac.com](http://www.enerpac.com)

### Italy

ENERPAC S.p.A.  
Via Canova 4  
20094 Corsico (Milano)  
T +39 02 4861 111  
F +39 02 4860 1288  
[sales-it@enerpac.com](mailto:sales-it@enerpac.com)

### Japan

Applied Power Japan LTD KK  
Besshocho 85-7  
Kita-ku, Saitama-shi 331-0821, Japan  
T +81 48 662 4911  
F +81 48 662 4955  
[sales-jp@enerpac.com](mailto:sales-jp@enerpac.com)

### Middle East, Egypt and Libya

ENERPAC Middle East FZE  
Office 423, LOB 15  
P.O. Box 18004, Jebel Ali, Dubai  
United Arab Emirates  
T +971 (0)4 8872686  
F +971 (0)4 8872687  
[sales-ua@enerpac.com](mailto:sales-ua@enerpac.com)

### Russia

Rep. office Enerpac  
Russian Federation  
Admiral Makarova Street 8  
125212 Moscow, Russia  
T +7 495 98090 91  
F +7 495 98090 92  
[sales-ru@enerpac.com](mailto:sales-ru@enerpac.com)

### Southeast Asia, Hong Kong and Taiwan

Actuant Asia Pte Ltd.  
83 Joo Koon Circle  
Singapore 629109  
T +65 68 63 0611  
F +65 64 84 5669  
Toll Free: +1800 363 7722  
[sales-sg@enerpac.com](mailto:sales-sg@enerpac.com)

### South Korea

Actuant Korea Ltd.  
3Ba 717, Shihwa Industrial Complex  
Jungwang-Dong, Shihung-Shi,  
Kyunggi-Do  
Republic of Korea 429-450  
T +82 31 434 4506  
F +82 31 434 4507  
[sales-kr@enerpac.com](mailto:sales-kr@enerpac.com)

### Spain and Portugal

ENERPAC SPAIN, S.L.  
Avda. Los Frailes, 40 – Nave C & D  
Pol. Ind. Los Frailes  
28814 Daganzo de Arriba  
(Madrid) Spain  
T +34 91 884 86 06  
F +34 91 884 86 11  
[sales-es@enerpac.com](mailto:sales-es@enerpac.com)

### Sweden, Denmark, Norway,

**Finland and Iceland**  
Enerpac Scandinavia AB  
Kopparlundsvägen 14,  
721 30 Västerås  
Sweden  
T +46 (0) 771 41 50 00  
[scandinavianinquiries@enerpac.com](mailto:scandinavianinquiries@enerpac.com)

### The Netherlands, Belgium, Luxembourg, Central and Eastern Europe, Baltic States, Greece, Turkey and CIS countries

ENERPAC B.V.  
Galvanistraat 115, 6716 AE Ede  
P.O. Box 8097, 6710 AB Ede  
The Netherlands  
T +31 318 535 911  
F +31 318 535 848  
[sales-nl@enerpac.com](mailto:sales-nl@enerpac.com)

### Enerpac Integrated Solutions B.V.

Opaalstraat 44, 7554 TS Hengelo  
P.O. Box 421, 7550 AK Hengelo  
The Netherlands  
T +31 74 242 20 45  
F +31 74 243 03 38  
[integratedsolutions@enerpac.com](mailto:integratedsolutions@enerpac.com)

### South Africa and other English speaking African countries

Enerpac Africa Pty Ltd.  
No. 5 Bauhinia Avenue  
Cambridge Office Park  
Block E  
Highveld Techno Park  
Centurion 0157  
Republic of South Africa  
T: +27 12 940 0656  
[sales-za@enerpac.com](mailto:sales-za@enerpac.com)

### United Kingdom and Ireland

ENERPAC UK Ltd.  
5 Coopies Field  
Morpeth, Northumberland  
NE61 6JR, England  
T +44 (0) 1670 5016 50  
F +44 (0) 1670 5016 51  
[sales-uk@enerpac.com](mailto:sales-uk@enerpac.com)

### USA, Latin America and Caribbean

ENERPAC World Headquarters  
P.O. Box 3241  
Milwaukee WI 53201-3241 USA  
N86 W12500 Westbrook Crossing  
Menomonee Falls, Wisconsin 53051  
T +1 262 293 1600  
F +1 262 293 7036  
User inquiries:  
T +1 800 433 2766  
Distributor inquiries/orders:  
T +1 800 558 0530  
F +1 800 628 0490  
Technical inquiries:  
[techservices@enerpac.com](mailto:techservices@enerpac.com)  
[sales-us@enerpac.com](mailto:sales-us@enerpac.com)

All Enerpac products are  
guaranteed against defects  
in workmanship and materials  
for as long as you own them.

For the location of your nearest  
authorized Enerpac Service Center,  
visit us at [www.enerpac.com](http://www.enerpac.com)

011415