

L4079 Rev. A 12/13

Repair Parts Sheets for this product are available from the Enerpac web site at [www.enerpac.com](http://www.enerpac.com), or from your nearest Authorized Enerpac Service Center or Enerpac Sales office.

## 1.0 IMPORTANT RECEIVING INSTRUCTIONS

Visually inspect all components for shipping damage. Shipping damage is not covered by warranty. If shipping damage is found, notify carrier at once. The carrier is responsible for all repair and replacement costs resulting from damage in shipment.

### SAFETY FIRST

## 2.0 SAFETY ISSUES



Read all instructions, warnings and cautions carefully. Follow all safety precautions to avoid personal injury or property damage during system operation. Enerpac cannot be responsible for damage or injury resulting from unsafe product use, lack of maintenance or incorrect product and/or system operation. Contact Enerpac when in doubt as to the safety precautions and operations. If you have never been trained on high-pressure hydraulic safety, consult your distribution or service center for a free Enerpac Hydraulic safety course.



**WARNING:** Failure to observe and comply with the CAUTION, WARNING and DANGER statements contained in this manual could result in property damage, personal injury or even death.

A **CAUTION** is used to indicate correct operating or maintenance procedures and practices to prevent damage to, or destruction of equipment or other property.

A **WARNING** indicates a potential danger that requires correct procedures or practices to avoid personal injury.

A **DANGER** is only used when your action or lack of action may cause serious injury or even death.



**WARNING:** Wear proper personal protective gear when operating hydraulic equipment.



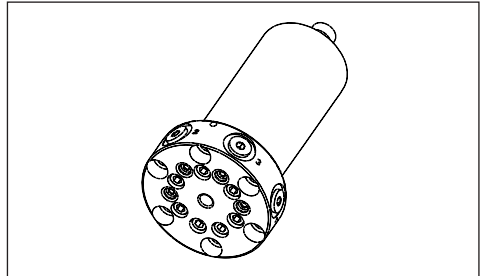
**DANGER:** To avoid personal injury keep hands and feet away from cylinder and workpiece during operation.



**WARNING:** Never set the relief valve to a higher pressure than the maximum rated pressure of the pump. Higher settings may result in equipment damage and/or personal injury. Do not remove relief valve.



**WARNING:** The system operating pressure must not exceed the pressure rating of the lowest rated component in the system. Install



pressure gauges in the system to monitor operating pressure. It is your window to what is happening in the system.



**CAUTION:** Avoid damaging hydraulic hose. Avoid sharp bends and kinks when routing hydraulic hoses. Using a bent or kinked hose will cause severe back-pressure. Sharp bends and kinks will internally damage the hose leading to premature hose failure.



**CAUTION:** Do not drop heavy objects on hose. A sharp impact may cause internal damage to hose wire strands. Applying pressure to a damaged hose may cause it to rupture.



**CAUTION:** Keep hydraulic equipment away from flames and heat. Excessive heat will soften packings and seals, resulting in fluid leaks. Heat also weakens hose materials and packings. For optimum performance do not expose equipment to temperatures of 150 °F [65 °C] or higher. Protect hoses and cylinders from weld spatter.



**CAUTION:** Make sure that all system components are protected from external sources of damage, such as moving machine parts, sharp edges and corrosive chemicals.



**DANGER:** Do not handle pressurized hoses. Escaping oil under pressure can penetrate the skin, causing serious injury. If oil is injected under the skin, see a doctor immediately.



**IMPORTANT:** Hydraulic equipment must only be serviced by a qualified hydraulic technician. For repair service, contact the Authorized ENERPAC Service Center in your area. To protect your warranty, use only ENERPAC oil.



**WARNING:** Immediately replace worn or damaged parts with genuine ENERPAC parts. Standard grade parts will break causing personal injury and property damage. ENERPAC parts are designed to fit properly and withstand high loads.

### 3.0 DESCRIPTION

Selected Enerpac Collet-Lok® swing clamps, work supports and push cylinders include lower mounting flanges that can be used with manifold porting.

To mount the Collet-Lok® product on a fixture using the manifold ports:

1. Prepare the fixture plate so that the internal passages are located to intersect with the manifold ports on the mounting flange of the Collet-Lok® product. Refer to Section 4.0.
2. Leave the plugs installed in the tubing ports on the Collet-Lok® product. These plugs must remain in place when the manifold ports are used.
3. Remove the port screw and copper gasket from each manifold port on the underside of the mounting flange.
4. Install the supplied o-rings in the manifold ports before installing the Collet-Lok® product on the fixture plate. Follow the specifications for plate surface finish and flatness shown in Figure 1.

### 4.0 MOUNTING DIMENSIONS

To ensure proper operation, the internal passages in the fixture plate must be precisely aligned with the manifold ports located on the underside of the Collet-Lok® mounting flange. Mounting bolt holes must also be in precise alignment and of the proper size. For additional information, refer to Table 1 and figures 2 through 9.

**Note:** Figures 2 through 9 are provided only to show mounting dimensions and port locations. The diagrams are not drawn to scale. All figures show the TOP side of the fixture plate, as viewed from above.

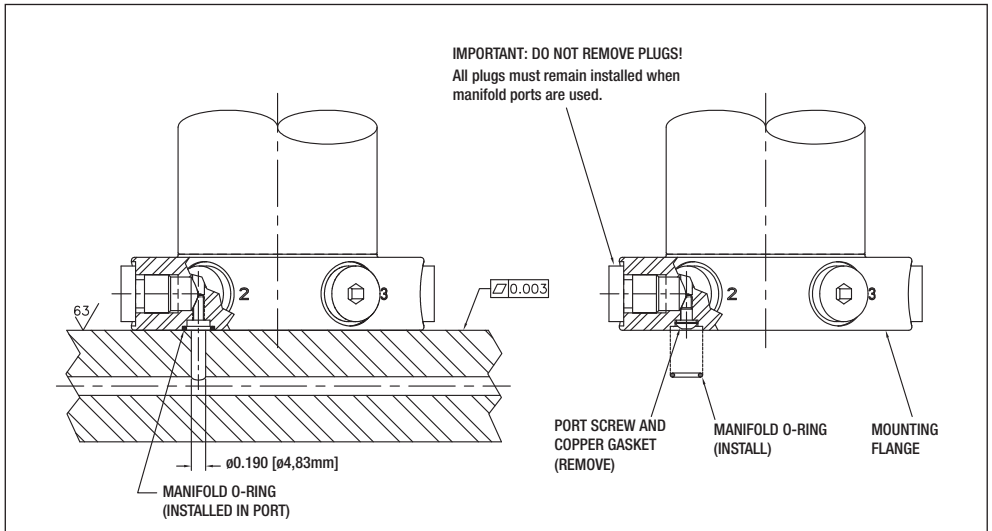
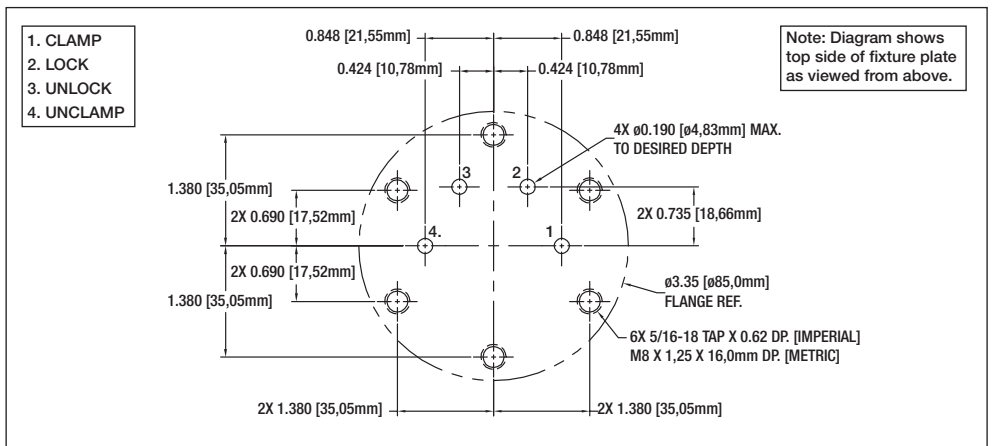
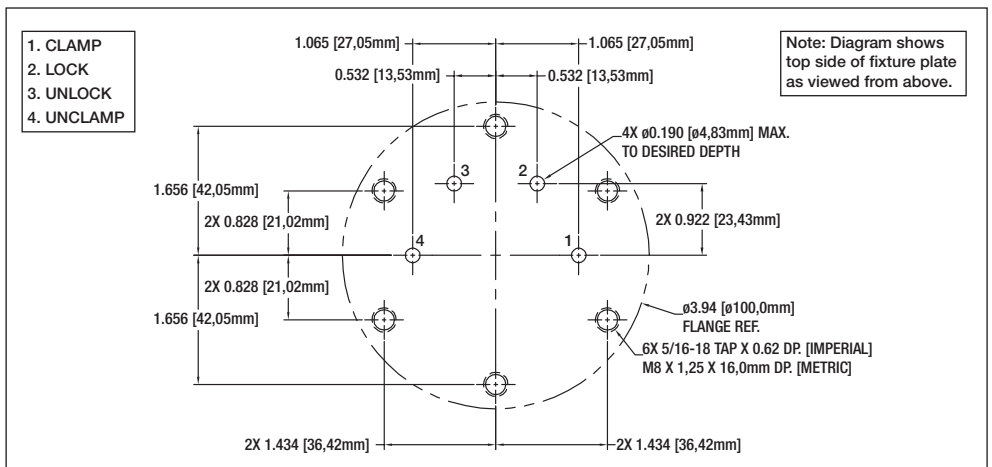


Figure 1, Manifold Mounting Details, Collet-Lok® Products Equipped With Manifold Ports

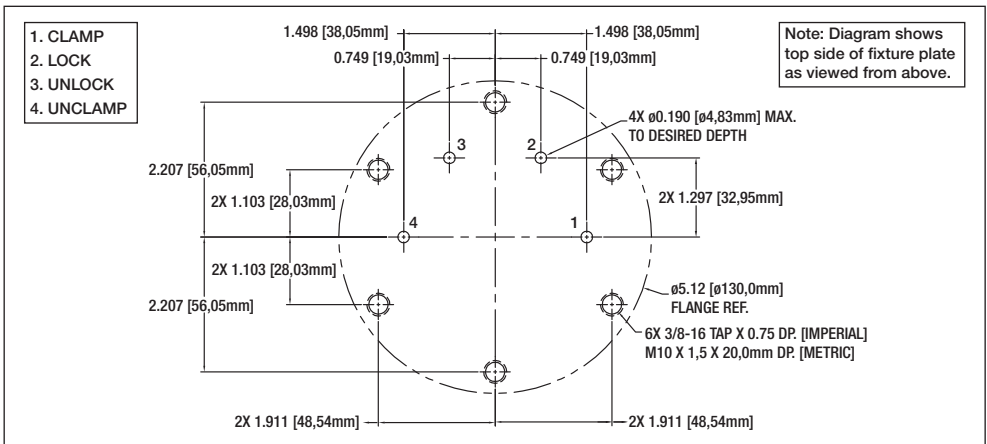
Table 1 - Collet-Lok® Mounting Dimensions		
Product	Models	See Figure:
Collet-Lok® Swing Clamps	MPFL-50V, MPFN-50V, MPFR-50V, WPFL-50V, WPFN-50V, WPFR-50V	2
	MPFL-100V, MPFN-100V, MPFR-100V, WPFL-100V, WPFN-100V, WPFR-100V	3
	MPFL-300V, MPFN-300V, MPFR-300V, WPFL-300V, WPFN-300V, WPFR-300V	4
Collet-Lok® Work Supports	MPFS-100V, WPFS-100V	5
	MPFS-200V, WPFS-200V	6
	MPFS-450V, WPFS-450V	7
Collet-Lok® Push Cylinders	MPFC-110V, WPFC-110V	8
	MPFC-210V, WPFC-210V	9



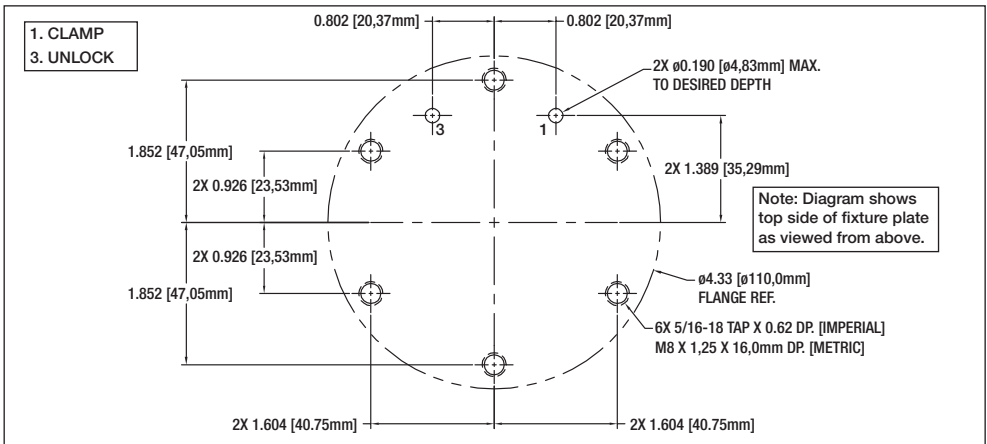
**Figure 2, Mounting Dimensions, Models MPFL-50V, MPFN-50V, MPFR-50V, WPFL-50V, WPFN-50V, WPFR-50V**



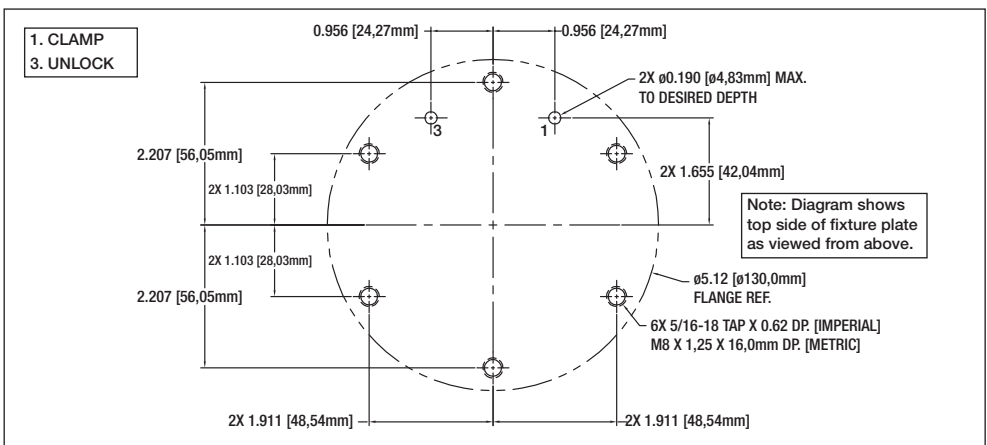
**Figure 3, Mounting Dimensions, Models MPFL-100V, MPFN-100V, MPFR-100V, WPFL-100V, WPFN-100V, WPFR-100V**



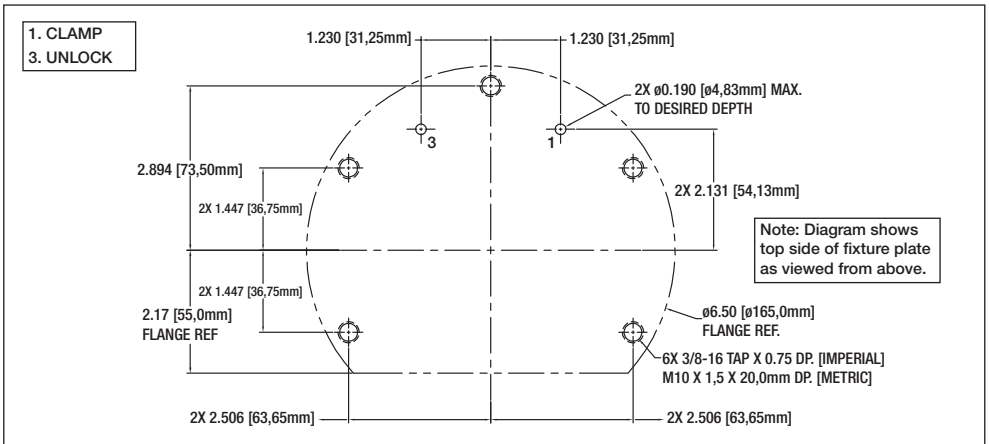
**Figure 4, Mounting Dimensions, Models MPFL-300V, MFPN-300V, MPFR-300V, WPF-300V, WFPN-300V, WPF-300V**



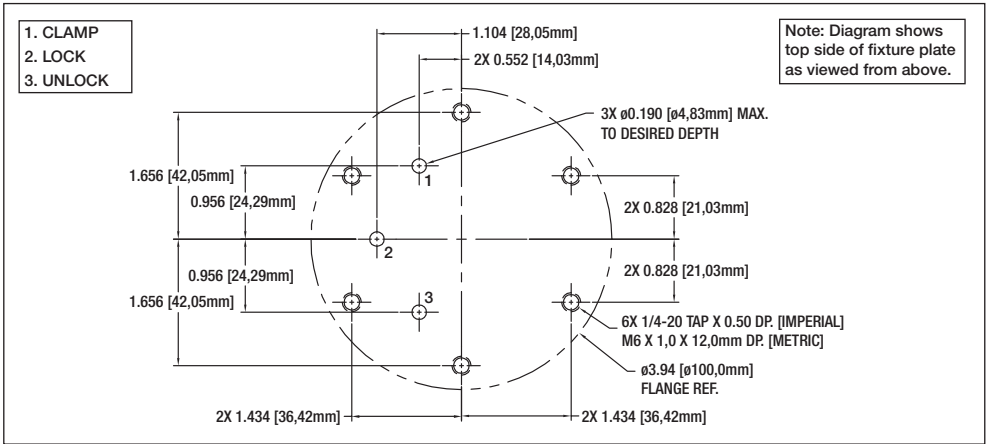
**Figure 5, Mounting Dimensions, Models MPFS-100V, WPFS-100V**



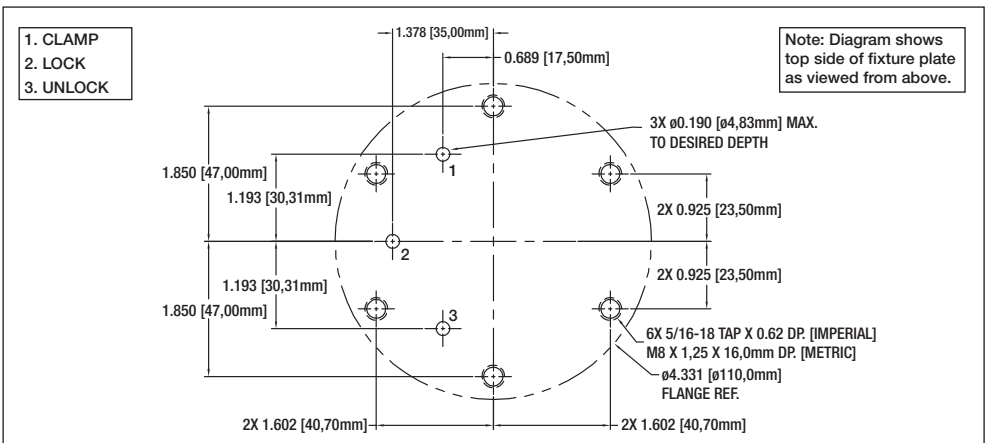
**Figure 6, Mounting Dimensions, Models MPFS-200V, WPFS-200V**



**Figure 7, Mounting Dimensions, Models MPFS-450V, WPFS-450V**



**Figure 8, Mounting Dimensions, Models MPFC-110V, WPFC-110V**



**Figure 9, Mounting Dimensions, Models MPFC-210V, WPFC-210V**

**Table 2 - Collet-Lok® Models Equipped With Manifold Ports:**

<b>Collet-Lok® Swing Clamps:</b>	
<b>Model Number</b>	<b>Description</b>
MPFL50V	Swing Clamp, Metric, Left Hand, Flange Body, Viton Seals
MPFR50V	Swing Clamp, Metric, Right Hand, Flange Body, Viton Seals
MPFN50V	Swing Clamp, Metric, Straight, Flange Body, Viton Seals
WPFL50V	Swing Clamp, Imperial, Left Hand, Flange Body, Viton Seals
WPF50V	Swing Clamp, Imperial, Right Hand, Flange Body, Viton Seals
WPFN50V	Swing Clamp, Imperial, Straight, Flange Body, Viton Seals
MPFL100V	Swing Clamp, Metric, Left Hand, Flange Body, Viton Seals
MPFR100V	Swing Clamp, Metric, Right Hand, Flange Body, Viton Seals
MPFN100V	Swing Clamp, Metric, Straight, Flange Body, Viton Seals
WPFL100V	Swing Clamp, Imperial, Left Hand, Flange Body, Viton Seals
WPF100V	Swing Clamp, Imperial, Right Hand, Flange Body, Viton Seals
WPFN100V	Swing Clamp, Imperial, Straight, Flange Body, Viton Seals
MPFL300V	Swing Clamp, Metric, Left Hand, Flange Body, Viton Seals
MPFR300V	Swing Clamp, Metric, Right Hand, Flange Body, Viton Seals
MPFN300V	Swing Clamp, Metric, Straight, Flange Body, Viton Seals
WPFL300V	Swing Clamp, Imperial, Left Hand, Flange Body, Viton Seals
WPF300V	Swing Clamp, Imperial, Right Hand, Flange Body, Viton Seals
WPFN300V	Swing Clamp, Imperial, Straight, Flange Body, Viton Seals
<b>Collet-Lok® Work Supports:</b>	
<b>Model Number</b>	<b>Description</b>
MPFS100V	Work Support, Metric, Viton Seals
MPFS200V	Work Support, Metric, Viton Seals
MPFS450V	Work Support, Metric, Viton Seals
WPFS100V	Work Support, Imperial, Viton Seals
WPFS200V	Work Support, Imperial, Viton Seals
WPFS450V	Work Support, Imperial, Viton Seals
<b>Collet-Lok® Push Cylinders:</b>	
<b>Model Number</b>	<b>Description</b>
MPFC110V	Push Cylinder, Metric, Viton Seals
MPFC210V	Push Cylinder, Metric, Viton Seals
WPFC110V	Push Cylinder, Imperial, Viton Seals
WPFC210V	Push Cylinder, Imperial, Viton Seals
<b>Note:</b> information contained in this table is subject to change without notice.	



**Australia and New Zealand**

Actuant Australia Ltd.  
Block V Unit 3  
Regents Park Estate  
391 Park Road  
Regents Park NSW 2143  
(P.O. Box 261) Australia  
T +61 (0)2 9743 8988  
F +61 (0)2 9743 8648  
[sales-au@enerpac.com](mailto:sales-au@enerpac.com)

**Brazil**

Power Packer do Brasil Ltda.  
Rua Luiz Lawrie Reid, 548  
09930-760 - Diadema (SP) - Brazil  
T +55 11 5525 2311  
Toll Free: 0800 891 5770  
[ventasbrasil@enerpac.com](mailto:ventasbrasil@enerpac.com)

**Canada**

Actuant Canada Corporation  
6615 Ordan Drive, Unit 14-15  
Mississauga, Ontario L5T 1X2  
T +1 905 564 5749  
F +1 905 564 0305  
Toll Free:  
T +1 800 268 4987  
F +1 800 461 2456  
[customer.service@actuant.com](mailto:customer.service@actuant.com)

**China**

Actuant (China) Industries Co. Ltd.  
No. 6 Nanjing East Road,  
Taicang Economic Dep Zone  
Jiangsu, China  
T +86 0512 5328 7500  
F +86 0512 5335 9690  
Toll Free: +86 400 885 0369  
[sales-cn@enerpac.com](mailto:sales-cn@enerpac.com)

**France, Switzerland, North Africa and French speaking African countries**

ENERPAC  
Une division d'ACTUANT France S.A.  
ZA de Courtaoebouf  
32, avenue de la Baltique  
91140 VILLEBON /YVETTE  
France  
T +33 1 60 13 68 68  
F +33 1 69 20 37 50  
[sales-fr@enerpac.com](mailto:sales-fr@enerpac.com)

**Germany and Austria**

ENERPAC GmbH  
P.O. Box 300113  
D-40401 Düsseldorf  
Willstätterstrasse 13  
D-40549 Düsseldorf, Germany  
T +49 211 471 490  
F +49 211 471 49 28  
[sales-de@enerpac.com](mailto:sales-de@enerpac.com)

**India**

ENERPAC Hydraulics Pvt. Ltd.  
No. 1A, Peenya Industrial Area  
IInd Phase, Bangalore, 560 058, India  
T +91 80 40 792 777  
F +91 80 40 792 792  
[sales-in@enerpac.com](mailto:sales-in@enerpac.com)

**Italy**

ENERPAC S.p.A.  
Via Canova 4  
20094 Corsico (Milano)  
T +39 02 4861 111  
F +39 02 4860 1288  
[sales-it@enerpac.com](mailto:sales-it@enerpac.com)

**Japan**

Applied Power Japan LTD KK  
Besshocho 85-7  
Kita-ku, Saitama-shi 331-0821, Japan  
T +81 48 662 4911  
F +81 48 662 4955  
[sales-jp@enerpac.com](mailto:sales-jp@enerpac.com)

**Middle East, Egypt and Libya**

ENERPAC Middle East FZE  
Office 423, LOB 15  
P.O. Box 18004, Jebel Ali, Dubai  
United Arab Emirates  
T +971 (0)4 8872686  
F +971 (0)4 8872687  
[sales-ua@enerpac.com](mailto:sales-ua@enerpac.com)

**Russia**

Rep. office Enerpac  
Russian Federation  
Admiral Makarova Street 8  
125212 Moscow, Russia  
T +7 495 98090 91  
F +7 495 98090 92  
[sales-ru@enerpac.com](mailto:sales-ru@enerpac.com)

**Southeast Asia, Hong Kong and Taiwan**

Actuant Asia Pte Ltd.  
83 Joo Koon Circle  
Singapore 629109  
T +65 68 63 0611  
F +65 64 84 5669  
Toll Free: +1800 363 7722  
[sales-sg@enerpac.com](mailto:sales-sg@enerpac.com)

**South Korea**

Actuant Korea Ltd.  
3Ba 717, Shihwa Industrial Complex  
Jungwang-Dong, Shihung-Shi,  
Kyunggi-Do  
Republic of Korea 429-450  
T +82 31 434 4506  
F +82 31 434 4507  
[sales-kr@enerpac.com](mailto:sales-kr@enerpac.com)

**Spain and Portugal**

ENERPAC SPAIN, S.L.  
Avda. Los Frailes, 40 – Nave C & D  
Pol. Ind. Los Frailes  
28814 Daganzo de Arriba  
(Madrid) Spain  
T +34 91 884 86 06  
F +34 91 884 86 11  
[sales-es@enerpac.com](mailto:sales-es@enerpac.com)

**Sweden, Denmark, Norway, Finland and Iceland**

Enerpac Scandinavia AB  
Fabriksgatan 7  
412 50 Gothenburg  
Sweden  
T +46 (0) 31 799 0281  
F +46 (0) 31 799 0010  
[scandinavianinquiries@enerpac.com](mailto:scandinavianinquiries@enerpac.com)

**The Netherlands, Belgium, Luxembourg, Central and Eastern Europe, Baltic States, Greece, Turkey and CIS countries**

ENERPAC B.V.  
Galvanistraat 115  
6716 AE Ede  
P.O. Box 8097  
6710 AB Ede  
The Netherlands  
T +31 318 535 911  
F +31 318 535 848  
[sales-nl@enerpac.com](mailto:sales-nl@enerpac.com)

**Enerpac Integrated Solutions B.V.**

Opaalstraat 44  
7554 TS Hengelo  
P.O. Box 421  
7550 AK Hengelo  
The Netherlands  
T +31 74 242 20 45  
F +31 74 243 03 38  
[integratedsolutions@enerpac.com](mailto:integratedsolutions@enerpac.com)

**South Africa and other English speaking African countries**

Enerpac Africa Pty Ltd.  
No. 5 Bauhinia Avenue  
Cambridge Office Park  
Block E  
Highveld Techno Park  
Centurion 0157  
South Africa  
T: +27 12 940 0656

**United Kingdom and Ireland**

ENERPAC UK Ltd.  
5 Coopies Field  
Morpeth, Northumberland  
NE61 6JR, England  
T +44 (0)121 50 50 787  
F +44 (0)121 50 50 799  
[sales-uk@enerpac.com](mailto:sales-uk@enerpac.com)

**USA, Latin America and Caribbean**

ENERPAC  
P.O. Box 3241  
Milwaukee WI 53201 USA  
T +1 262 293 1600  
F +1 262 293 7036  
User inquiries:  
T +1 800 433 2766  
Distributor inquiries/orders:  
T +1 800 558 0530  
F +1 800 628 0490  
Technical inquiries:  
[techservices@enerpac.com](mailto:techservices@enerpac.com)  
[sales-us@enerpac.com](mailto:sales-us@enerpac.com)

All Enerpac products are guaranteed against defects in workmanship and materials for as long as you own them.

For the location of your nearest authorized Enerpac Service Center, visit us at [www.enerpac.com](http://www.enerpac.com)