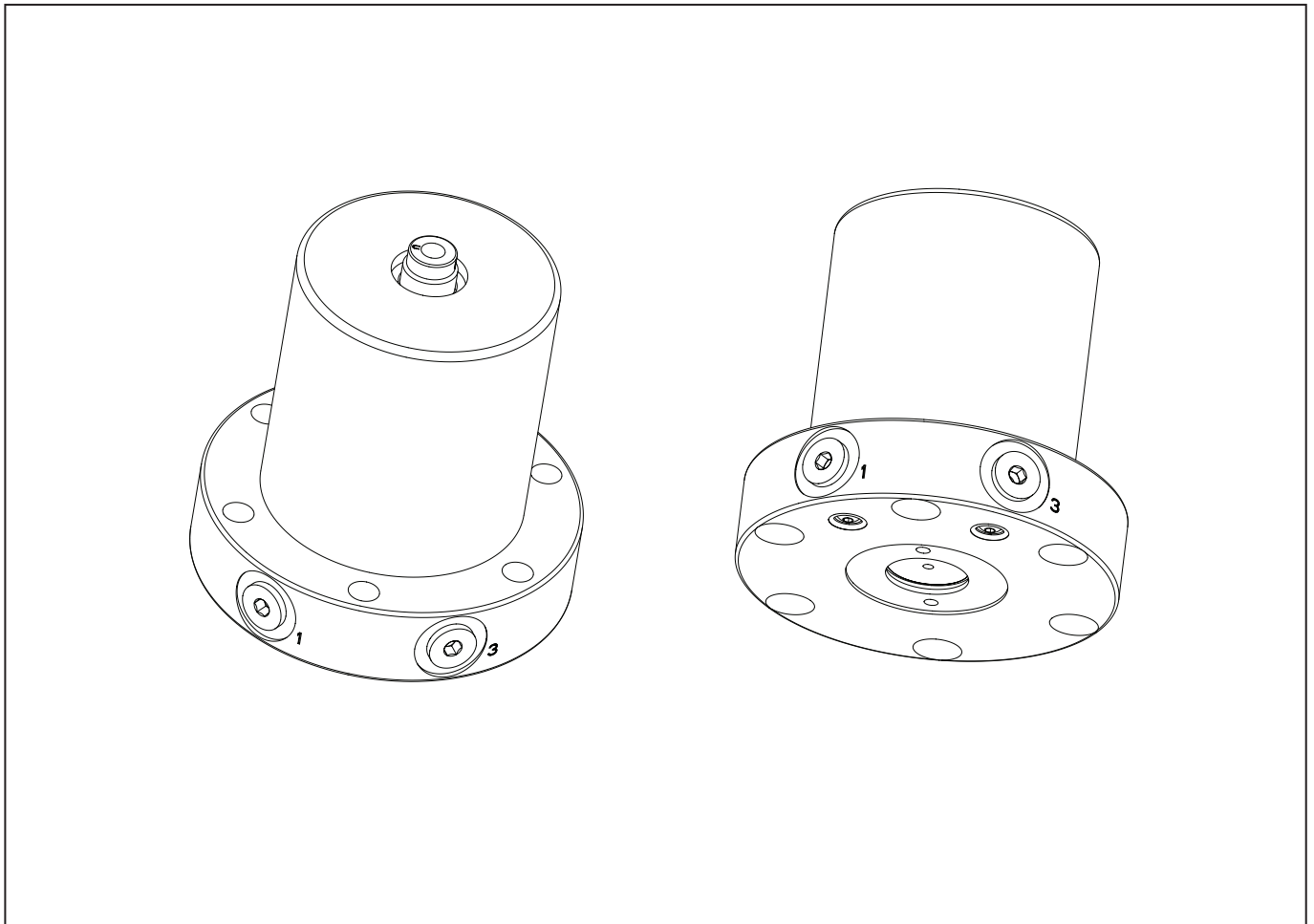


Document Number	Document Revision	Document Revision Date	Product Date Code Beginning With
L4096	A	07/2017	A



To ensure optimum performance of your Enerpac product:

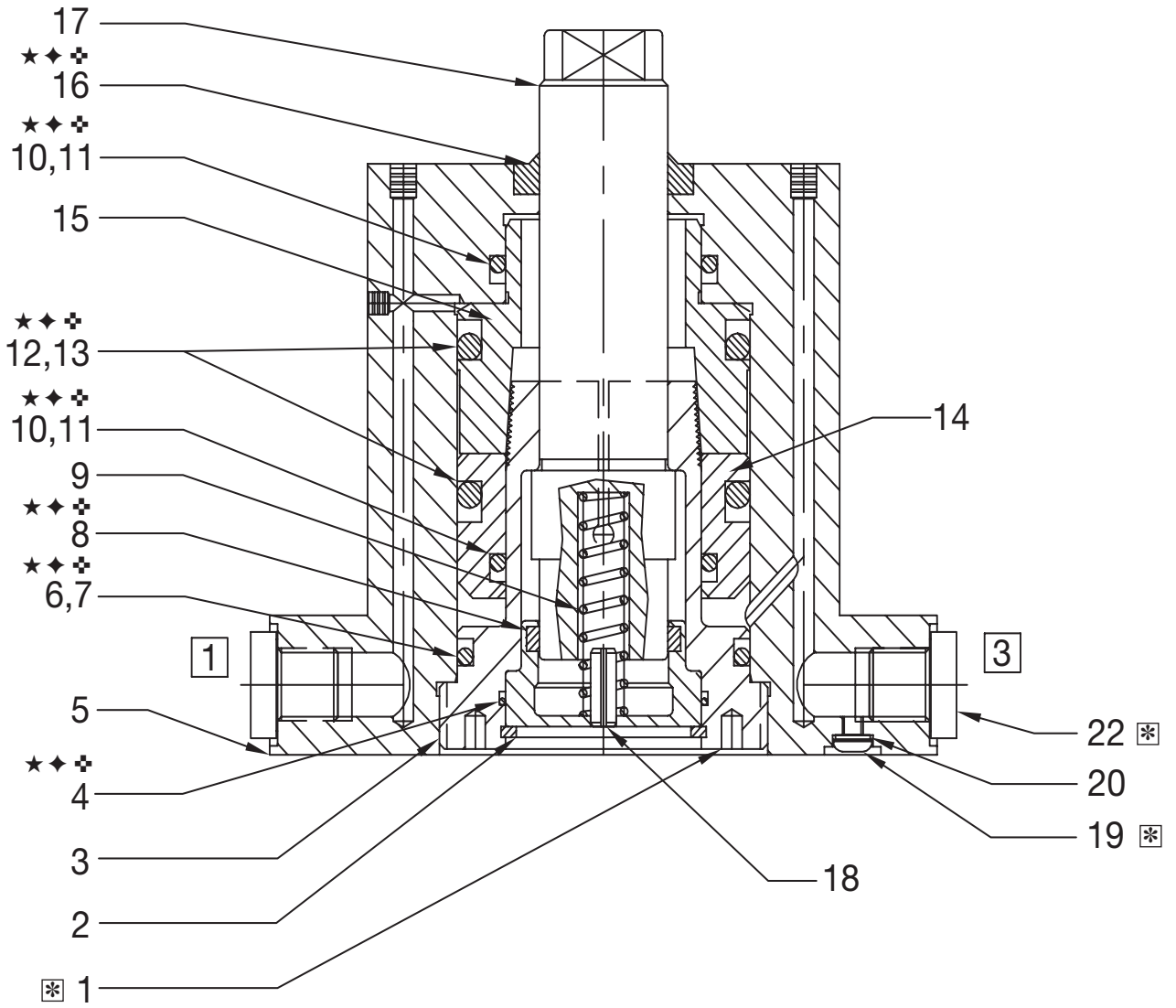
- Use only Enerpac Oil.
- Install all new parts included in each repair kit.
- See your Enerpac Authorized Service Center for factory-authorized product service.



**⚠ WARNING** Be certain that system hydraulic pressure is completely relieved (0 psi/bar) before performing any adjustments, maintenance or repairs.

FIGURE 1 - Sectional View

\* See  on last page.



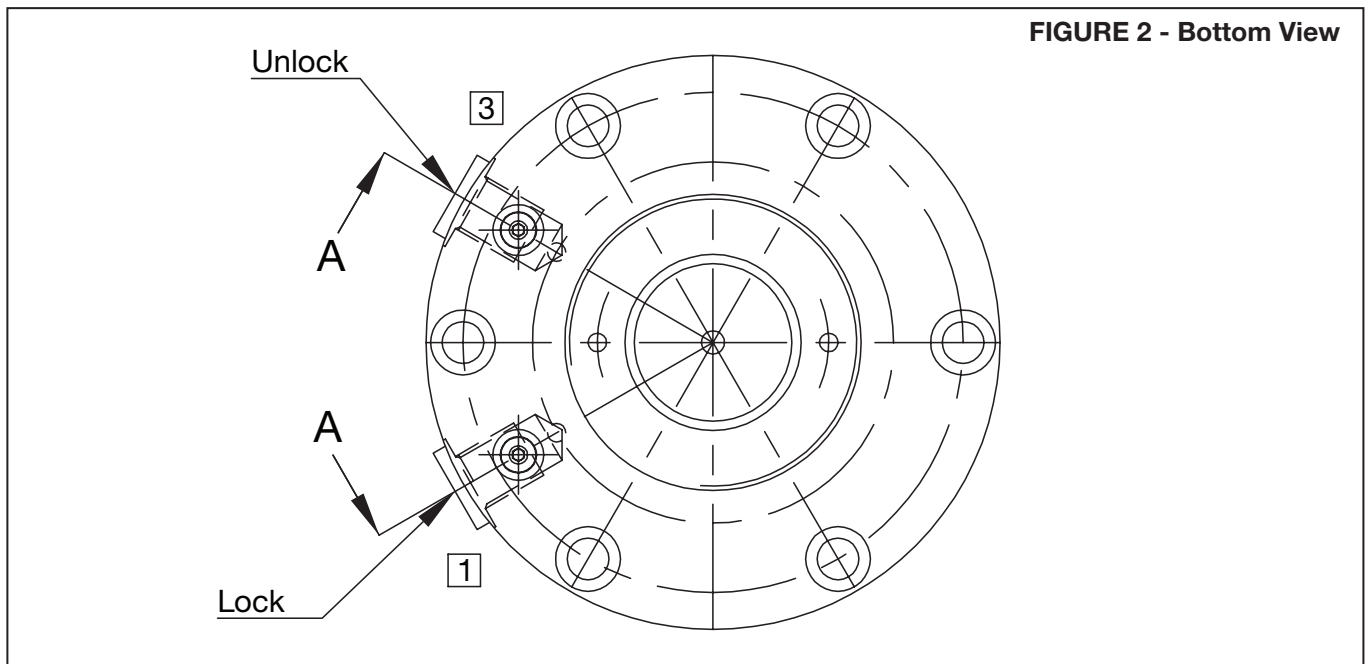
Repair Parts List for Figure 1

L4096

Item	Model Number / Part Number			Qty.	Description
	MPFS-100V WPFS-100V	MPFS-200V WPFS-200V	MPFS450V WPFS450V		
1	CV764047	CV771047	CY479047	1	Wedge
2	CS351044	CCA1038044-1D	CCA1075044-1D	1	Retaining Ring
3	CV766044	CV773044	CY482044	1	Stop Ring
4	★ B1021203	◆ B1029203	✚ B1036203	1	O-Ring
5A	DW1472030	DW1474030	DW1490030	1	Base (Metric)
5B	DW1459030	DW1473030	DW1489030	1	Base (Imperial)
6	★ B1221203	◆ B1226203	✚ B1236203	1	O-Ring
7	★ (not used)	◆ (not used)	✚ B1236564	1	Back Up Washer
8	★ CV768041	◆ CV775041	✚ CY484041	1	Slyd-Ring
9	CV767110	CV774110	CY485110	1	Spring
10	★ B1214203	◆ B1222203	✚ B1230203	2	O-Ring
11	★ (not used)	◆ (not used)	✚ B1230564	2	Back Up Washer
12	★ B1221203	◆ B1328203	✚ B1235203	2	O-Ring
13	★ (not used)	◆ (not used)	✚ B1235564	2	Back Up Washer
14	CS346040	CS356040	CY481040	1	Plunger
15	CV765108	CV772108	CY480108	1	Wedge Ring
16	★ PA1797776	◆ DQ373041	✚ CY488041	1	Wiper
17A	CY559040	CY560040	CY478040	1	Plunger (Metric)
17B	CV480040	CV482040	CY487040	1	Plunger (Imperial)
18	CCA313057-1A	CCA513057-1A	(not used)	1	Spring Pin
19	CBA409028-1E	CBA409028-1E	CBA409028-1E	2	Plug Bolt
20	PA1303167	PA1303167	PA1303167	2	Copper Gasket
21	★ B1011203	◆ B1011203	✚ B1011203	2	O-Ring (not shown)
22A	F100006-1	F100006-1	F100006-1	2	Plug (Metric)
22B	B1003006V	B1003006V	B1003006V	2	Plug ( Imperial)

★ Included in repair kit MPFS100KV. ◆ Included in repair kit MPFS200KV. ✚ Included in repair kit MPFS450KV.

FIGURE 2 - Bottom View





*Service Information			L4096
Fig.	Item	Models	Torque
1	1	Ending in 100V	50,0 Nm [37 ft-lbs.]
1	1	Ending in 200V	80,0 Nm [59 ft-lbs.]
1	1	Ending in 450V	120,0 Nm [88 ft-lbs.]
1	19	(all models)	Not to exceed 3,1 Nm [27 in-lbs.]
1	22	Ending in B1003006V	8,0 Nm [6 ft-lbs.]
1	22	Ending in F100006-1	15,0 Nm [11 ft-lbs.]



Visit [www.enerpac.com](http://www.enerpac.com) for the location of the Enerpac Authorized Service Center nearest you.