

Specifications

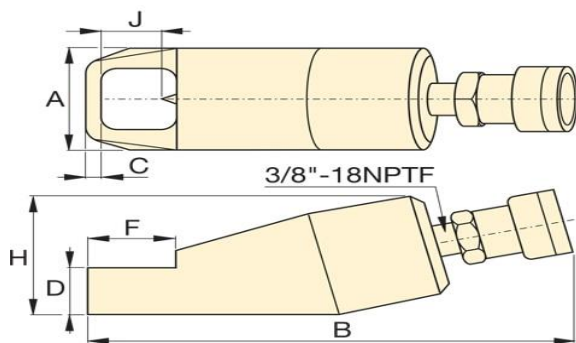
Units: **Imperial** Metric

Maximum Operating Pressure (psi)	10,000
Capacity (imperial tons)	10
Hexagon Nut Range (in)	0.75 - 0.94
Bolt Range (in)	0.50 - 0.63
Maximum Material Hardness	HRC 44
Oil Capacity (in ³)	1.22
Weight (lbs)	8.4

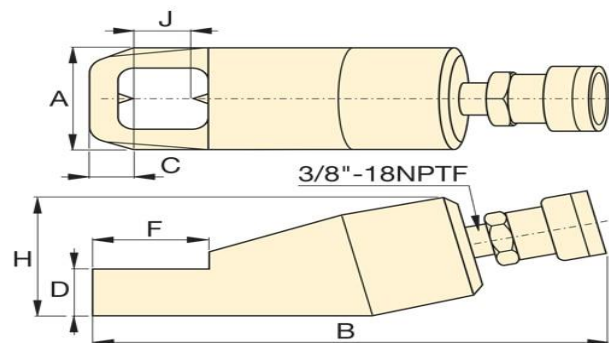
Dimensions

Units: **Imperial** Metric

Dimension A (in)	2.13
Dimension B (in)	6.61
Dimension C (in)	0.87
Dimension D (in)	0.98
Dimension F (in)	1.97
Dimension H (in)	2.60
Dimension J (in)	1.02



Single Blade Models (NC)



Double Blade Models (NC-D)