

Specifications

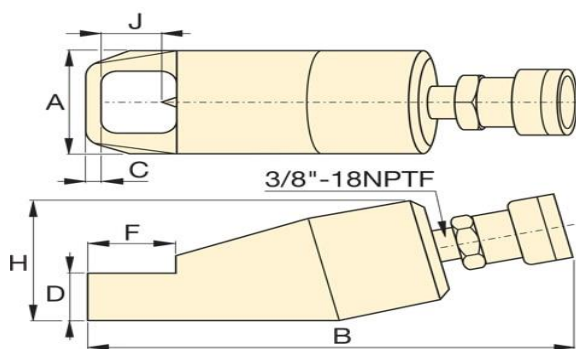
Units: Imperial Metric

Maximum Operating Pressure (psi)	10,000
Capacity (imperial tons)	10
Cutter Head Return Type	Single-Acting, Spring Return
Hexagon Nut Range (in)	.75 - .94
Bolt Range (in)	.50 - .63
Maximum Material Hardness	HRC 44
Oil Capacity (in ³)	1.22
Replacement Chisel Model Number	NCB1924
Weight (lbs)	4.4

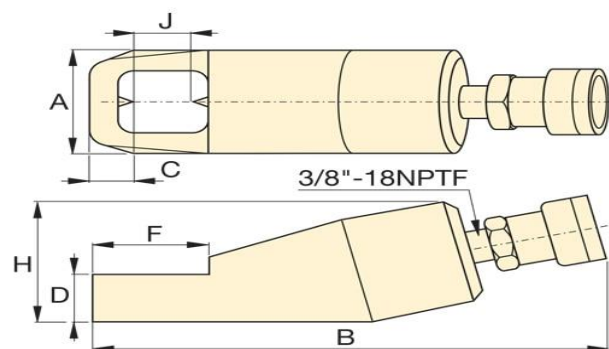
Dimensions

Units: Imperial Metric

Dimension A (in)	2.17
Dimension B (in)	7.52
Dimension C (in)	0.32
Dimension F (in)	1.57
Dimension H (in)	2.44



Single Blade Models (NC)



Double Blade Models (NC-D)