

## Specifications

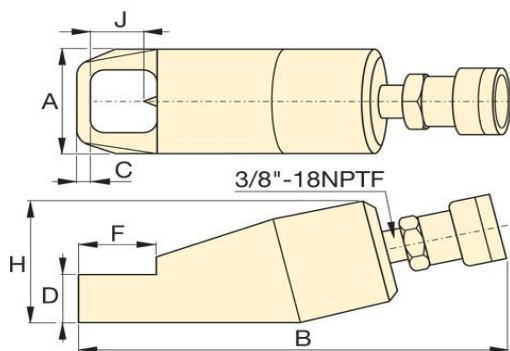
Units: **Imperial** Metric

Maximum Operating Pressure (psi)	10,000
Capacity (imperial tons)	15
Hexagon Nut Range (in)	0.94 - 1.13
Bolt Range (in)	0.63 - 0.88
Maximum Material Hardness	HRC 44
Oil Capacity (in <sup>3</sup> )	3.66
Weight (lbs)	11.9

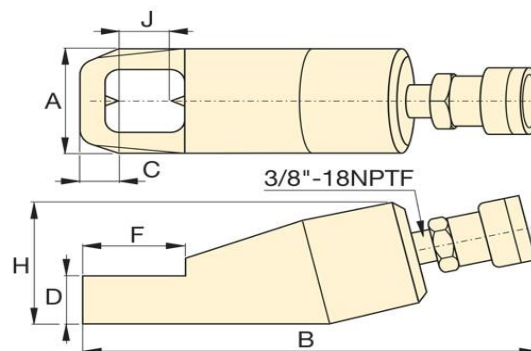
## Dimensions

Units: **Imperial** Metric

Dimension A (in)	2.52
Dimension B (in)	10.83
Dimension C (in)	0.98
Dimension D (in)	1.22
Dimension F (in)	2.56
Dimension H (in)	3.07
Dimension J (in)	1.30



**Single Blade Models (NC)**



**Double Blade Models (NC-D)**