

Specifications

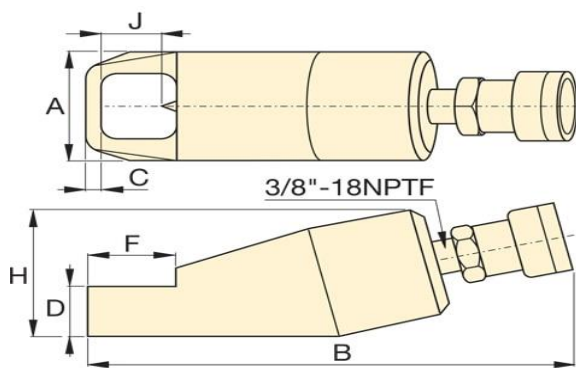
Units: **Imperial** Metric

| | |
|----------------------------------|------------------------------|
| Maximum Operating Pressure (psi) | 10,000 |
| Capacity (imperial tons) | 15 |
| Cutter Head Return Type | Single-Acting, Spring Return |
| Hexagon Nut Range (in) | .94 - 1.13 |
| Bolt Range (in) | .63 - .88 |
| Maximum Material Hardness | HRC 44 |
| Oil Capacity (in ³) | 3.66 |
| Replacement Chisel Model Number | NCB2432 |
| Weight (lbs) | 6.6 |

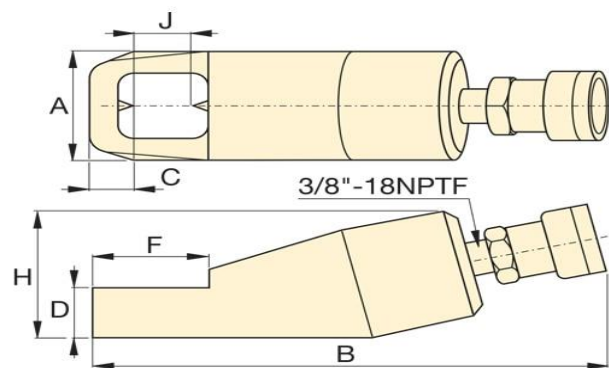
Dimensions

Units: **Imperial** Metric

| | |
|------------------|------|
| Dimension A (in) | 2.52 |
| Dimension B (in) | 8.74 |
| Dimension C (in) | 0.39 |
| Dimension F (in) | 2.01 |
| Dimension H (in) | 2.83 |



Single Blade Models (NC)



Double Blade Models (NC-D)