

## Specifications

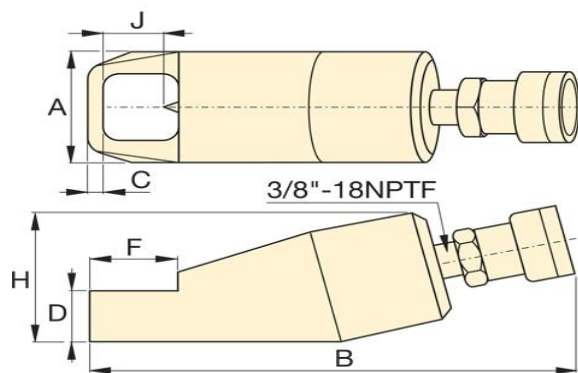
Units: **Imperial** Metric

|                                  |             |
|----------------------------------|-------------|
| Maximum Operating Pressure (psi) | 10,000      |
| Capacity (imperial tons)         | 20          |
| Hexagon Nut Range (in)           | 1.13 - 1.56 |
| Bolt Range (in)                  | 0.88 - 1.13 |
| Maximum Material Hardness        | HRC 44      |
| Oil Capacity (in <sup>3</sup> )  | 4.88        |
| Weight (lbs)                     | 15.9        |

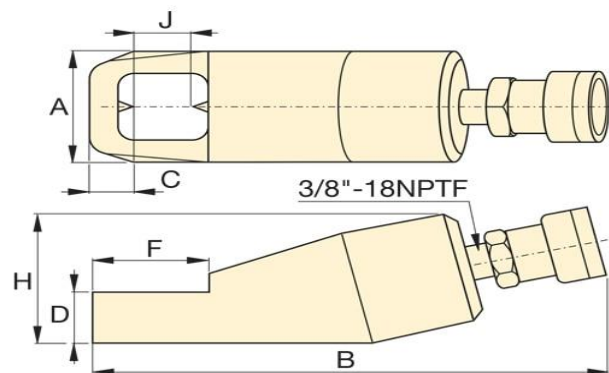
## Dimensions

Units: **Imperial** Metric

|                  |       |
|------------------|-------|
| Dimension A (in) | 3.03  |
| Dimension B (in) | 12.00 |
| Dimension C (in) | 1.22  |
| Dimension D (in) | 1.46  |
| Dimension F (in) | 3.15  |
| Dimension H (in) | 3.54  |
| Dimension J (in) | 1.69  |



**Single Blade Models (NC)**



**Double Blade Models (NC-D)**