

Specifications

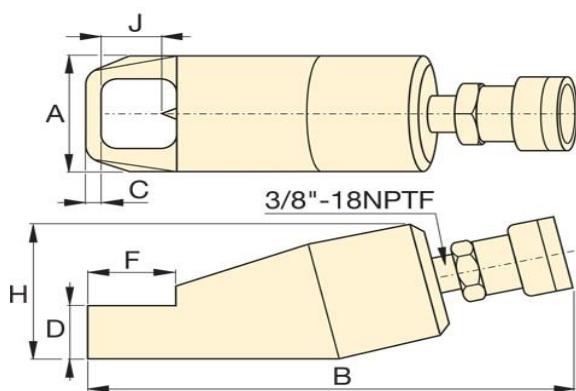
Units: **Imperial** Metric

Maximum Operating Pressure (psi)	10,000
Capacity (imperial tons)	20
Cutter Head Return Type	Single-Acting, Spring Return
Hexagon Nut Range (in)	1.13 - 1.56
Bolt Range (in)	.88 - 1.13
Maximum Material Hardness	HRC 44
Oil Capacity (in ³)	4.88
Replacement Chisel Model Number	NCB3241
Weight (lbs)	9.7

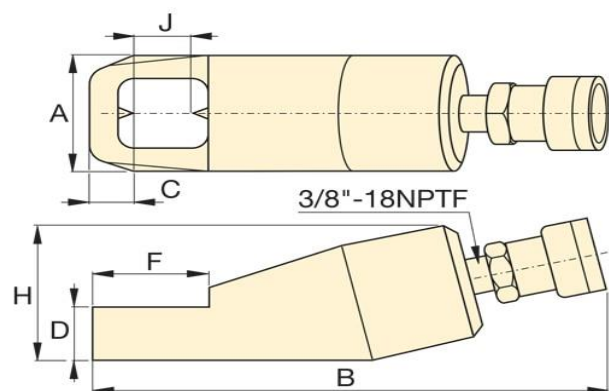
Dimensions

Units: **Imperial** Metric

Dimension A (in)	2.95
Dimension B (in)	9.61
Dimension C (in)	0.67
Dimension F (in)	2.60
Dimension H (in)	3.46



Single Blade Models (NC)



Double Blade Models (NC-D)