

## Specifications

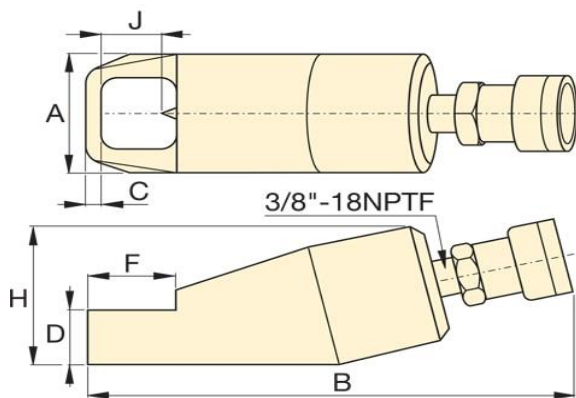
Units: **Imperial** Metric

Maximum Operating Pressure (psi)	10,000
Capacity (imperial tons)	35
Cutter Head Return Type	Single-Acting, Spring Return
Hexagon Nut Range (in)	1.56 - 2.00
Bolt Range (in)	1.13 - 1.38
Maximum Material Hardness	HRC 44
Oil Capacity (in <sup>3</sup> )	9.46
Replacement Chisel Model Number	NCB4150
Weight (lbs)	18

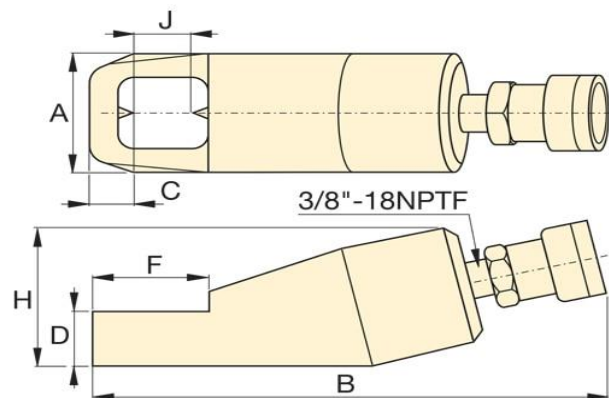
## Dimensions

Units: **Imperial** Metric

Dimension A (in)	3.70
Dimension B (in)	11.34
Dimension C (in)	0.83
Dimension F (in)	2.91
Dimension H (in)	4.13



**Single Blade Models (NC)**



**Double Blade Models (NC-D)**