

Specifications

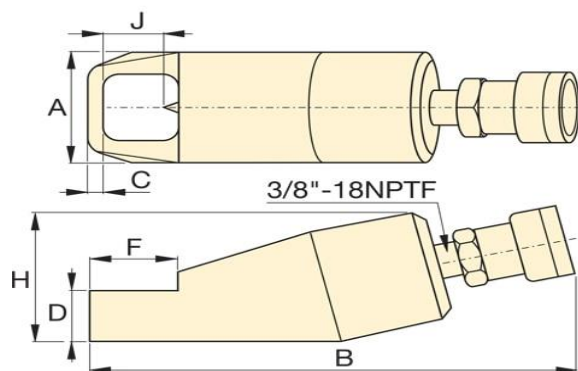
Units: **Imperial** Metric

Maximum Operating Pressure (psi)	10,000
Capacity (imperial tons)	50
Cutter Head Return Type	Single-Acting, Spring Return
Hexagon Nut Range (in)	2.00 - 2.25
Bolt Range (in)	1.38 - 1.50
Maximum Material Hardness	HRC 44
Oil Capacity (in ³)	14.64
Replacement Chisel Model Number	NCB5060
Weight (lbs)	26

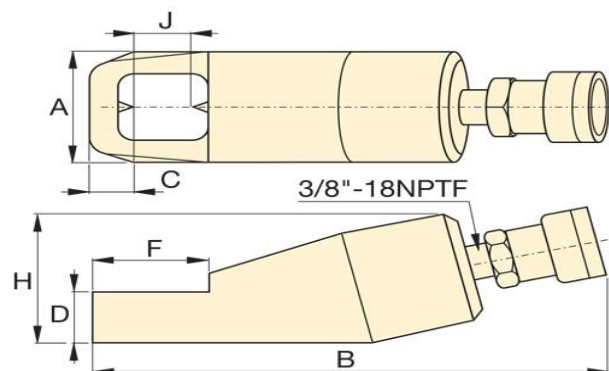
Dimensions

Units: **Imperial** Metric

Dimension A (in)	4.17
Dimension B (in)	12.52
Dimension C (in)	0.91
Dimension F (in)	3.54
Dimension H (in)	5.04



Single Blade Models (NC)



Double Blade Models (NC-D)