

Specifications

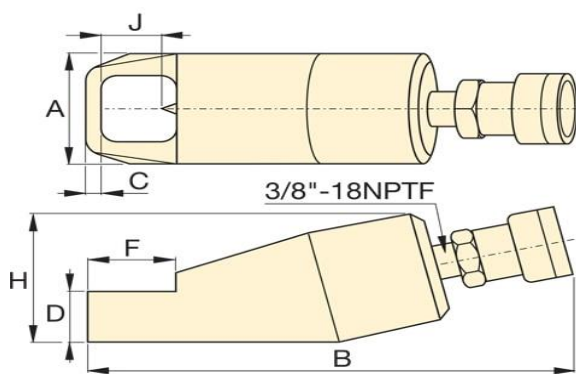
Units: **Imperial** Metric

Maximum Operating Pressure (psi)	10,000
Capacity (imperial tons)	90
Cutter Head Return Type	Single-Acting, Spring Return
Hexagon Nut Range (in)	2.38 - 2.88
Bolt Range (in)	1.50 - 1.88
Maximum Material Hardness	HRC 44
Oil Capacity (in ³)	30.00
Replacement Chisel Model Number	NCB6075
Weight (lbs)	75.1

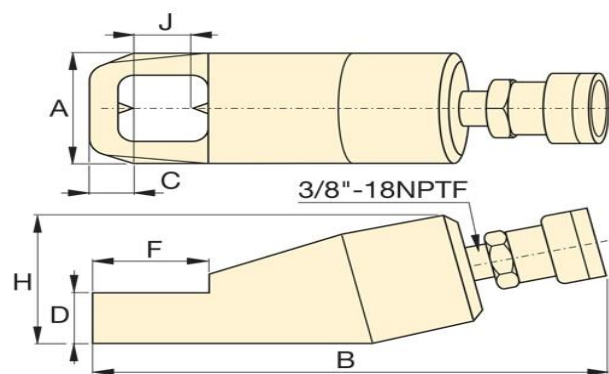
Dimensions

Units: **Imperial** Metric

Dimension A (in)	6.14
Dimension B (in)	15.47
Dimension C (in)	1.02
Dimension F (in)	4.33
Dimension H (in)	7.13



Single Blade Models (NC)



Double Blade Models (NC-D)