



Repair Parts Sheet

Hand Pump
P301

TD227 Rev. A 12/2019

Product Date Code Beginning With "A"

To Protect Your Warranty, Use Only SIMPLEX Hydraulic Oil.

Simplex recommends that all kit components be installed to ensure optimum performance of the repaired product.

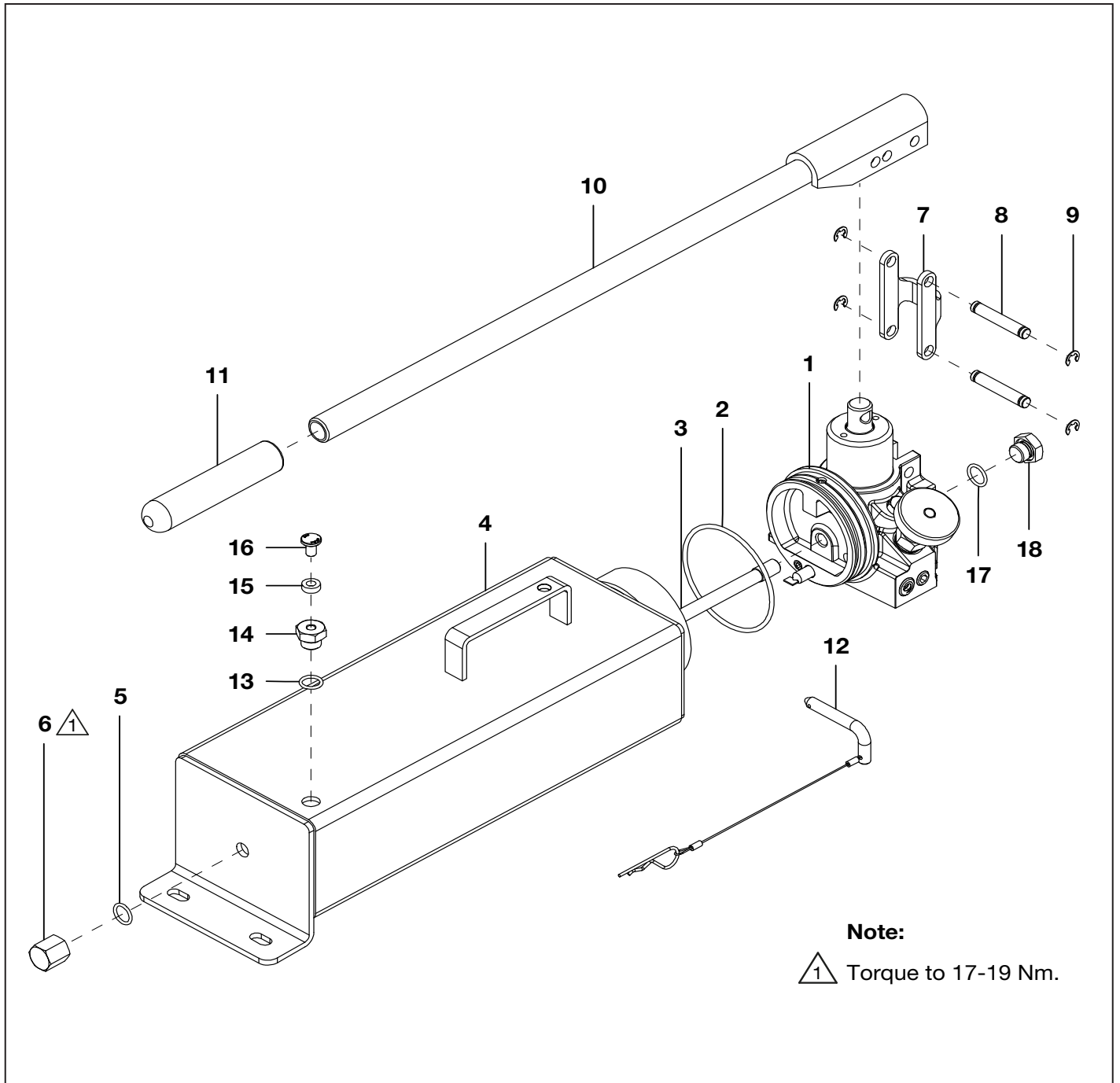


Figure 1

Repair Parts List for Figure 1			
Item No.	Part Number	Qty.	Description
1	6067264	1	Pump Housing
2	★6067222	1	O-Ring
3	6067157	1	Tie Rod
4	6067137	1	Reservoir
5	★6067006	1	O-Ring
6	6067007	1	Nut
7	*6067142	1	Link Connector
8	*6067163	2	Pin
9	*6067274	4	E-Ring
10	*6067128	1	Handle

Repair Parts List for Figure 1 (Continued)			
Item No.	Part Number	Qty.	Description
11	*6067234	1	Handle Grip
12	*6067126	1	Chain
13	★6067208	1	O-Ring
14	6067182	1	Breather Nut
15	★6067225	1	Seal
16	6067255	1	Breather
17	★6045170	1	O-Ring
18	6067035	1	Screw
19	◆88489	1	Decal, Model
20	◆89574	1	Decal, Instruction

Notes:

★ Included in Seal Kit DD8081900. ◆ Included in Decal Kit DD8078900. * Included in Handle kit DD8082900.

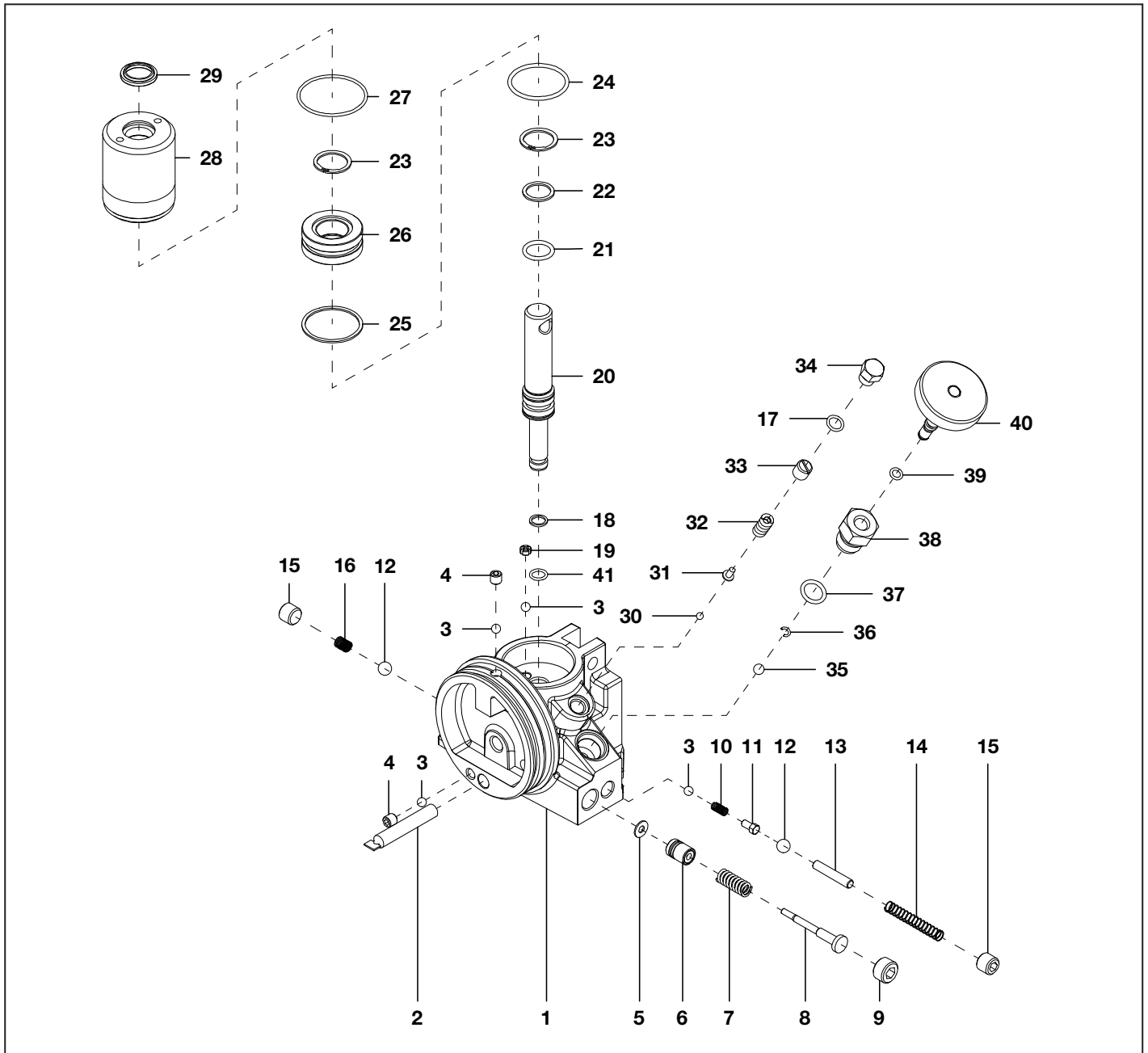


Figure 2

Repair Parts List for Figure 2			
Item No.	Part Number	Qty.	Description
1	6067198	1	Pump Housing
2	6067307	1	Oil Filter
3	6067300	4	Steel Ball
4	6067244	2	Screw
5	6067271	2	Washer
6	6067125	1	Bushing
7	6067289	1	Spring
8	6067164	1	Control Bolt
9	6067251	1	Pipe Plug
10	6067283	1	Spring
11	6067171	1	Spring End Cap
12	6067301	2	Steel Ball
13	6067170	1	Pin
14	6067288	1	Spring
15	6067250	2	Set Screw
16	6067287	1	Spring
17	★ 6067215	1	O-Ring
18	✦★ 6067210	1	Back-Up Ring
19	6067155	1	Screw
20	✦ 6067161	1	Piston
21	✦★ 6067218	1	O-Ring
22	✦★ 6067211	1	Back-Up Ring
23	✦ 6067267	2	Inverted Retaining Ring
24	✦★ 6067219	1	O-Ring
25	✦★ 6067212	1	Back-Up Ring
26	✦★ 6067162	1	Cup Seal
27	✦★ 6067231	1	O-Ring
28	6067187	1	Piston Housing
29	✦★ 6067213	1	Wiper
30	6067012	1	Steel Ball
31	6067166	1	Spring End Cap
32	6067284	1	Spring
33	6067158	1	Screw
34	6067159	1	Screw
35	✦ 6067302	1	Steel Ball
36	✦ 6067273	1	Retaining Ring
37	✦★ 6067217	1	O-Ring
38	✦ 6067165	1	Coupler
39	✦★ 6067214	1	O-Ring
40	✦ 6067124	1	Release Valve
41	✦★ 6067216	1	O-Ring

Notes:

★ Included in Seal Kit DD8081900.

✦ Included in Release Handle Kit DD8083900.

✦ Included in Plunger Kit DD8084900.



N86 W12500 Westbrook Crossing
Menomonee Falls, WI 53051
Phone - USA Only: 1 (800) 323-9114
Phone - Inside/Outside USA: 1 (262) 293-1575
Fax: 1 (262) 597-1127
www.tksimplex.com