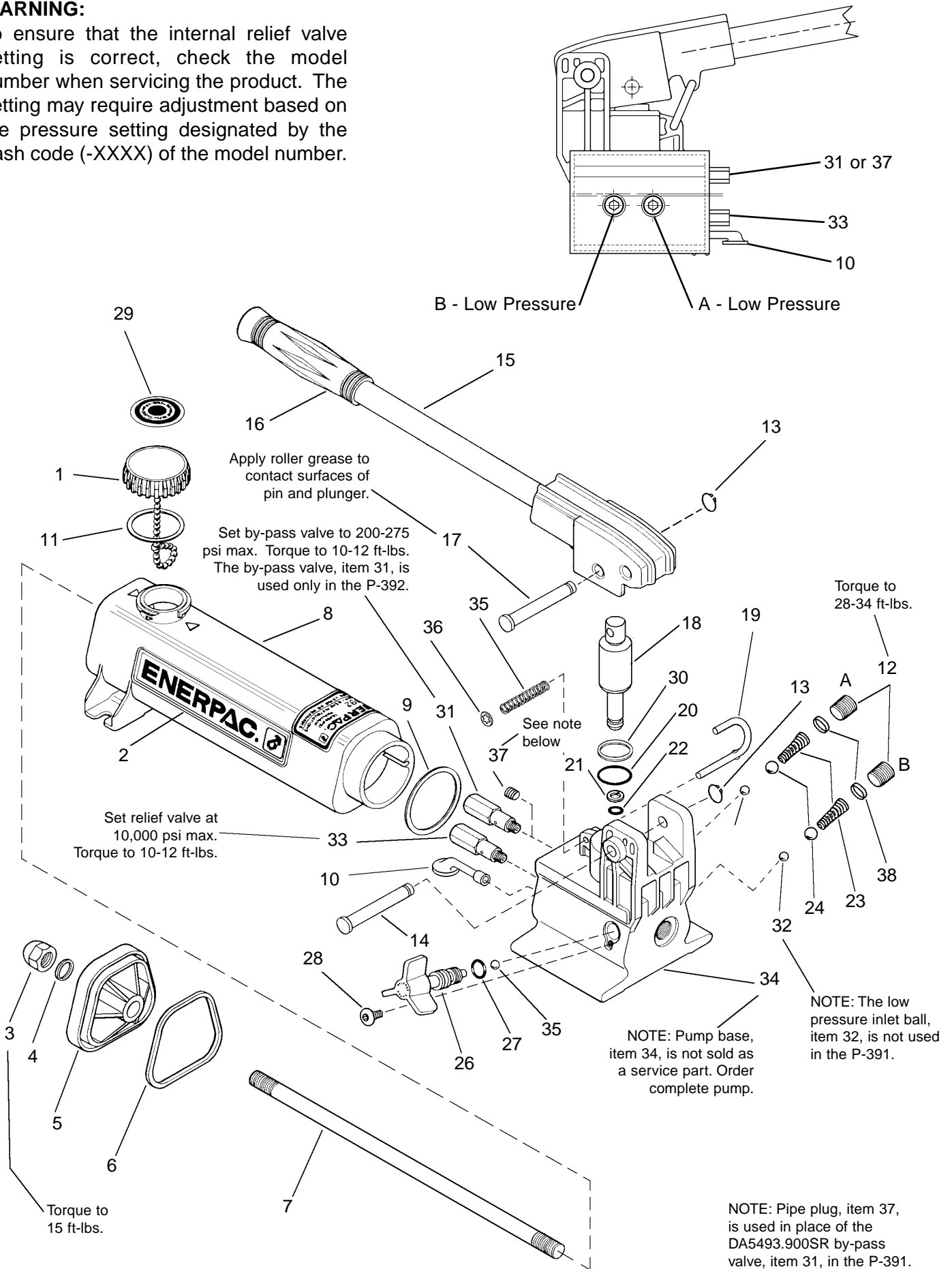




TO PROTECT YOUR WARRANTY, USE ONLY ENERPAC HYDRAULIC OIL.

WARNING:

To ensure that the internal relief valve setting is correct, check the model number when servicing the product. The setting may require adjustment based on the pressure setting designated by the dash code (-XXXX) of the model number.



PARTS LIST

Item No.	Part Number	Qty.	Description
1	CN766950SR	1	Vent Cap Assembly (incl. item 11,29)
2	★	1	Decal (models P391, P392)
	★	1	Decal (models 1004, 1005)
3	CL341055	1	Acorn Nut
4	★	1	Gasket
5	CN814020SR	1	End Cap (incl. item 3,4,6)
6	★	1	Gasket O-Ring
7	CL127149	1	Tie Rod
8	CR72025SR	1	Reservoir (yellow incl. item 2,3,4,6,9,11)
	S95032025	1	Reservoir (red incl. item 2,3,4,6,9,11)
9	★	1	Gasket
10	★DA3729900SR	1	Oil Filter
11	★	1	Gasket
12	CN815006	2	Pipe Plug
13	★	2	Retaining Ring
14	★CR214061SR	1	Beam Pin (incl. item 13)
15	CL918900	1	Beam and Handle Assembly
16	CL343550	1	Handle Grip
17	DC106061SR1	1	Cross Pin
18	CR333040SR	1	Plunger Assembly (incl. item 13,17)
19	CM927061SR	1	Locking Pin (incl. item 35,36)
20	★	1	O-Ring
21	★	1	Back-Up Ring
22	★	1	O-Ring
23	★	2	Spring
24	★	2	5/16" Ball
25	★	2	7/32" Ball
26	CL913900SR	1	Spindle Assembly (incl. item 25,27,28)
27	★	1	O-Ring
28	★	1	Screw
29	★	1	Vent Cap Decal
30	★	1	Back-Up Washer
31	DA5493900SR	1	Bypass Valve (P392 Only)
32	★	1	Inlet Check Ball (P392 Only)
33	DA8802900SR	1	Relief Valve
34	Order complete pump.	1	Base (not available as service item)
35	★	1	Spring
36	★	1	Retaining Ring
37	A1006245	1	Pipe Plug (P391 Only)
38	★	2	Spring Cap

★ Indicates items included in, and available only as part of Repair Kit P391K2

NOTE: Bypass Valve, Item 31, and Inlet Check Ball, Item 32, are not used in the single-speed P391model Pump.
Use Item 37 in place Of Item 31.

Australia

ENERPAC, Applied Power Australia Ltd.
Block V Unit 3,
Regents Park Estate,
391 Park Road
Regents Park NSW 2143
(P.O. Box 261) Australia
Tel: +61 297 438 988
Fax: +61 297 438 648

Brazil

Power Packer do
Brasil LTDA
Avenida Ferraz
Alvim n° 1012
(09961-550) - Diadema
S°o Paulo, Brazil
Tel: +55 11 4051 1188
Fax: +55 11 4051 3699

China

Shanghai Blackhawk
Machinery Co Ltd
15H Jinxuan Building
238 Nandan Road (E)
Shanghai, 200030, China
Tel: +86 21 6469 8732
Fax: +86 21 6469 8721

**France, Greece, Turkey, Middle East,
Africa**

ENERPAC S.A.
B.P. 200, Parc d ActivitØs
du Moulin de Massy
F-91882 Massy CEDEX (Paris) France
Tel: +33 01 601 368 68
Fax: +33 01 692 037 50

**Germany, Denmark, Scandinavia,
Austria, Switzerland, Eastern**

Europe, CIS
ENERPAC
Applied Power GmbH
P.O. Box 300113
D-40401 D sseldorf, Germany
Tel: +49 211 471 490
Fax: +49 211 471 49 28/40

Holland, Belgium, Luxembourg,

ENERPAC B.V.
Storkstraat 25
P.O. Box 269
3900 AG Veenendaal, Holland
Tel: +31 318 535 911
Fax: +31 318 535 848
+31 318 526 645

Hong Kong

ENERPAC
Room 907 Workingberg
Commercial Building
41-47 Marble Road,
North Point
Tel: +852-2561 6295
Fax: +852-2561 6772

India

ENERPAC
Hydraulic (India) Pvt Ltd
Plot No. A-571
MIDC, TTC Industrial Area
Mahape-400 701,
Navi Mumbai, India
Tel: +91 22 769 47 78
Fax: +91 22 769 84 73

Italy

ENERPAC Applied Power Italiana S.p.A.
Via Canova 4,
20094 Corsico (Milano)
Tel: +39 2 486 111 00
Fax: +39 2 486 012 88

Japan

Applied Power Japan Ltd.
10-17 Sasame Kita-Machi
Toda-Shi, Saitama #335, Japan
Tel: +81 048 421 2311
Fax: +81 048 421 8949

Malaysia

Applied Power Hytec (M) Sdn Bhd 22-1,
Jalan SS 15/8B
Subang Jaya, 47500
P.J. Selangor
West Malaysia
Tel: (0203) 73729 23/39/19
Fax: (0203) 737 29 18

Mexico

ENERPAC Applied Power Mexico S.A. de
C.V.
Avenida Principal,
La Paz #100
Fracc. Industrial La Paz
42084 Pachuca, Hidalgo
Tel: +52 771 337 00
Fax: +52 771 838 00

Singapore

Applied Power Asia Pte Ltd
47 Jalan Pemimpin,
#01-02 & 01-03
Sin Cheong Bldg
Singapore 577200
Thomson Road,
P.O. Box 114
Singapore 915704
Tel: +65 258 16 77
Fax: +65 258 28 47

South Korea

ENERPAC
Applied Power Korea Ltd.
163-12 Dodang-Dong, Choong-Ku,
Buchun-shi, Kyunggi-Do
Republic of Korea
Tel: +82 32 675 08 36
Fax: +82 32 675 30 02

Spain, Portugal

ENERPAC Applied Power International S.A.
A. Valgrande 14
Nave 12
28108 Alcobendas (Madrid), Spain
Tel: +34 91 661 11 25
Fax: +34 91 661 47 89

United Kingdom, Ireland

ENERPAC Limited
Unit 3 Colemeadow Road
North Moons Moat, Redditch
Worcester B98 9PB
United Kingdom
Tel: +44 01527 598 900
Fax: +44 01527 585 500

**USA, Canada, Latin America and
Caribbean**

ENERPAC
6101 N. Baker Road
Milwaukee, WI 53209 USA
Tel: +1 414 781 66 00
Fax: +1 414 781 10 49

USA

User inquiries:
+1 800 433 2766
Distributor inquiries/orders:
+1 800 558 0530

Canada

User inquiries:
+1 800 426 4129
Distributor inquiries/orders:
+1 800 426 2284

Internet

www.enerpac.com

e-mail

info@enerpac.com

**All Enerpac products are guaranteed against defects in workmanship and materials for as long as you own them.
Under this guarantee, free repair or replacement will be made to your satisfaction.**

For your nearest authorized Enerpac Service Center, visit us at www.enerpac.com

Enerpac, a unit of  Tools and Supplies.