

## Specifications

Units:

**Imperial**

Metric

|                                                          |                              |
|----------------------------------------------------------|------------------------------|
| Maximum Operating Pressure (psi)                         | 10,000                       |
| Pressure Rating (psi) 1st Stage                          | 400                          |
| Pressure Rating (psi) 2nd Stage                          | 10,000                       |
| Cylinder Compatibility                                   | Single-acting                |
| Pump Type                                                | Two Speed                    |
| Reservoir Capacity (in <sup>3</sup> )                    | 155                          |
| Usable Oil Capacity (in <sup>3</sup> )                   | 155                          |
| Maximum Flow at Rated Pressure                           | .151 in <sup>3</sup> /stroke |
| Oil Displacement per Stroke (in <sup>3</sup> ) 1st Stage | 2.4                          |
| Oil Displacement per Stroke (in <sup>3</sup> ) 2nd Stage | 0.151                        |
| Maximum Handle Effort (lbs)                              | 95                           |
| Piston Stroke (in)                                       | 1                            |
| Valve Operation                                          | Manual                       |
| Power Source                                             | Manual                       |
| Weight (lbs)                                             | 18                           |

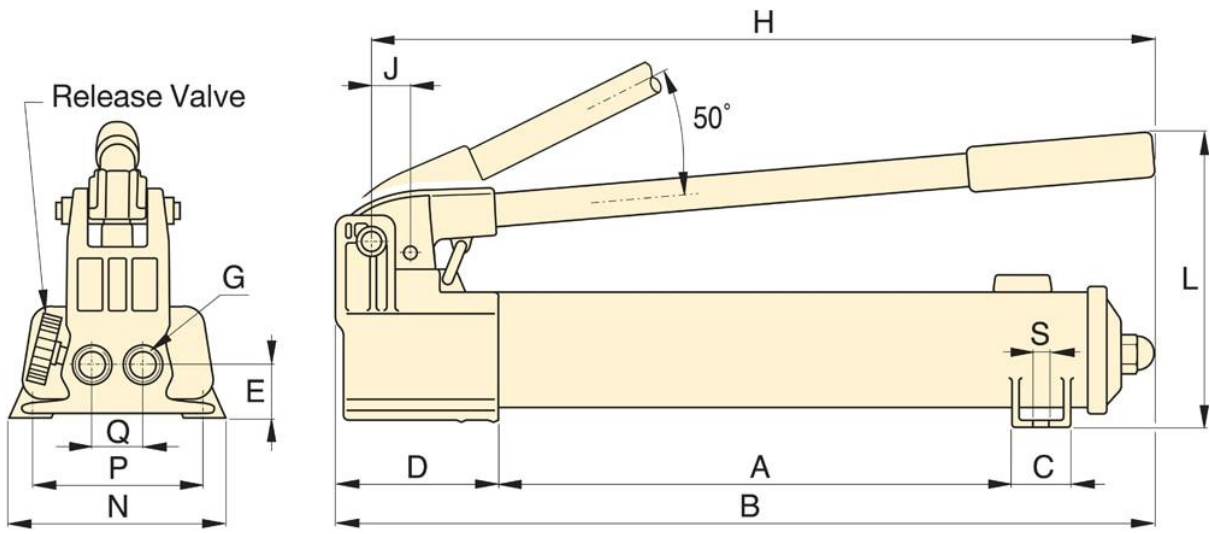
## Dimensions

Units:

**Imperial**

Metric

|                  |                |
|------------------|----------------|
| Dimension A (in) | 13.3           |
| Dimension B (in) | 21.75          |
| Dimension C (in) | 1.78           |
| Dimension D (in) | 5.25           |
| Dimension E (in) | 1.39           |
| Dimension G (in) | 3/8" - 18 NPTF |
| Dimension H (in) | 20.75          |
| Dimension J (in) | 2.19           |
| Dimension L (in) | 9              |
| Dimension N (in) | 7.12           |
| Dimension P (in) | 6.02           |
| Dimension Q (in) | 1.4            |
| Dimension S (in) | 0.41           |



**P-802**