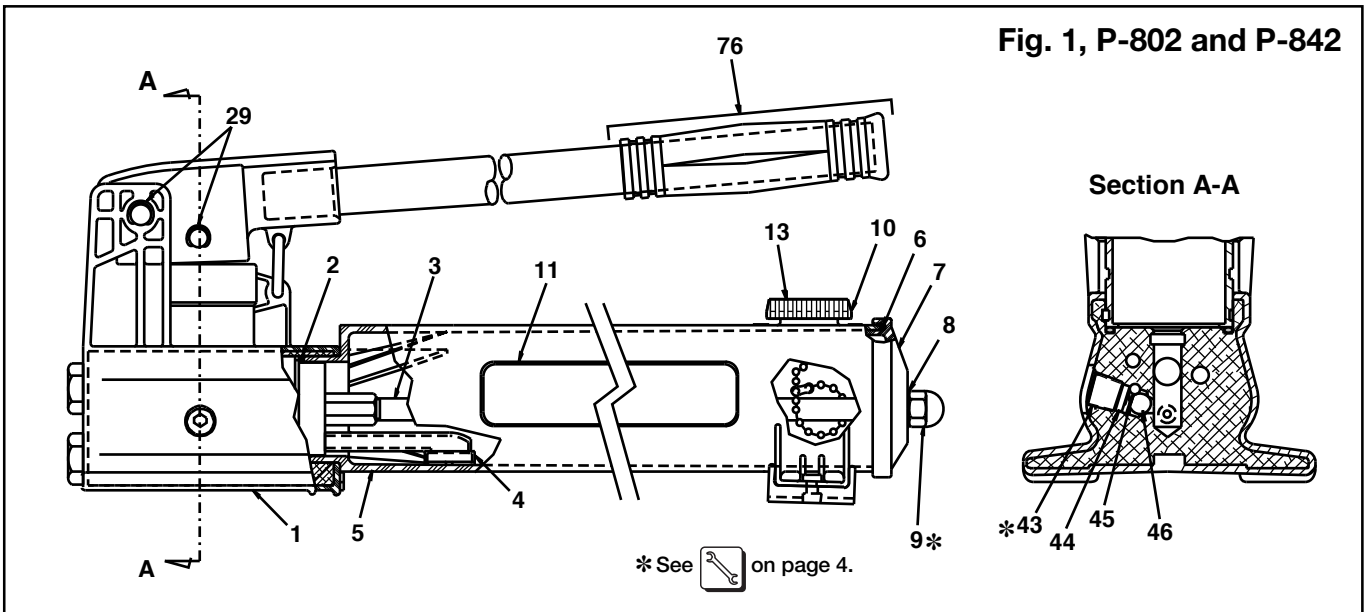


| Repair Parts Sheet | Revision | Revision Date | Product Code Beginning |
|--------------------|----------|---------------|------------------------|
| L2124 | Rev. H | 03/2011 | A |

Fig. 1, P-802 and P-842



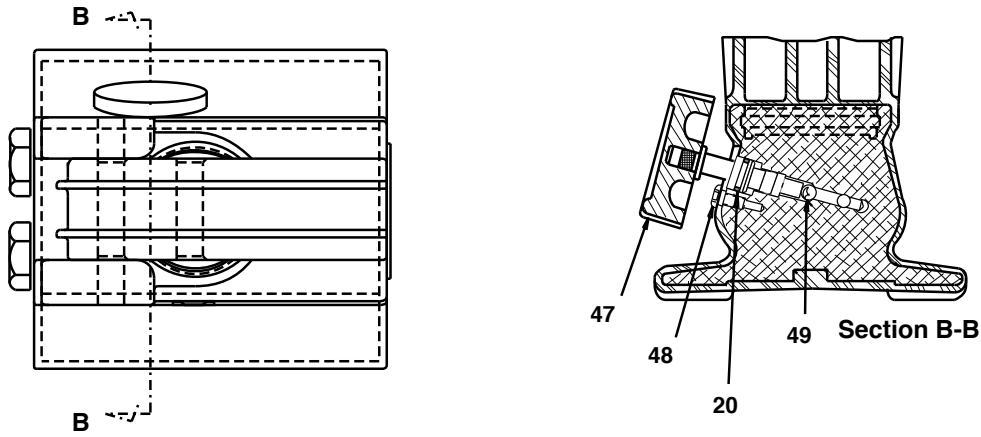
Repair Parts List, Fig. 1

L2124

| Item | Part Number | Qty. | Description | Item | Part Number | Qty. | Description |
|------|------------------------|------|--------------------|------|-------------|------|-------------------------|
| 1 | (not sold for service) | 1 | Pump Base | 11 | ▲ DC690026 | 2 | Enerpac Decal |
| 2 | ▲ B1270503 | 1 | O-Ring | 12 | DA5255026 | 1 | Model Number Decal |
| 3 | DA7957149 | 1 | Tie Rod | 13 | ▲ CN780026 | 1 | Vent Cap Decal |
| 4 | ▲ DA3729900SR | 1 | Filter Assembly | 29 | DA1177349 | 2 | Retaining Ring |
| 5 | DA8384900SR | 1 | Reservoir Assembly | 43 | CN815006 | 1 | Pipe Plug |
| 6 | ▲ B1291503 | 1 | O-Ring | 44 | ▲ DA3702020 | 1 | Spring Cap |
| 7 | CN823020 | 1 | End Cap | 45 | ▲ DA1176210 | 1 | Conical Spring |
| 8 | ▲ CU293167 | 1 | Gasket | 46 | ▲ B1009016 | 2 | Ball |
| 9 | CL341055 | 1 | Acorn Nut | 76 | CL343550 | 1 | Handle Grip |
| 10 | CN766950SR | 1 | Vent Cap Assembly | 77 | ▲ DC1357026 | 1 | Decal, Bypass Opr. (NS) |

▲ Indicated items are available only as part of repair kit P842K50. (NS) = Not Shown.

Fig. 2, P-802 Only - Section B-B



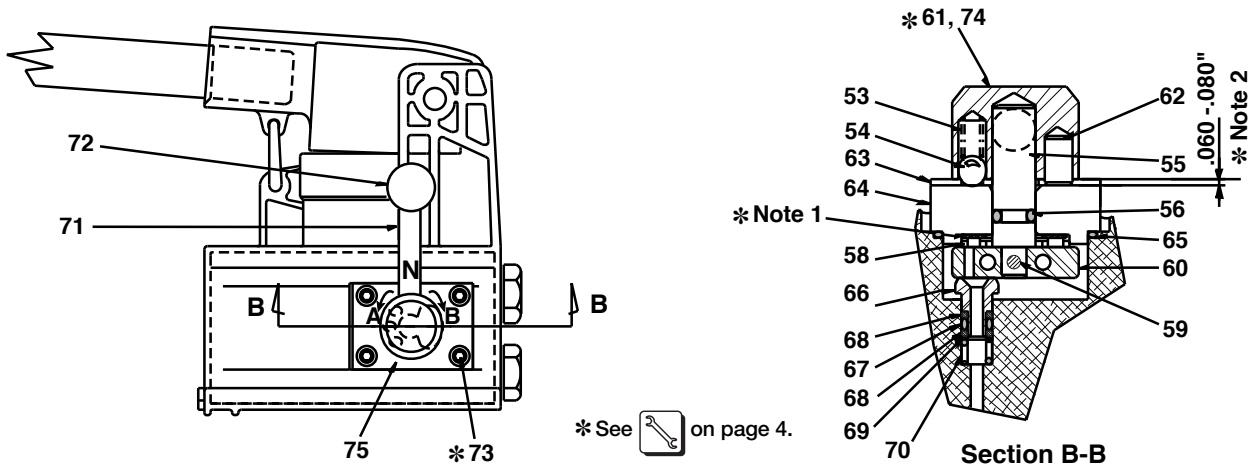
Repair Parts List, Fig. 2

L2124

| Item | Part Number | Qty. | Description | Item | Part Number | Qty. | Description |
|------|-------------|------|---------------|------|-------------|------|-----------------------|
| 20 | ▲ B1007503 | 1 | O-Ring | 48 | CU921028 | 1 | Truss Hd. Mach. Screw |
| 47 | DA6301900 | 1 | Valve Spindle | 49 | ▲ B1006016 | 1 | Ball |

▲ Indicated items are available only as part of repair kit P842K50.

Fig. 3, P-842 Only - Section B-B



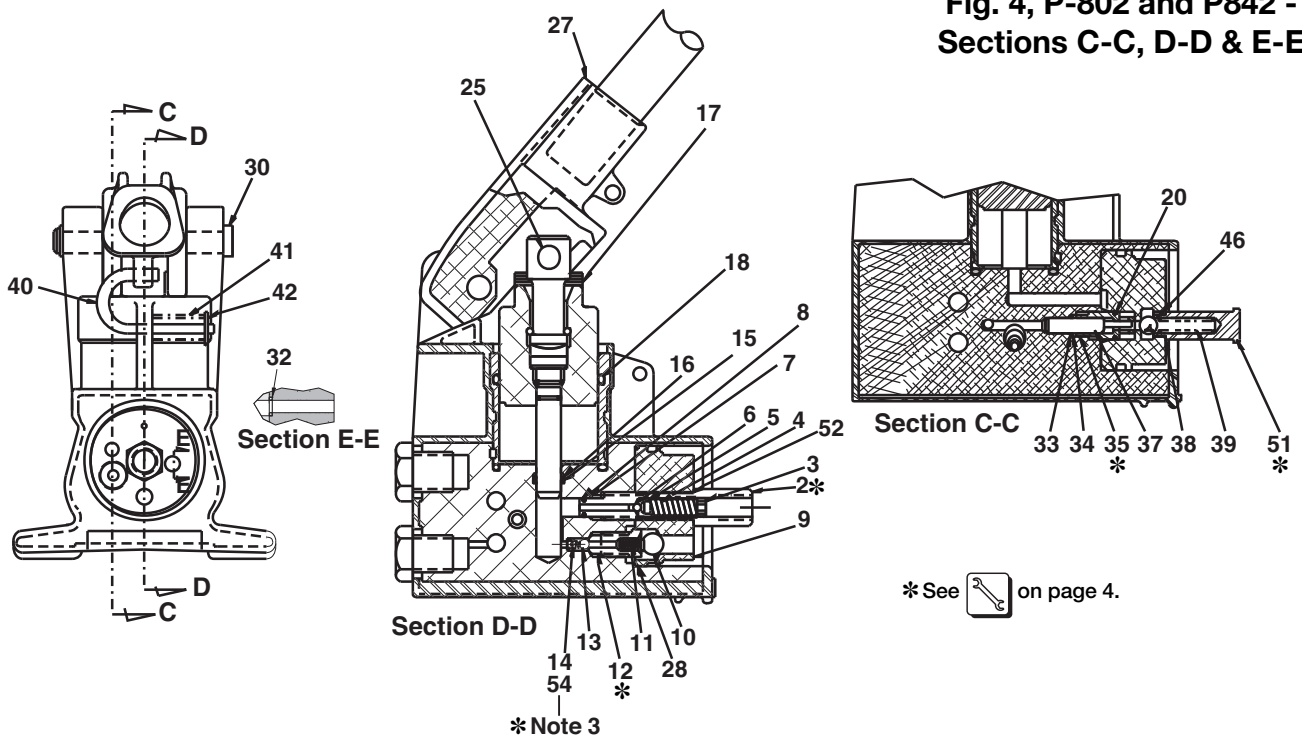
Repair Parts List, Fig. 3

L2124

| Item | Part Number | Qty. | Description | Item | Part Number | Qty. | Description |
|------|-------------|------|---|------|--------------|------|---|
| 53 | ▲ A8161110 | 1 | Compression Spring | 65 | ▲ B1233503 | 1 | O-Ring |
| 54 | ▲ B1007016 | 1 | Ball | 66 | DA11071041SR | 3 | Seal Poppet Assy. (incl. items 65, 67, 68, 69, 70) |
| 55 | DC703104 | 1 | Shaft | 67 | ▲ B1002503 | 3 | O-Ring |
| 56 | ▲ B1005503 | 1 | O-Ring | 68 | ▲ DA7285566 | 6 | Back-Up Washer |
| 58 | C940155 | 1 | Bearing | 69 | ▲ DA7287108 | 3 | Washer |
| 59 | B1040057 | 1 | Spring Pin | 70 | ▲ DA7286110 | 3 | Compression Spring |
| 60 | DC1363900SR | 1 | Plug and Disc Assy. (incl. items 55, 56, 59, 65) | 71 | DA9345070 | 1 | Handle |
| 61 | DA7297815 | 1 | Hub Screw | 72 | DA6951147 | 1 | Knob |
| 62 | B1126057 | 1 | Roll Pin | 73 | B2509028 | 4 | Screw |
| 63 | DA7298101 | 1 | Detent | 74 | BF2504027B | 2 | Set Screw |
| 64 | DA7299098 | 1 | Cover | 75 | ▲ DC1353026 | 1 | Decal |

▲ Indicated items are available only as part of repair kit P842K50.

**Fig. 4, P-802 and P842 -
Sections C-C, D-D & E-E**



Repair Parts List, Fig. 4

L2124

| Item | Part Number | Qty. | Description | Item | Part Number | Qty. | Description |
|------|---------------|------|------------------------|------|---------------|------|-----------------------|
| 2 | DA7557190 | 1 | Valve Body | 25 | DC106061 | 1 | Beam Pin |
| 3 | A8116048 | 1 | Hollow Lock Screw | 27 | CL918900SR | 1 | Beam and Handle Assy. |
| 4 | A8126110 | 1 | Compression Spring | 28 | † ▲ B1239503 | 1 | O-Ring |
| 5 | A8038570 | 1 | Ball Cap | 30 | CR214061SR | 1 | Beam Pin Assembly |
| 6 | ▲ B1003016 | 1 | Ball | 32 | † ▲ B1008903 | 1 | O-Ring |
| 7 | ▲ B1009564 | 1 | Teflon Back-Up Washer | 33 | ▲ B1010903 | 1 | O-Ring |
| 8 | ▲ B1009903 | 1 | O-Ring | 34 | ▲ B1010566 | 1 | Teflon Washer |
| 9 | † DC595071 | 1 | Valve Disc | 35 | DC596290 | 1 | Insert, Seat |
| 10 | † ▲ B1011016 | 1 | Ball | 37 | DA10249051 | 1 | Piston |
| 11 | † ▲ DA4527110 | 1 | Spring | 38 | ◆▲ DA10259167 | 1 | Copper Gasket |
| 12 | * DA7556290 | 1 | Valve Seat, 0.93" Dia. | 39 | ◆ DA10157110 | 1 | Spring |
| 13 | *▲ B1005016 | 1 | Ball | 40 | CM927061 | 1 | Locking Pin |
| 14 | *▲ DC1124210 | 1 | Conical Spring | 41 | Y267110 | 1 | Spring |
| 15 | ▲ B1013903 | 1 | O-Ring | 42 | CM928044 | 1 | Push On Ring |
| 16 | ▲ B1013564 | 1 | Back-Up Washer | 46 | ◆▲ B1009016 | 2 | Ball |
| 17 | DC538900SR | 1 | Plunger | 51 | ◆ DA10246020 | 1 | Spring Cap |
| 18 | ▲ DC1170041 | 1 | Seal | 52 | ▲ DA4535167 | 2 | Gasket |
| 20 | ▲ B1007503 | 1 | O-Ring | 54 | *▲ DD1161013 | 1 | Guide, Spring |

▲ Indicated items are available only as part of repair kit P842K50.

† Indicated items are available only as part of repair kit DA10161071K.

* Indicated items are available only as part of repair kit DA7556290SR.

◆ Indicated items are available only as part of repair kit DA10246020K.



| * Service Information | | | L2124 |
|-----------------------|--------|---|-------|
| Fig. | Item | Torque / notes | |
| 1 | 9 | 21 - 26 Nm 15 - 19 Ft - Lbs. | |
| 1 | 43 | 38 - 46 Nm 28 - 34 Ft - Lbs. | |
| 3 | 61 | Apply Loctite 242 to threads. | |
| 3 | 73 | 2.8 - 3.4 Nm 25 - 30 In - Lbs. | |
| 3 | 73 | Apply Loctite 242 to threads. | |
| 3 | 74 | Apply Loctite 242 to threads. | |
| 3 | Note 1 | Use only one thrust race in this position. | |
| 3 | Note 2 | Pin Extension: 0.060 - 0.080 inch. | |
| 4 | 2 | 34 - 40 Nm 25 - 30 Ft - Lbs. | |
| 4 | 12 | 34 - 47 Nm 25 - 35 Ft - Lbs. | |
| 4 | 35 | 8 - 11 Nm 6 - 8 Ft - Lbs. | |
| 4 | 51 | 8 - 11 Nm 6 - 8 Ft - Lbs. | |
| 4 | Note 3 | <p>Important: Pump must function properly when used in cold ambient temperatures. Install spring guide (item 54), new conical spring (item 14), new ball (item 13), and new valve seat (item 12) to ensure reliable pump operation during cold conditions.</p> <p>Spring guide (item 54) should be installed even on older pumps that were originally not manufactured with this part.</p> | |

| * Pressure Settings | | | L2124 |
|---------------------|------|---|-------|
| Fig. | Item | Setting / notes | |
| 4 | 2 | 690 - 758 Bar 10,000 - 11,000 Psi (safety relief valve) | |



To maintain your warranty:

- Use only Enerpac Oil
- Have your products inspected and repaired by an Enerpac Authorized Service Center



Visit www.enerpac.com for the location of the Enerpac Authorized Service Center nearest you.