





WWW.TKSIMPLEX.COM

TECHNICAL REPAIR PART SHEET  
R1006-R10010 Series Cylinders  
100 Tons

ITEM #	DESCRIPTION	R1006	R10010	QTY.
001	CYLINDER HOUSING	N/A	N/A	1.0000
002	PLUNGER 10"	6110393	6110409	1.0000
003	STOP RING	6110394	6110394	1.0000
004	WIPER RING	*	*	1.0000
005	RETAINING RING	6110396	6110396	1.0000
006	U CUP	*	*	1.0000
007	WASHER	6110398	6110398	1.0000
008	ROD BEARING	6110399	6110399	1.0000
009	PIN	6110400	6110400	1.0000
010	FEMALE COUPLER 3050-3	40858	40858	1.0000
011	DUST CAP	CR215	CR215	1.0000
012	SADDLE	6110401	6110401	1.0000
013	SCREW	6110402	6110402	2.0000
014	SPRING	6110403	6110410	1.0000
015	SPRING	6110404	6110411	1.0000
016	BUSHING ASM (SERVICE M59900W)	6110405	6110405	1.0000
017	BUSHING	6110406	6110406	1.0000
018	GASKET	*	*	1.0000
019	NUT	6110408	6110408	1.0000
020	3/8 FLUSH PLUG W/SEALANT	84084	N/A	2.0000
022	WARNING DECAL	80827	80827	1.0000
023	SIMPLEX LOGO LARGE	88165	89967	1.0000
024	HANDLE STUD	DS1336305	S42371	2.0000
025	CARRYING HANDLE	41192	41192	2.0000
026	RIVET	93903	93903	2.0000
027	3/8 RETAINING NO THRDS	42498	42498	2.0000
SEAL KIT ( * = COMPONENTS )		55241		

NOTE: CYLINDER HOUSING NOT AVAILABLE FOR SERVICE



To maintain your warranty:  
Have your products inspected and repaired by an SIMPLEX Authorized Service Center.  
Visit [www.tksimplex.com](http://www.tksimplex.com) to locate the nearest one.

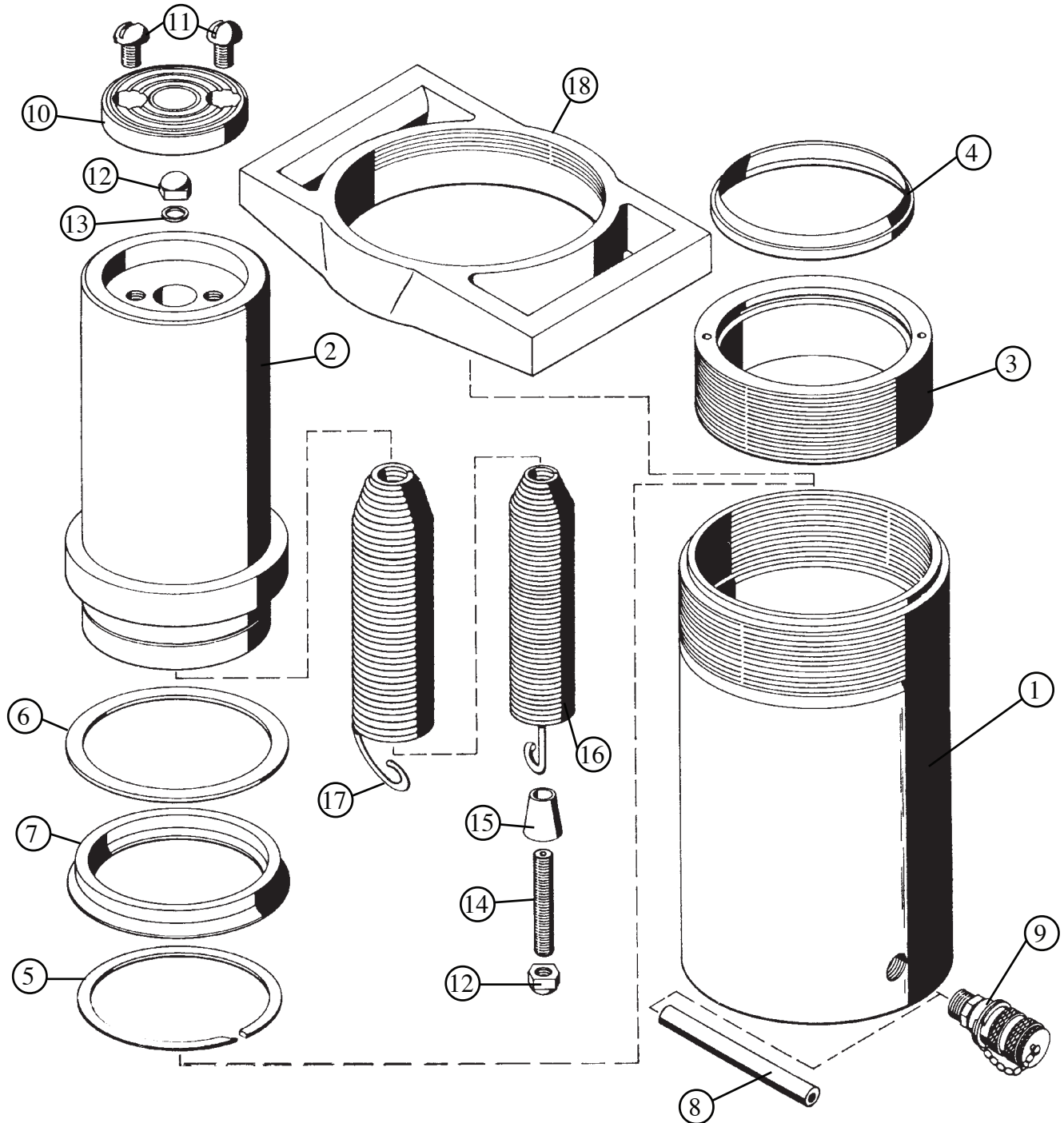


# SIMPLEX®

WWW.TKSIMPLEX.COM

## TECHNICAL REPAIR PART SHEET R1006-R10010 Series Cylinders 100 Tons

PART SHEET NUMBER	REVISION NUMBER/LETTER	DATE CODE RANGE	DOCUMENT DATE
TD116	C	R1006 B0909 and Below R10010 B0909 and Below	11/16



To maintain your warranty:  
Have your products inspected and repaired by an SIMPLEX Authorized Service Center.  
Visit [www.tksimplex.com](http://www.tksimplex.com) to locate the nearest one.





WWW.TKSIMPLEX.COM

TECHNICAL REPAIR PART SHEET  
R1006-R10010 Series Cylinders  
100 Tons

ITEM NO.	DESCRIPTION	QTY	PART NO.	
			R1006	R10010
1	Housing	1	85709	85710
2	Piston	1	85707	85708
3	Retaining Nut	1	85700	85700
4	Wiper Ring	1	*	*
5	Retaining Ring	1	85722	85722
6	Back-up Ring	1	*	*
7	U-Seal	1	*	*
8	Roll Pin	1	41892	41892
9	Ramp Half Coupler	1	18211	18211
10	Load Cap	1	85546	85546
11	Round Head Cap Screw	2	85547	85547
12	Cap Nut	1	85714	85714
13	Gasket	1	*	*
14	Screw	1	85730	85730
15	Bushing	1	85699	85699
16	Spring, Inner	1	85704	85706
17	Spring, Outer	1	85703	85705
18	Carrying Handle	1	18457	18457
	*Packing Kit		54313	54313



To maintain your warranty:  
Have your products inspected and repaired by an SIMPLEX Authorized Service Center.  
Visit [www.tksimplex.com](http://www.tksimplex.com) to locate the nearest one.

