

## Specifications

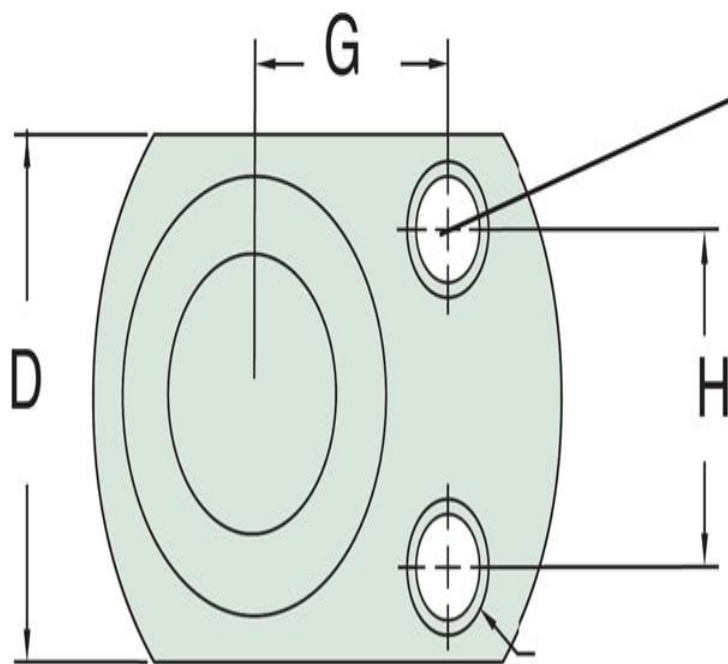
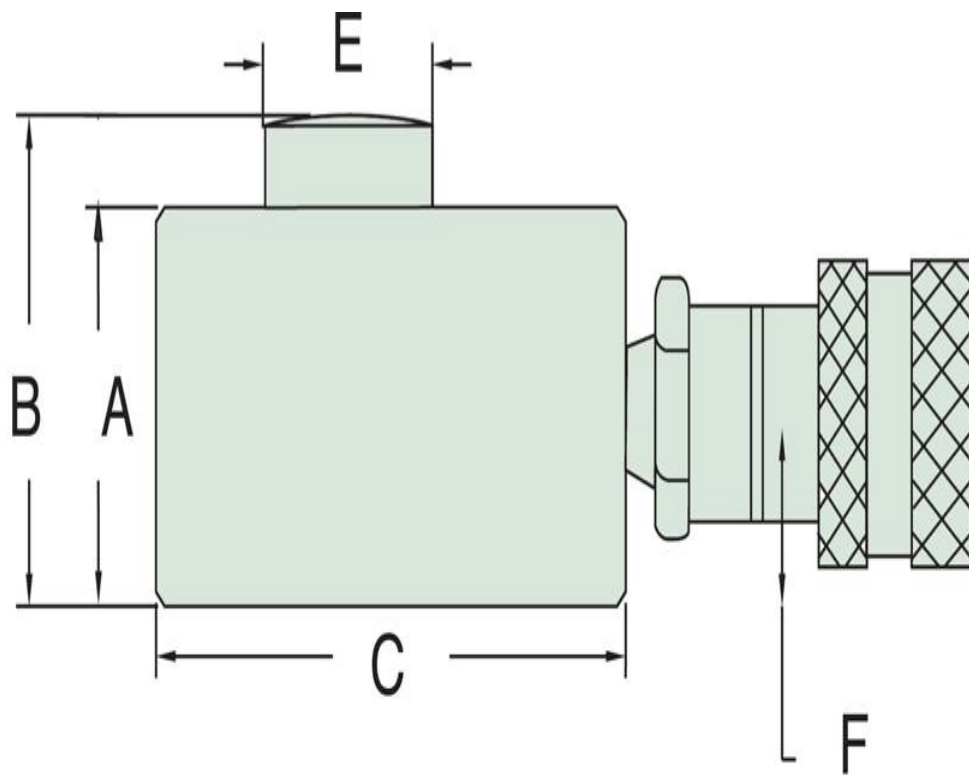
Units:  Imperial  Metric

Maximum Operating Pressure (psi)	10,000
Capacity Class (tonnage)	5
Capacity (imperial tons)	5
Stroke (in)	0.62
Collapsed Height A (in)	1.62
Extended Height B (in)	2.24
Return Type	Single-Acting, Spring Return
Plunger Type	Solid
Material	Steel
Cylinder Effective Area (in <sup>2</sup> )	0.99
Oil Capacity Required (in <sup>3</sup> )	0.6
Ram Bore Diameter (in)	1.13
Pressure at Capacity (psi)	10000
Bolt Circle (in)	1
Thread (in)	.25 - 20 UNC
Thread Depth (in)	0.56
Weight (lbs)	2.5

## Dimensions

Units:  Imperial  Metric

Collapsed Height A (in)	1.62
Extended Height B (in)	2.24
Body Outside Diameter C (in)	2.62
Piston Outside Diameter D (in)	1.00
Base to Port Center Line E (in)	0.75
Base Mounting Hole Dimensions (in)	.22 through x .36 C' Bore (.25 Deep)



Refer to Base  
Mounting Table