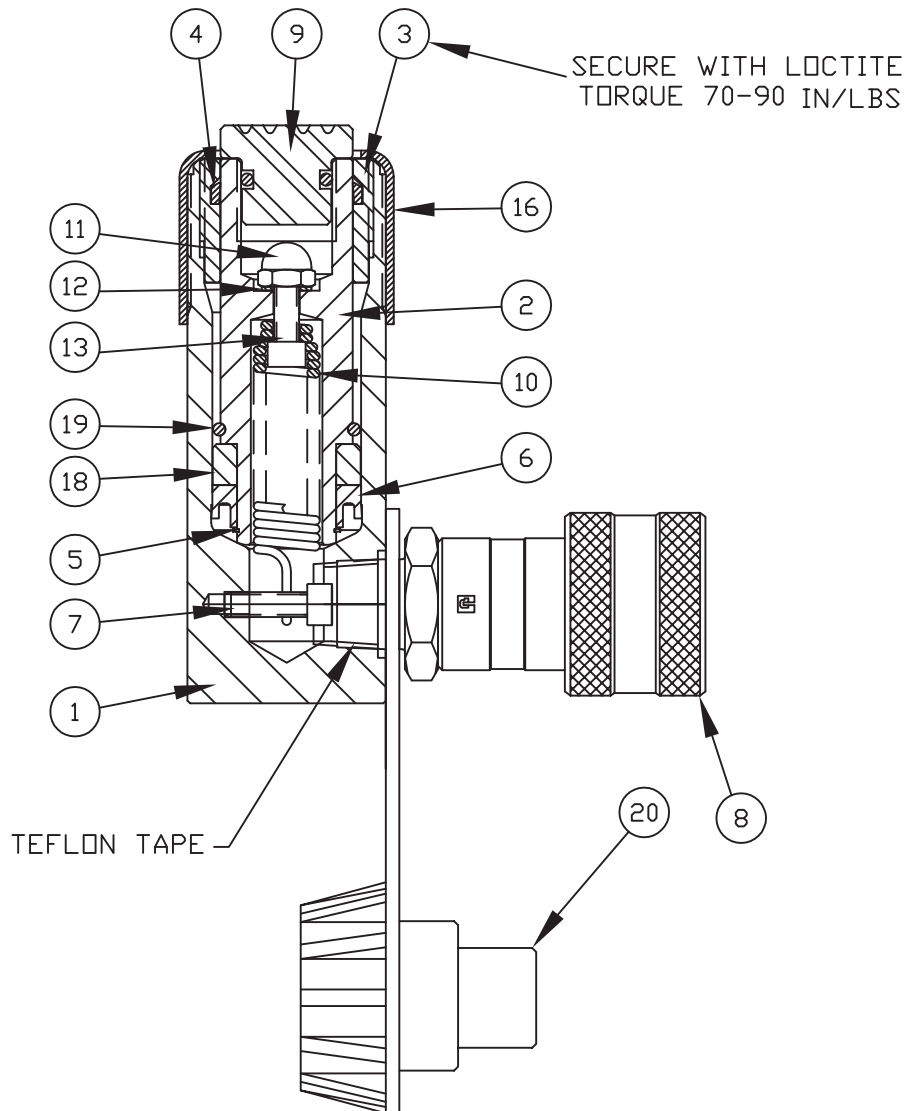


# SIMPLEX®

WWW.TKSIMPLEX.COM

## TECHNICAL REPAIR PART SHEET R51-R53-R55-R57-R59 Series Cylinders 5 Tons

PART SHEET NUMBER	REVISION NUMBER/LETTER	DATE CODE RANGE	DOCUMENT DATE
54611	D	R51 K0846 AND ABOVE R53 K0847 AND ABOVE R55 A0903 AND ABOVE R57 B0907 AND ABOVE R59 H0835 AND ABOVE	03/13



To maintain your warranty:  
Have your products inspected and repaired by an SIMPLEX Authorized Service Center.  
Visit [www.tksimplex.com](http://www.tksimplex.com) to locate the nearest one.





WWW.TKSIMPLEX.COM

TECHNICAL REPAIR PART SHEET  
R51-R53-R55-R57-R59 Series Cylinders  
5 Tons

ITEM #	DESCRIPTION	R51	QTY.	R53	QTY.	R55	QTY.	R57	QTY.	R59	QTY.
1	BASE	6110265	1	6110273	1	6110275	1	6110277	1	6110279	1
2	PISTON	89208	1	89209	1	89210	1	89211	1	89212	1
3	RETAINING NUT	6110266	1	6110266	1	6110266	1	6110266	1	6110266	1
4	WIPER	*	1	*	1	*	1	*	1	*	1
5	RETAINING RING	85715	1	85715	1	85715	1	85715	1	85715	1
6	U-SEAL	*	1	*	1	*	1	*	1	*	1
7	SHCS	6110268	1	6110268	1	6110268	1	6110268	1	6110268	1
8	FEMALE COUPLER	40858	1	40858	1	40858	1	40858	1	40858	1
9	LOAD CAP	18347	1	18347	1	18347	1	18347	1	18347	1
10	SPRING	6110269	1	6110274	1	6110276	1	6110278	1	6110280	1
11	ACORN NUT	6110270	1	6110270	1	6110270	1	6110270	1	6110270	1
12	GASKET	*	1	*	1	*	1	*	1	*	1
13	SCREW SPRING	6110272	1	6110272	1	6110272	1	6110272	1	6110272	1
14	SIMPLEX LOGO	88187	1	88187	1	88186	1	88165	1	88165	1
15	WARNING DECAL	87753	1	87753	1	87753	1	87753	1	87753	1
16	THREAD PROTECTOR	6110242	1	6110242	1	6110242	1	6110242	1	6110242	1
18	BEARING RING	88971	1	88971	1	88971	1	88972	1	88972	1
19	ROUND RETAINING RING	88967	1	88967	1	88967	1	88967	1	88967	1
20	DUST CAP	CR215	1	CR215	1	CR215	1	CR215	1	CR215	1
	PACKING KIT (* = COMPONENTS)	54548		54548		54548		54548		54548	



To maintain your warranty:  
Have your products inspected and repaired by an SIMPLEX Authorized Service Center.  
Visit [www.tksimplex.com](http://www.tksimplex.com) to locate the nearest one.

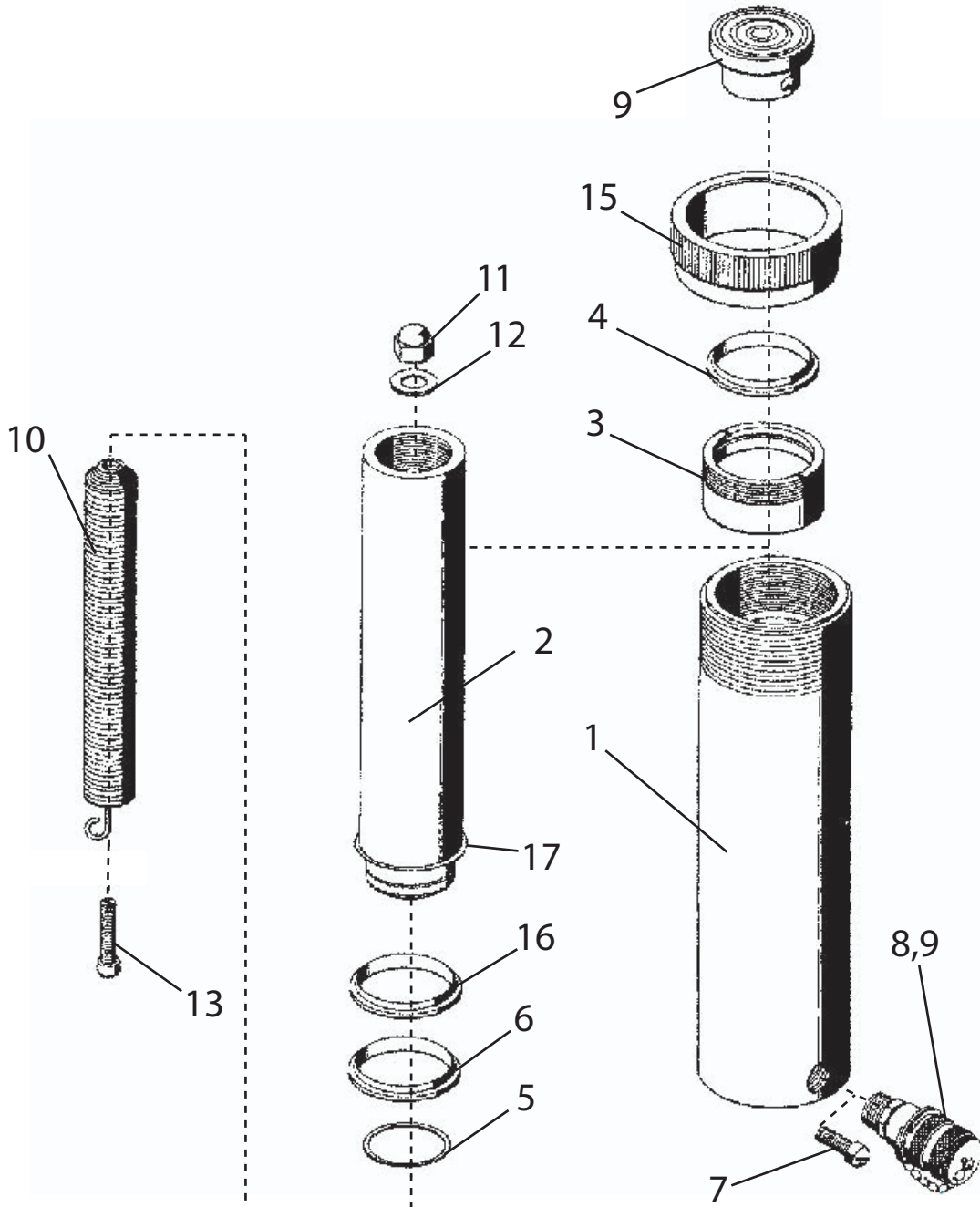


# SIMPLEX®

WWW.TKSIMPLEX.COM

## TECHNICAL REPAIR PART SHEET R51-R53-R55-R57-R59 Series Cylinders 5 Tons

PART SHEET NUMBER	REVISION NUMBER/LETTER	DATE CODE RANGE	DOCUMENT DATE
54611	B	R51 K0845 AND BELOW R53 K0846 AND BELOW R55 A0902 AND BELOW R57 B0906 AND BELOW R59 H0834 AND BELOW	08/04



To maintain your warranty:  
Have your products inspected and repaired by an SIMPLEX Authorized Service Center.  
Visit [www.tksimplex.com](http://www.tksimplex.com) to locate the nearest one.





WWW.TKSIMPLEX.COM

TECHNICAL REPAIR PART SHEET  
 R51-R53-R55-R57-R59 Series Cylinders  
 5 Tons

ITEM	DESCRIPTION	PART #					QTY
		13172 R51	13173 R53	13174 R55	13175 R57	13176 R59	
01	HOUSING	85953	85954	85955	86182	86219	1.00
02	PISTON	89208	89209	89210	89211	89212	1.00
03	RETAINING NUT	89224	89224	89224	89224	89224	1.00
04	WIPER RING	*	*	*	*	*	1.00
05	RETAINING RING	85715	85715	85715	85715	85715	1.00
06	U-CUP	*	*	*	*	*	1.00
07	SCREW	86699	86699	86699	86699	86699	1.00
08	FEMALE COUPLER	40858	40858	40858	40858	40858	1.00
08	DUST CAP	CR215	CR215	CR215	CR215	CR215	1.00
09	LOAD CAP	18347	18347	18347	18347	18347	1.00
10	SPRING	86166	86167	86168	86270	86271	1.00
11	ACORN NUT	85711	85711	85711	85711	85711	1.00
12	GASKET	*	*	*	*	*	1.00
13	SCREW	85965	85965	85965	85965	85965	1.00
14	ITEM NUMBER NOT USED						
15	THREAD PROTECTOR	85969	85969	85969	85969	85969	1.00
16	BEARING RING	88971	88971	88971	88971	88971	1.00
17	ROUND RETAINING RING	88967	88967	88967	88967	88967	1.00
	SIMPLEX LOGO	88165	88165	88165	88165	88165	1.00
	WARNING LABEL	87753	87753	87753	87753	87753	1.00
	PACKING KIT (*=contents)	54346	54346	54346	54346	54346	1.00

ENGINEERING DATA

R51...CAPACITY 5 TONS @ 10,060 ON .0994 SQ. IN. RAM AREA, STROKE 1"  
 R53...CAPACITY 5 TONS @ 10,060 ON .0994 SQ. IN. RAM AREA, STROKE 3"  
 R55...CAPACITY 5 TONS @ 10,060 ON .0994 SQ. IN. RAM AREA, STROKE 5"  
 R57...CAPACITY 5 TONS @ 10,060 ON .0994 SQ. IN. RAM AREA, STROKE 7"  
 R59...CAPACITY 5 TONS @ 10,060 ON .0994 SQ. IN. RAM AREA, STROKE 9"



To maintain your warranty:  
 Have your products inspected and repaired by an SIMPLEX Authorized Service Center.  
 Visit [www.tksimplex.com](http://www.tksimplex.com) to locate the nearest one.

