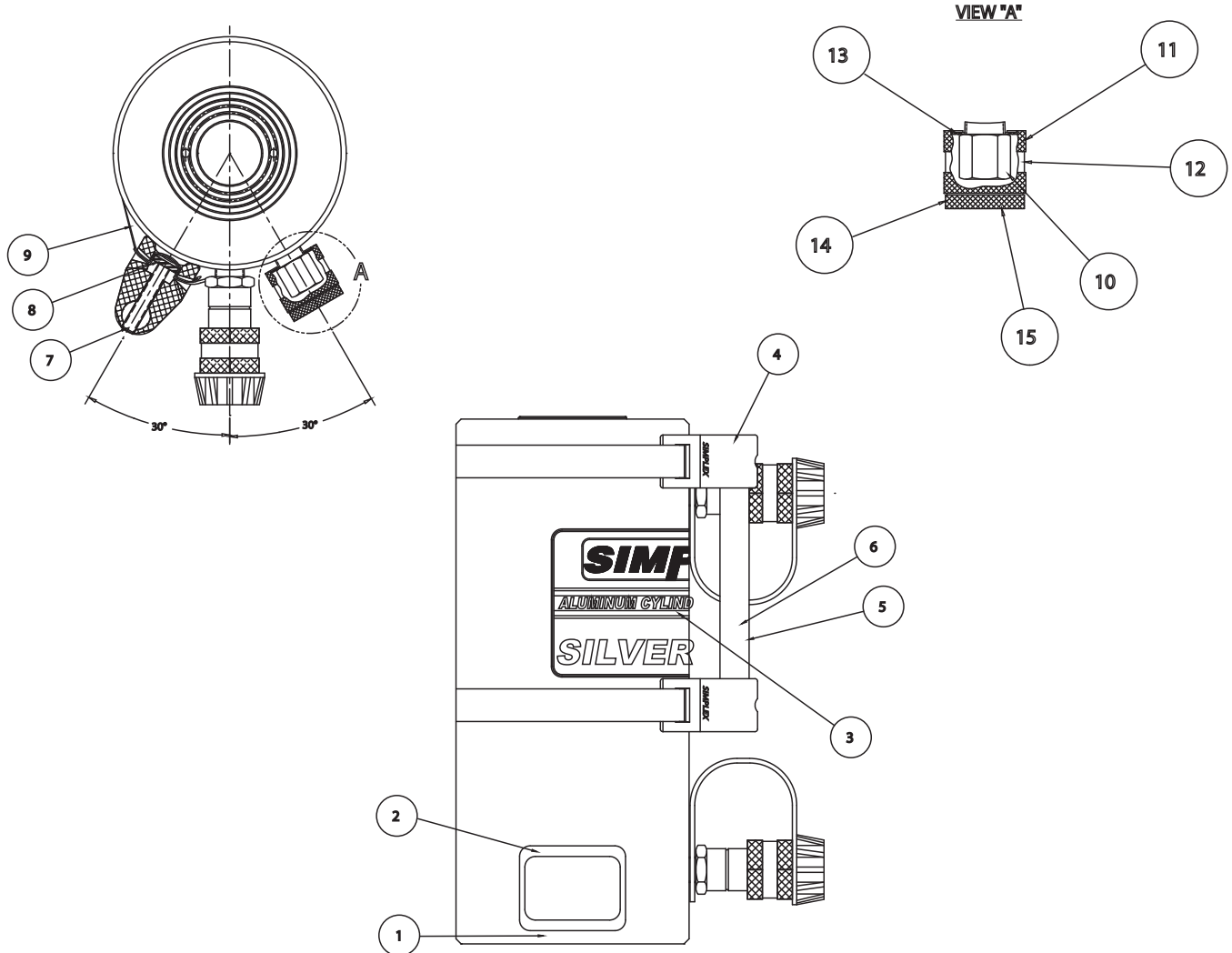




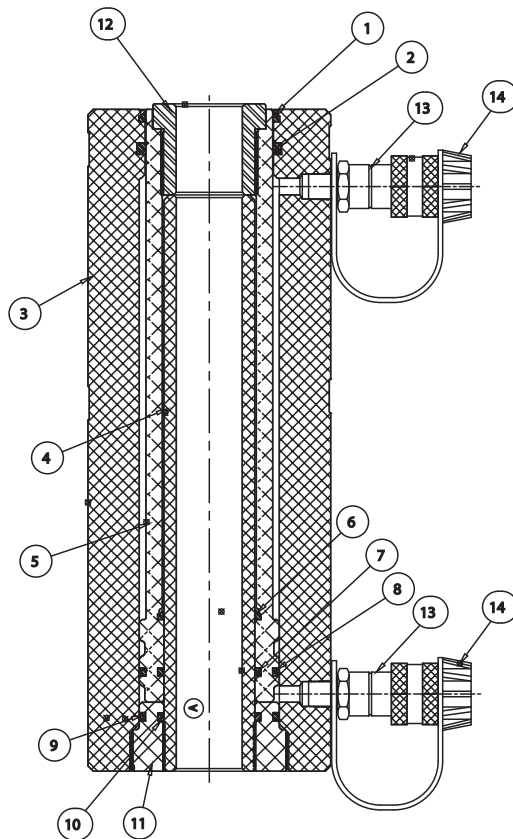
WWW.TKSIMPLEX.COM

TECHNICAL REPAIR PART SHEET  
**RACD50 50 Ton Center Hole**  
**RACD50 Series**

PART SHEET NUMBER	REVISION NUMBER	DATE CODE RANGE	DOCUMENT DATE
54253	B	N/A	03/13



Item #	Description	Qty.	RACD502 Part #'s	Qty.	RACD504 Part #'s	Qty.	RACD506 Part #'s	Qty.	RACD5010 Part #'s
1	Aluminum Cylinder	1	45214	1	45215	1	45216	1	45217
2	Warning Decal	1	80827	1	80827	1	80827	1	80827
3	Aluminum Cylinder Decal	1	45280	1	45280	1	45279	1	45279
4	Cylinder Handle Base	1	45193	1	45193	2	45193	2	45193
5	Aluminum Handle	1	45281	1	45281	1	45264	1	45264
6	Handlegrip Closed End	1	45303	1	45303	1	45304	1	45304
7	Set Screw	1	45275	1	45275	2	45275	2	45275
8	Plate Cylinder Handle	1	45274	1	45274	2	45274	2	45274
9	Stainless Steel Strap	1	45273	1	45273	2	45273	2	45273
10	Relief Valve	1	84027	1	84027	1	84027	1	84027
11	Sleeve	1	88823	1	88823	1	88823	1	88823
12	Decal-Ext. Rel. Valve Sleeve	1	88825	1	88825	1	88825	1	88825
13	Washer	1	88824	1	88824	1	88824	1	88824
14	Dust Plug	1	88822	1	88822	1	88822	1	88822
15	Decal-Ext. Rel. Dust Cap	1	88826	1	88826	1	88826	1	88826



Item #	Description	Qty.	RACD502 Part #'s	Qty.	RACD504 Part #'s	Qty.	RACD506 Part #'s	Qty.	RACD5010 Part #'s
1	Rod Wiper	1	*	1	*	1	*	1	*
2	Rod Seal	1	*	1	*	1	*	1	*
3	Housing	1	N/A	1	N/A	1	N/A	1	N/A
4	Center Sleeve	1	6050027	1	6050079	1	6050082	1	6050085
5	Piston	1	6050028	1	6050080	1	6050083	1	6050086
6	Piston Wiper	1	*	1	*	1	*	1	*
7	Piston Polypack	1	*	1	*	1	*	1	*
8	Piston T-seal	1	*	1	*	1	*	1	*
9	Polypack	1	*	1	*	1	*	1	*
10	Polypack	1	*	1	*	1	*	1	*
11	Threaded Bottom	1	6050034	1	6050034	1	6050034	1	6050034
12	Saddle	1	6050035	1	6050035	1	6050035	1	6050035
13	Coupler	2	40858	2	40858	2	40858	2	40858
14	Dust Cap	2	CR215	2	CR215	2	CR215	2	CR215
	Packing Kit=*	1	54294	1	54294	1	54294	1	54294



**To maintain your warranty:**  
**Have your products inspected and repaired by an SIMPLEX Authorized Service Center. Visit**  
**[www.tksimplex.com](http://www.tksimplex.com) to locate the nearest one.**