

Specifications

Units:

Imperial

Metric

Maximum Operating Pressure (psi)	10,150
Capacity Class (tonnage)	30
Maximum Cylinder Capacity Advance (tons)	40.3
Maximum Cylinder Capacity Retract (tons)	21
Stroke (in)	5.91
Collapsed Height A (in)	12.16
Extended Height B (in)	18.07
Return Type	Double-Acting, Hydraulic Return
Plunger Type	Hollow
Material	Aluminum
Cylinder Effective Area Advance (in ²)	7.94
Cylinder Effective Area Retract (in ²)	4.14
Oil Capacity Advance (in ³)	46.89
Oil Capacity Retract (in ³)	24.43
Surface Treatment	Anodized
Coupler	CR400 Coupler
Weight (lbs)	26.2

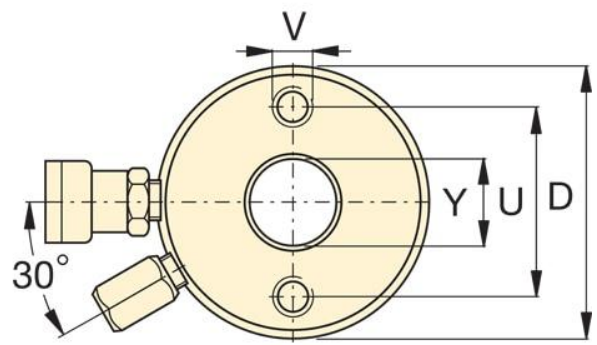
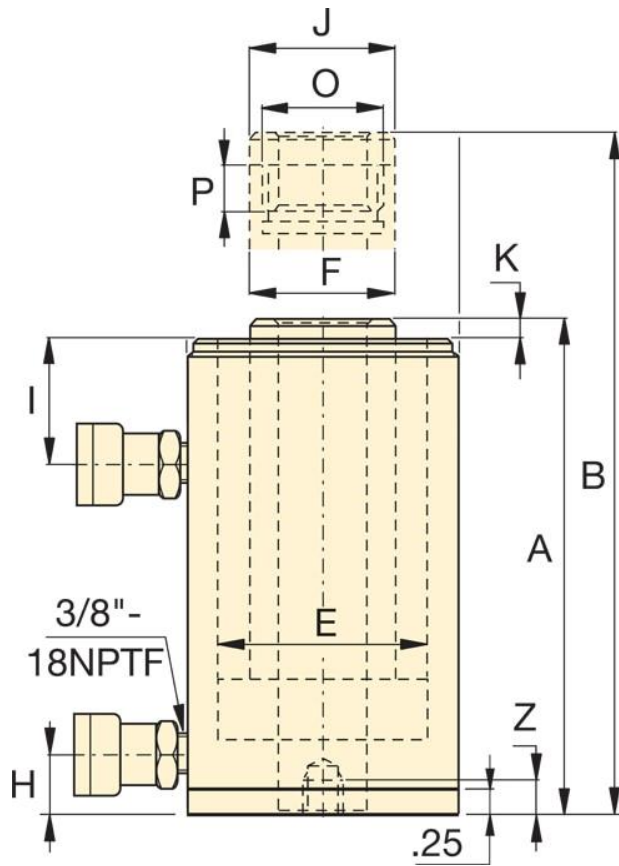
Dimensions

Units:

Imperial

Metric

Collapsed Height A (in)	12.16
Extended Height B (in)	18.07
Outside Diameter D (in)	5.31
Cylinder Bore Diameter E (in)	3.74
Plunger Diameter F (in)	2.95
Base to Advance Port H (in)	0.86
Saddle Diameter J1 (in)	2.49
Saddle Protrusion from Plunger K (in)	0.38
Plunger Internal Thread O (in)	1 13/16"-16 UN
Plunger Thread Length P (in)	0.91
Base Mounting Holes Bolt Circle U (in)	4.33
Base Mounting Holes Thread V	M6
Center Hole Diameter Y (in)	1.34
Base Mounting Holes Thread Depth Z (in)	0.47



Dimensions shown in inches.