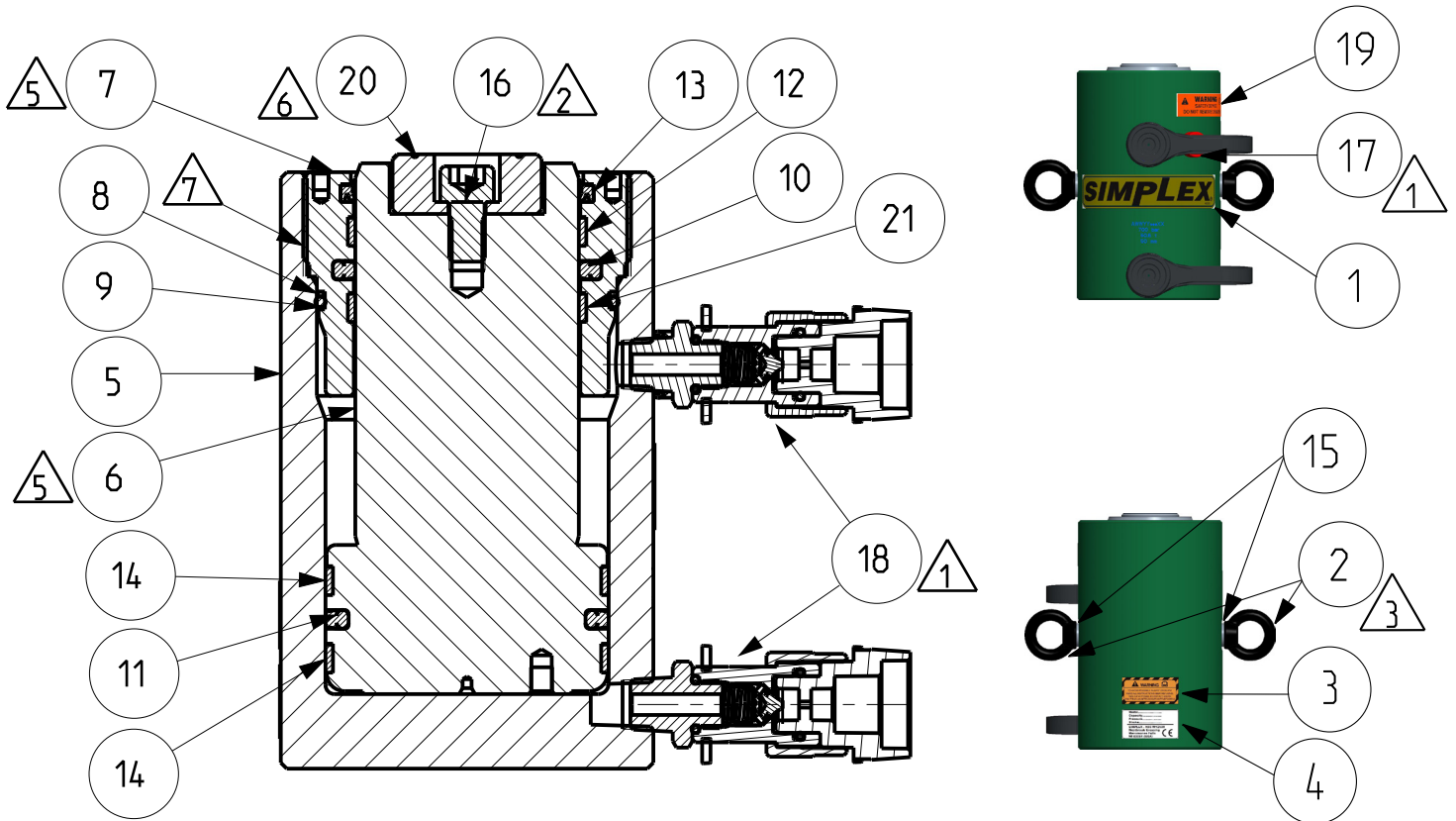




# Repair Parts Sheet

RCR CYLINDERS, 100 TON MODELS

Parts Sheet Number	Revision	Revision Date	Product version
RRCR100	Rev. B	07/2020	A



**NOTES ▲:**

- 1- Torque to 40-60 Ft-Lbs [55-81 Nm]
- 2- Torque to 15-25 Ft-Lbs [20-34 Nm]
- 3- Torque to 80-100 In-Lbs [9-11 Nm]
- 5- Apply oil wax before assembly
- 6- Apply oil wax after assembly
- 7- Apply molykote grease CU7439PLUS

▲ = Indicated parts only available in Seal Kit RCR1002-6K

● = Indicated parts only available in Seal Kit RCR10012K

Nr.	DESCRIPTION	QTY	RCR1002	RCR1006	RCR10012
1	Simplex Decal	1	▲	▲	●
2	Eyebolt Rotating	2	24D0210	24D0210	24D0210
3	Warning Decal	1	▲	▲	●
4	Characteristics Decal	1	▲	▲	●
5	Base	1	52F1014	52F1012	52F1001
6	Plunger	1	53F1153	53F1151	53F1140
7	Stop Ring	1	55F0658	55F0658	55F0650
8	Backup Ring	1	▲	▲	●
9	O-Ring	1	▲	▲	●
10	Seal-Rod	1	▲	▲	●
11	Piston Seal	1	▲	▲	●

Nr.	DESCRIPTION	QTY	RCR1002	RCR1006	RCR10012
12	Glide Ring-Rod	1	▲	▲	●
13	Scraper	1	▲	▲	●
14	Glide Ring-Piston	1	▲	▲	●
15	Washer-Flat	2	CAE1100108-1A	CAE1100108-1A	CAE1100108-1A
16	Screw-SHCS. HEX	1	CBE1221028-1A	CBE1221028-1A	CBE1221028-1A
17	Relief Valve	1	CJ160900	CJ160900	CJ160900
18	Female coupler	2	DB2771034	DB2771034	DB2771034
19	Warning Decal	1	▲	▲	●
20	Saddle	1	HCL100045	HCL100045	HCL100045
21	Glide Ring-Rod	1	▲	▲	●