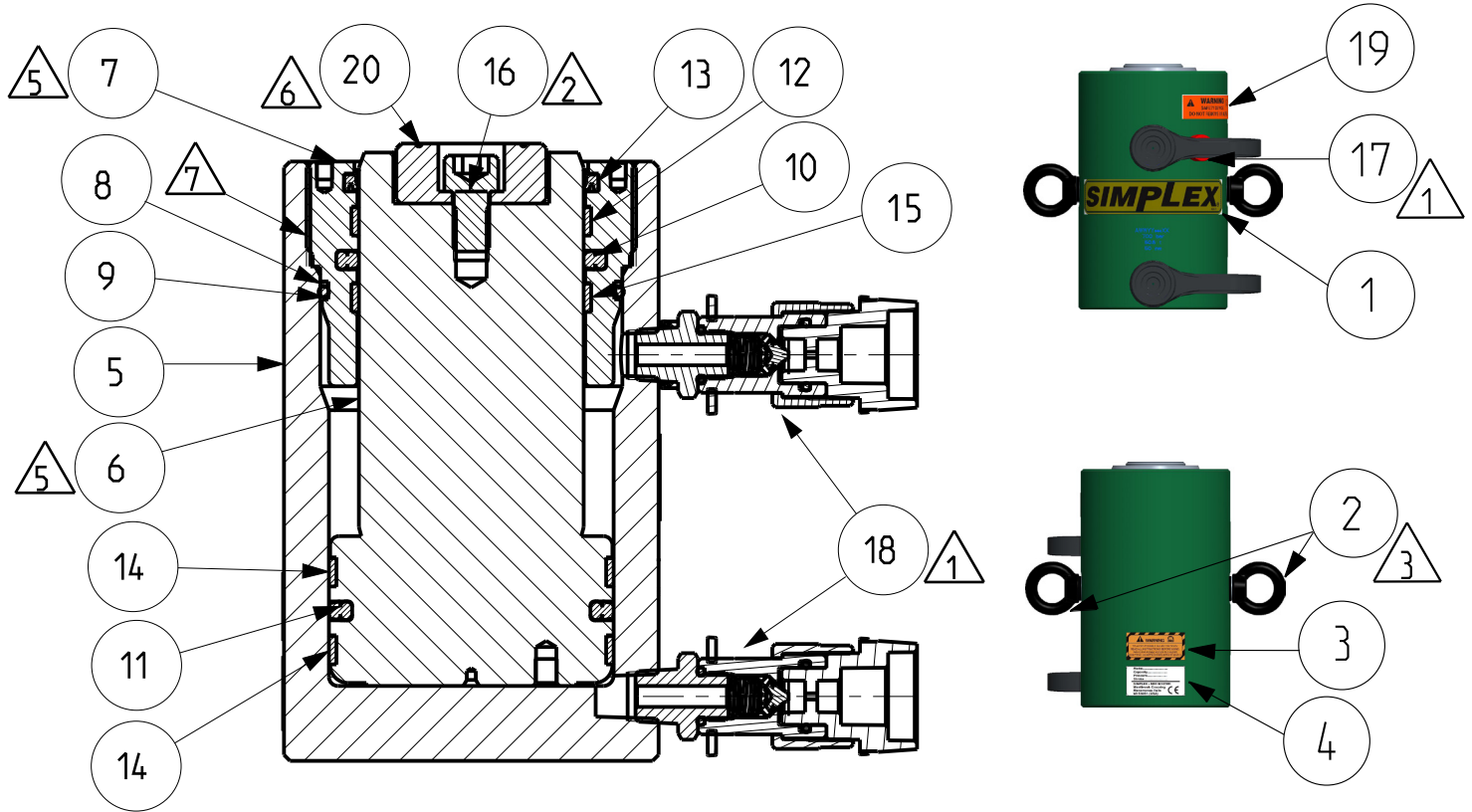




Repair Parts Sheet

RCR CYLINDERS, 150 TON MODELS

Parts Sheet Number	Revision	Revision Date	Product version
RRCR150	Rev. B	07/2020	A



NOTES ▲:

- 1- Torque to 40-60 Ft-Lbs [55-81 Nm]
- 2- Torque to 15-25 Ft-Lbs [20-34 Nm]
- 3- Torque to 80-100 In-Lbs [9-11 Nm]
- 5- Apply oil wax before assembly
- 6- Apply oil wax after assembly
- 7- Apply molykote grease CU7439PLUS

- ▲ = Indicated parts only available in Seal Kit RCR1502-6K
- = Indicated parts only available in Seal Kit RCR15012K

Nr.	DESCRIPTION	QTY	RCR1502	RCR1506	RCR15012
1	Simplex Decal	1	▲	▲	●
2	Eyebolt Rotating	2	24D0210	24D0210	24D0210
3	Warning Decal	1	▲	▲	●
4	Characteristics Decal	1	▲	▲	●
5	Base	1	52F1011	52F1010	52F1003
6	Plunger	1	53F1150	53F1149	53F1142
7	Stop Ring	1	55F0657	55F0656	55F0652
8	Backup Ring	1	▲	▲	●
9	O-Ring	1	▲	▲	●
10	Seal-Rod	1	▲	▲	●

Nr.	DESCRIPTION	QTY	RCR1502	RCR1506	RCR15012
11	Piston Seal	1	▲	▲	●
12	Glide Ring-Rod	1	▲	▲	●
13	Scraper	1	▲	▲	●
14	Glide Ring-Piston	1	▲	▲	●
15	Glide Ring-Piston	1	▲	▲	●
16	Screw-SHCS. HEX	1	CBE1221028-1A	CBE1221028-1A	CBE1221028-1A
17	Relief Valve	1	CJ160900	CJ160900	CJ160900
18	Female coupler	2	DB2771034	DB2771034	DB2771034
19	Warning Decal	1	▲	▲	●
20	Saddle	1	HCR150045	HCR150045	HCR150045