

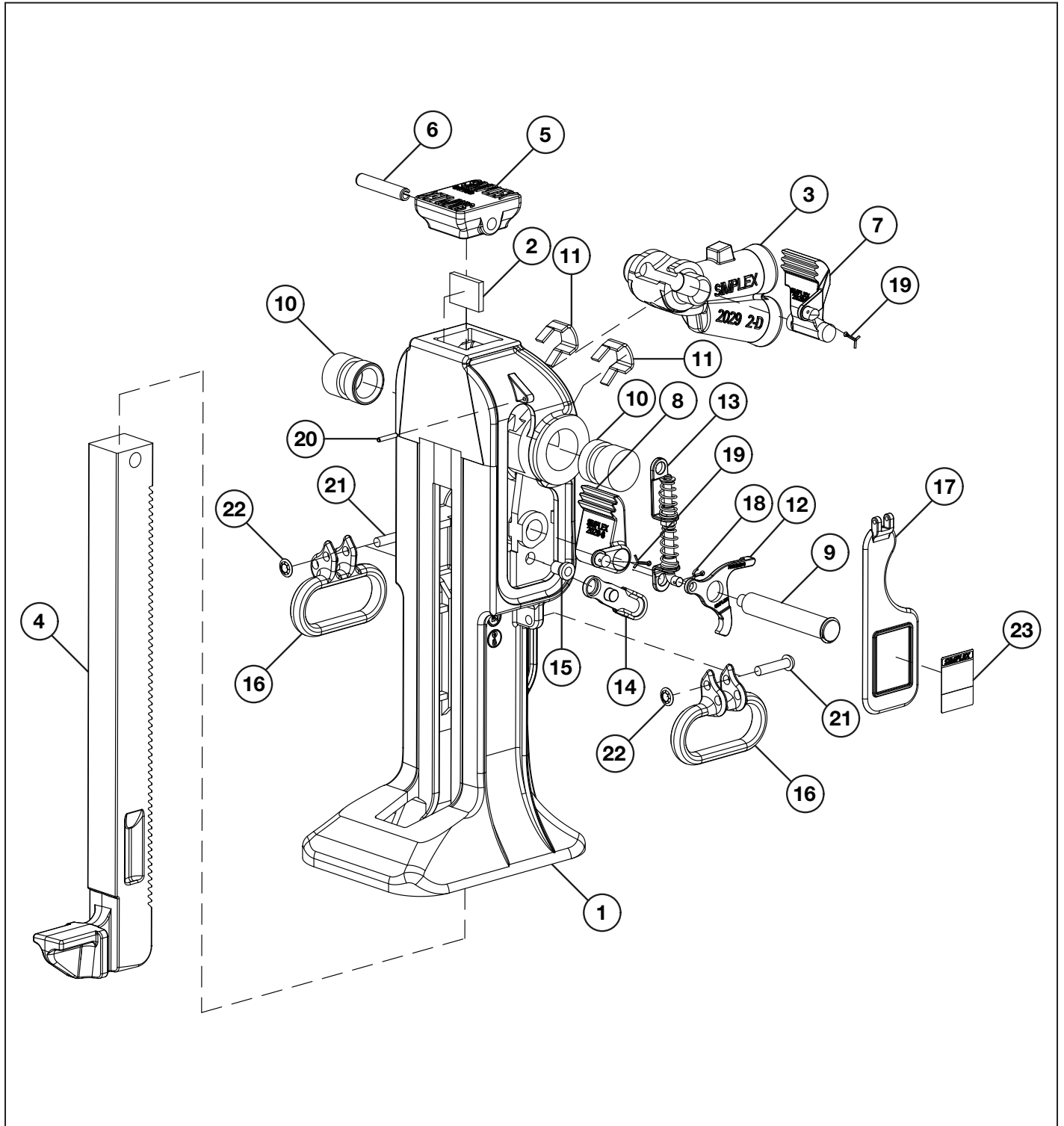


Repair Parts Sheet

Ratchet Jack
RJ24A and RJ2029

TD086 Rev. D 03/2019

Simplex recommends that all kit components be installed to insure optimum performance of the repaired product.



Repair Parts List				
Item No.	Part Number		Qty.	Description
	RJ24A	RJ2029		
1	N/A	N/A	1	Housing - Not Serviceable
2	★	★	1	Wearing Plate
3	91052	91052	1	Lever Socket (Dbl. Rounded)
4	90256	91053	1	Rack Bar
5	●	●	1	Cap
6	● *	● *	1	Cap Pin
7	91055	91055	1	Lifting Pawl
8	91056	91056	1	Retaining Pawl
9	*	*	1	Retaining Pawl Pin Assembly
10	★	★	2	Trunnion Bearing
11	★ *	★ *	2	Trunnion Bearing Key
12	91060	91060	1	Spring Link Lever
13	★	★	1	Spring Link Complete
14	90276	90276	1	Reversing Lever
15	*	*	1	Reversing Lever Rivet
16	41192	41192	2	Handle
17	91062	91062	1	Side Plate
18	★ *	★ *	1	Cotter Pin
19	*	*	2	Cotter Pin
20	*	*	1	Side Plate Cotter Pin
21	*	*	2	Handle Rivet
22	*	*	2	Retainer
23	★	★	1	Capacity and Instruction Label

* - Indicates parts included in RK24A01(RJ24A) and RK202901(RJ2029) Hardware Kit Components.
★ - Indicates parts included in 40563 Repair Kit.
● - Indicates parts included in RK24A202902 Cap Kit Components.
N/A - Not Available.



N86 W12500 Westbrook Crossing
Menomonee Falls, WI 53051
Phone - USA Only: 1 (800) 323-9114
Phone - Inside/Outside USA: 1 (262) 293-1575
Fax: 1 (262) 597-1127
www.tksimplex.com