

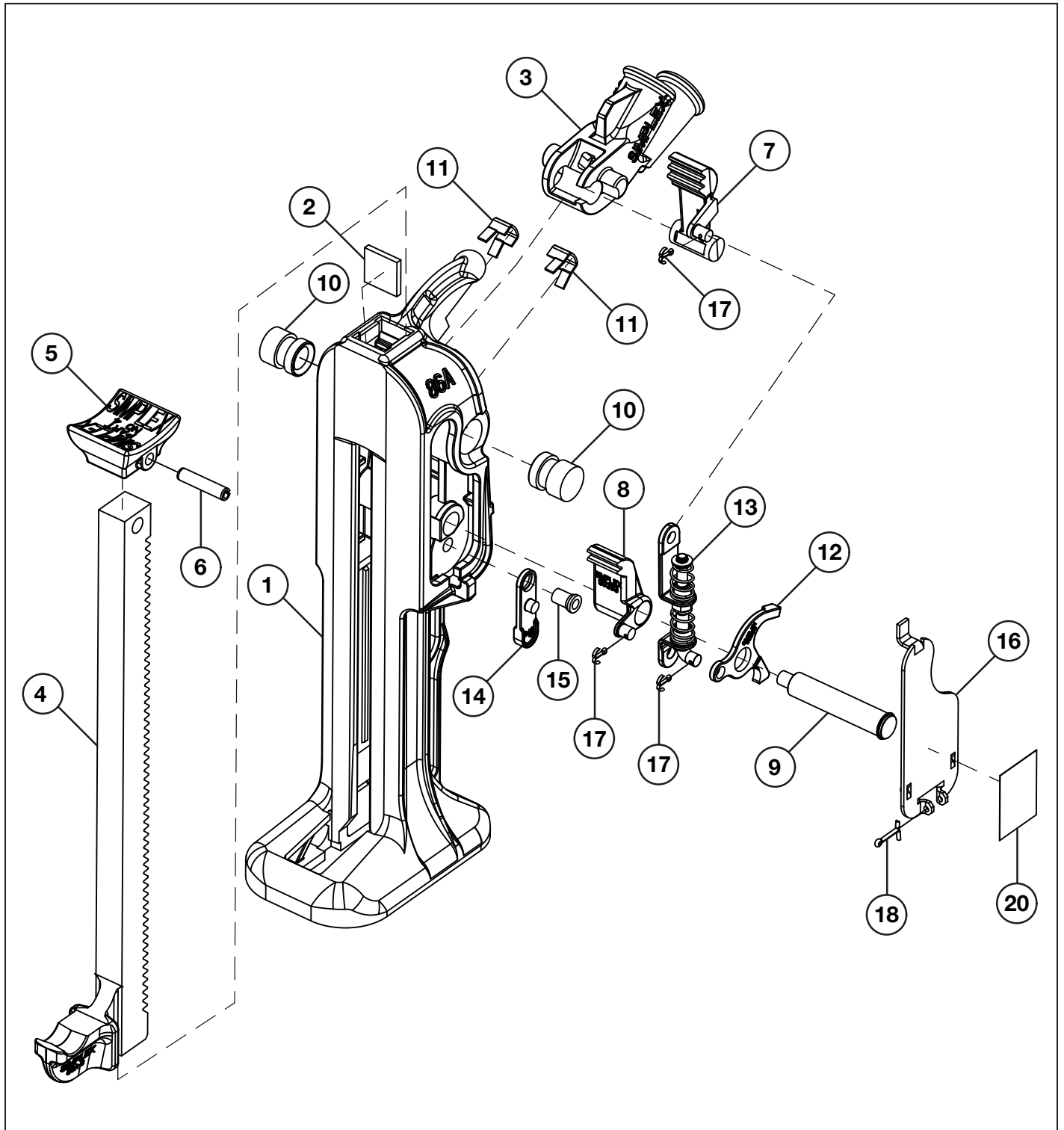


Repair Parts Sheet

Ratchet Jack
RJ84A, RJ85A, and RJ86A

54048 Rev. E 03/2019

Simplex recommends that all kit components be installed to insure optimum performance of the repaired product.



Repair Parts List					
Item No.	Part Number			Qty.	Description
	RJ84A	RJ85A	RJ86A		
1	N/A	N/A	N/A	1	Housing - Not Serviceable
2	★	★	★	1	Wearing Plate
3	90331	90331	90331	1	Double Lever Socket
4	90323	90332	90344	1	Rack Bar
5	●	●	●	1	Cap
6	●*	●*	●*	1	Cap Pin
7	90962	90962	90962	1	Lifting Pawl
8	90333	90333	90333	1	Retaining Pawl
9	*	*	*	1	Retaining Pawl Pin Assembly
10	★	★	★	2	Trunnion Bearing
11	★*	★*	★*	2	Trunnion Bearing Key
12	90964	90964	90964	1	Spring Link Lever
13	★	★	★	1	Spring Link Complete
14	90439	90439	90439	1	Reversing Lever
15	*	*	*	1	Reversing Lever Rivet
16	90965	90965	90965	1	Side Plate
17	★*	★*	★*	3	Cotter Pin
18	*	*	*	1	Side Plate Cotter Pin
20	★	★	★	1	Capacity and Instruction Label

* - Indicates parts included in RK848586A01 Hardware Kit Components.
★ - Indicates parts included in 40560 Repair Kit.
● - Indicates parts included in RK848586A02 Cap Kit Components.
N/A - Not Available.



N86 W12500 Westbrook Crossing
Menomonee Falls, WI 53051
Phone - USA Only: 1 (800) 323-9114
Phone - Inside/Outside USA: 1 (262) 293-1575
Fax: 1 (262) 597-1127
www.tksimplex.com