

L537  
Rev. B  
03-97  
PC4250

For date codes beginning with "B".

**⚠ WARNING**

**STOP RINGS ON RCH MODELS ARE SPRING LOADED!**

**IF NOT CONTAINED DURING DISASSEMBLY, SPRING AND STOP RING COULD CAUSE PERSONAL INJURY.**

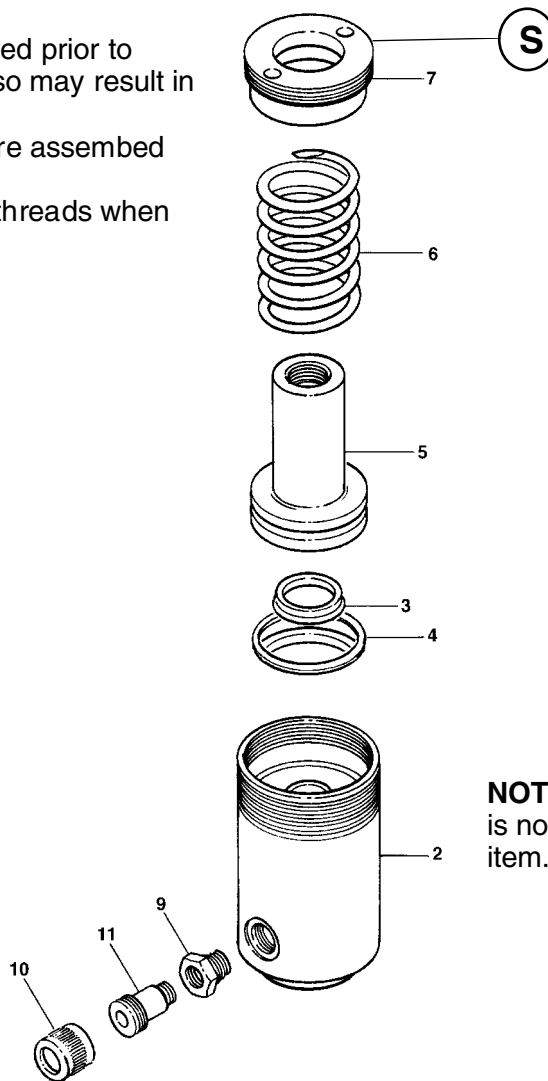
**(S) CAUTION**

Indicates staked threads.

Stake mark must be removed prior to disassembly. Failure to do so may result in damage to parts.

Some cylinder stop rings are assembled with Loctite on threads.

Enerpac suggests staking threads when reassembling.



**NOTE:** Cylinder Base, item 2, is not available as a service item. Order complete cylinder.

## REPAIR PARTS LIST

Item Number	Model RCH-121	Model RWH-121	Quantity	Description
2	<i>Not a service item. Order complete cylinder.</i>			Base
3	★	★	1	"U" Cup
4	★	★	1	"U" Cup
5	Y812040	CH971040	1	Plunger
6	Y397110	Y397110	1	Spring
7	B47035	B47035	1	Stop Ring
8	DC1243271	DC1243271	1	Thread Protector (not shown)
9	FZ1630	----	1	Bushing
10	AR630	----	1	Half Coupler
	Z640	----	1	Dust Cap (not shown)
<p>★Indicates items included in, and available only as part of Repair Kit RCH121K1. For viton seals, order RCH-121KV in place of the standard Repair Kit RCH121K1. Viton kit will not work in "O" version cylinders.</p>				

**Australia**  
ENERPAC  
Applied Power Australia, Ltd.  
P.O. Box 261 Regents Park  
Sydney, N.S.W. 2143  
Tel: (61) (2) 9743 8988  
Fax: (61) (2) 9743 8648

**CIS**  
Applied Power Moscow  
Leninsky Prospekt 95A  
117313 Moscow, Russia  
Tel: (7)(95) 936 5090  
Fax: (7)(95) 936 2006

**France, Switzerland,  
Turkey, Greece, Africa,  
Middle East**  
ENERPAC S.A.  
Parc d'Activité du Moulin  
de Massy  
1 rue du Saule trapu, BP200  
F-91882 Massy CEDEX  
(Paris) France  
Tel: (33) 1 60 13 68 68  
Fax: (33) 1 69 20 37 50

**Germany, Scandinavia,  
Eastern Europe, Austria,  
Switzerland**  
ENERPAC  
Applied Power GmbH  
P.O. Box 30 01 13  
Mündelheimer Weg 51  
40401 Düsseldorf 30  
Germany  
Tel: (49) (211) 47 14 90  
Fax: (49) (211) 4714 928/940

**Holland, Belgium,  
and Luxemburg**  
ENERPAC B.V.  
P.O. Box 269, Storkstraat 25  
3900AG Veenendaal  
Holland  
Tel: (31) (318) 535911  
Fax: (31) (318) 525613/526645

**Hong Kong**  
ENERPAC  
Room No. 907, Workingberg  
Commercial Building  
41-47 Marble Road, North Point  
Tel: (852) 561-6295  
Fax: (852) 561-6772

**India**  
ENERPAC  
Hydraulics (India) Pvt Ltd.  
203 Vardhaman Chamber  
Plot #84, Sector 17  
Vashi, New Bombay 400 705  
India  
Tel: 91-22-7631062  
Fax: 91-22-7670309

**Italy**  
ENERPAC  
Applied Power Italiana S.p.A.  
Via Canova, 4  
20094 Corsico (Milano)  
Italy  
Tel: 39 2 45 82 741/2/3  
Fax: 39 2 48 60 12 88

**Japan**  
Applied Power Japan LTD  
10-17 Sasame Kita-cho  
Toda-City  
Saitama 335,  
Japan  
Tel: 81 048 422 2251  
Telex: J26275  
Fax: 81 048 422 0596

**Mexico**  
ENERPAC  
Applied Power Mexico S.A. de C.V.  
Av. Principal La Paz #100  
Fracc. Industrial La Paz  
28100 Alcobendas (Madrid), Mexico  
Tel: (52) 771 33700  
Fax: (52) 771 83800

**Singapore**  
Applied Power Asia Pte Ltd.  
47 Jalan Pemimpin #01-02  
01-03 Sin Cheong Building  
Singapore 2057  
Thomson Road P.O. Box 114  
Singapore 9157  
Tel: (65) 258 1677  
Fax: (65) 258 2847

**South Korea**  
ENERPAC  
Applied Power Korea Ltd.  
163-12, Dodang-Dong  
Wonmi-gu, Buchun-Shi,  
Kyunggi-Do  
Korea  
Tel: (82) (32) 675 0836  
Fax: (82) (32) 675 3002

**Spain, Portugal**  
ENERPAC  
Applied Power International, S.A.  
Calle de la Imprenta, 7  
Polígono Industrial  
28100 Alcobendas (Madrid)  
Spain  
Tel: (34) 1 661 11 25  
Fax: (34) 1 661 47 89

**United Kingdom, Ireland**  
ENERPAC Ltd. Unit 3  
Colemeadow Road  
North Moons Moat  
Redditch, Worcester B98 9BP  
England  
Tel: 44 01527 598 900  
Fax: 44 01527 585 500

**United States, Canada,  
Latin America and  
Caribbean**  
ENERPAC  
13000 West Silver Spring Drive  
Butler, Wisconsin 53007, USA  
Tel: (414) 781-6600  
1-800-433-2766 (End User)  
1-800-558-0530 (Distributor)  
Fax: (414) 781-1049

**Canada**  
Tel: 1-800-426-4129 (End User)  
Tel: 1-800-426-2284 (Distributor)

**Latin America and Caribbean**  
Tel: (414) 781-6600 ext. 263  
Fax: (414) 781-5561



**All Enerpac products are guaranteed against defects in workmanship and materials for as long as you own them. Under this guarantee, free repair or replacement will be made to your satisfaction.**

**For prompt service, contact your Authorized Enerpac Service Center or call toll free:**

**In U.S.A. 1-800-558-0530  
In Canada 1-800-426-2284**