

L-1809
REV. A
01/97
PC 4380

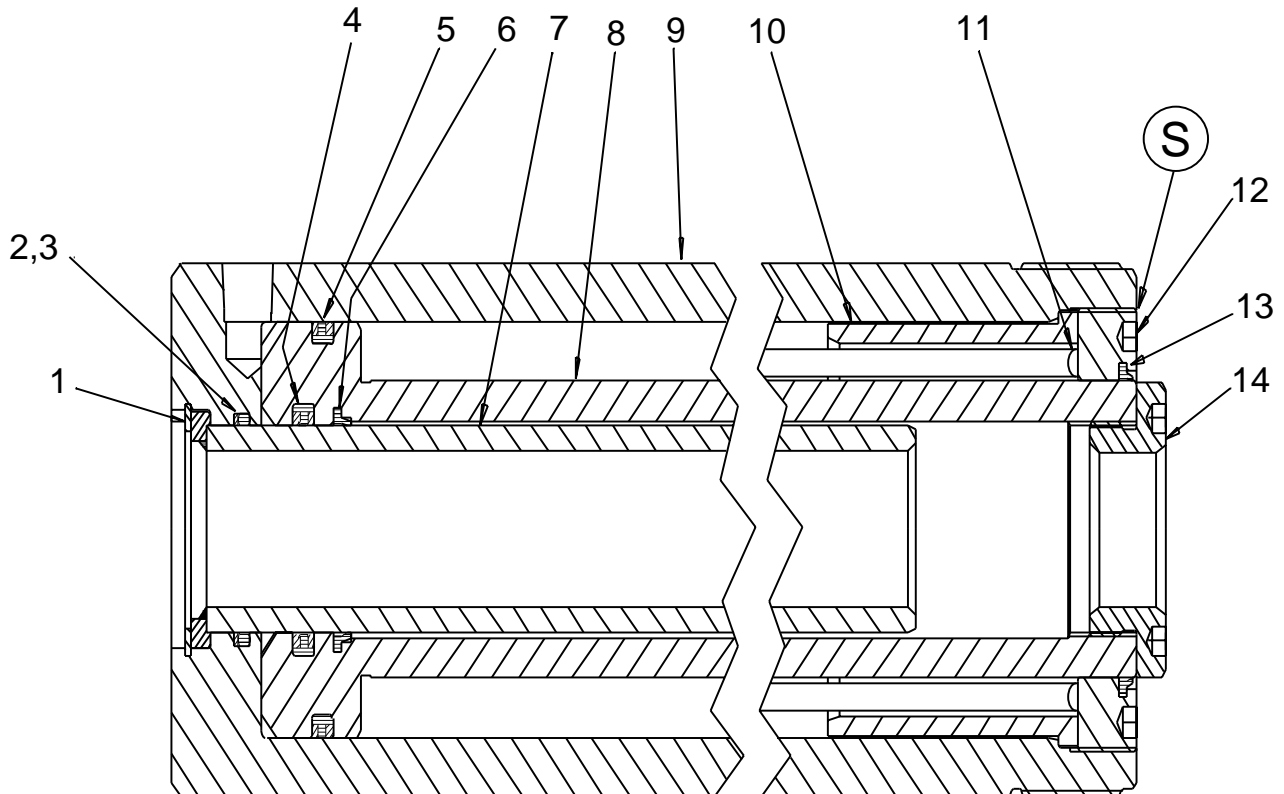
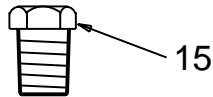
For Date Codes Beginning With "C"

⚠ WARNING

STOP RINGS ON RWH MODELS ARE SPRING LOADED!
IF NOT CONTAINED DURING DISASSEMBLY, SPRING
AND STOP RING COULD CAUSE PERSONAL INJURY.

NOTE: Cylinder Base, Item #9, is not available
as a service item. Order complete cylinder.

(S) Indicates staked threads. Stake
mark must be removed prior to
disassembly. Failure to do so may
result in damage to parts. Restake
after test of repaired cylinder.



TO PROTECT YOUR WARRANTY, USE ONLY ENERPAC HYDRAULIC OIL

Parts List

Item No.	Part Numbers				Qty.	Description
	RWH-300	RWH-300V	RWH-301	RWH301V		
1	★	★	★	★	1	Retaining Ring
2	★	★	★	★	1	O-Ring
3	★	★	★	★	1	Back-Up Ring
4	★	★	★	★	1	G-T Ring Assembly
5	★	★	★	★	1	G-T Ring Assembly
6	★	★	★	★	1	Wiper Ring
7	DA5054900	DA5054900	DA5053900	DA5053900	1	Tube Weldment
8	DA5056040	DA5056040	DA5055040	DA5055040	1	Plunger
9	DA5058030	DA5058030	DA5057030	DA5057030	1	Cylinder Base
10	DA4069268	DA4069268	DA4069268	DA4069268	1	Tube
11	CH259110	CH259110	CH259110	CH259110	1	Spring
12	DA3464044	DA3464044	DA3464044	DA3464044	1	Stop Ring
13	★	★	★	★	1	Wiper Ring
14	CF698045	CF698045	CF698045	CF698045	1	Saddle
15	CJ657032	CJ657032	CJ657032	CJ657032	1	Reducer Bushing
16	CL402271	CL402271	CL402271	CL402271	1	Thread Protector (not shown)
	RCH302K2	RWH302KV	RCH302K2	RWH302KV		Repair Kit

★Indicates Items Included in, and Available Only as Part of Repair Kits

Australia

ENERPAC
Applied Power Australia, Ltd.
P.O. Box 261 Regents Park
Sydney, N.S.W. 2143
Tel: (61) (2) 9743 8988
Fax: (61) (2) 9743 8648

CIS

Applied Power Moscow
Leninsky Prospekt 95A
117313 Moscow, Russia
Tel: (7)(95) 936 5090
Fax: (7)(95) 936 2006

France, Switzerland, Turkey, Greece, Africa, Middle East

ENERPAC S.A.
Parc d'Activité du Moulin
de Massy
1 rue du Saule trapu, BP200
F-91882 Massy CEDEX
(Paris) France
Tel: (33) 1 60 13 68 68
Fax: (33) 1 69 20 37 50

Germany, Scandinavia, Eastern Europe, Austria, Switzerland

ENERPAC
Applied Power GmbH
P.O. Box 30 01 13
Mündelheimer Weg 51
40401 Düsseldorf 30
Germany
Tel: (49) (211) 47 14 90
Fax: (49) (211) 4714 928/940

Holland, Belgium, and Luxemburg

ENERPAC B.V.
P.O. Box 269, Storkstraat 25
3900AG Veenendaal
Holland
Tel: (31) (318) 535911
Fax: (31) (318) 525613/526645

Hong Kong

ENERPAC
Room No. 907, Workingberg
Commercial Building
41-47 Marble Road, North Point
Tel: (852) 561-6295
Fax: (852) 561-6772

India

ENERPAC
Hydraulics (India) Pvt Ltd.
203 Vardhaman Chamber
Plot #84, Sector 17
Vashi, New Bombay 400 705
India
Tel: 91-22-7631062
Fax: 91-22-7670309

Italy

ENERPAC
Applied Power Italiana S.p.A.
Via Canova, 4
20094 Corsico (Milano)
Italy
Tel: 39 2 45 82 741/2/3
Fax: 39 2 48 60 12 88

Japan

Applied Power Japan LTD
10-17 Sasame Kita-cho
Toda-City
Saitama 335,
Japan
Tel: 81 048 422 2251
Telex: J26275
Fax: 81 048 422 0596

Mexico

ENERPAC
Applied Power Mexico S.A. de C.V.
Av. Principal La Paz #100
Fracc. Industrial La Paz
42084 Pachuca. Hidalgo, Mexico
Tel: (52) 771 33700
Fax: (52) 771 83800

Singapore

Applied Power Asia Pte Ltd.
47 Jalan Pemimpin #01-02
01-03 Sin Cheong Building
Singapore 2057
Thomson Road P.O. Box 114
Singapore 9157
Tel: (65) 258 1677
Fax: (65) 258 2847

South Korea

ENERPAC
Applied Power Korea Ltd.
163-12, Dodang-Dong
Wonmi-gu, Buchun-Shi,
Kyunggi-Do
Korea
Tel: (82) (32) 675 0836
Fax: (82) (32) 675 3002

Spain, Portugal

ENERPAC
Applied Power International, S.A.
Calle de la Imprenta, 7
Polígono Industrial
28100 Alcobendas (Madrid)
Spain
Tel: (34) 1 661 11 25
Fax: (34) 1 661 47 89

United Kingdom, Ireland

ENERPAC Ltd. Unit 3
Colemeadow Road
North Moons Moat
Redditch, Worcester B98 9BP
England
Tel: 44 01527 598 900
Fax: 44 01527 585 500

United States, Canada, Latin America and Caribbean

ENERPAC
13000 West Silver Spring Drive
Butler, Wisconsin 53007, USA
Tel: (414) 781-6600
1-800-433-2766 (End User)
1-800-558-0530 (Distributor)
Fax: (414) 781-1049

Canada

Tel: 1-800-426-4129 (End User)
Tel: 1-800-426-2284 (Distributor)

Latin America and Caribbean

Tel: (414) 781-6600 ext. 263
Fax: (414) 781-5561



All Enerpac products are guaranteed against defects in workmanship and materials for as long as you own them. Under this guarantee, free repair or replacement will be made to your satisfaction.

For prompt service, contact your Authorized Enerpac Service Center or call toll free:

In U.S.A. 1-800-558-0530
In Canada 1-800-426-2284