

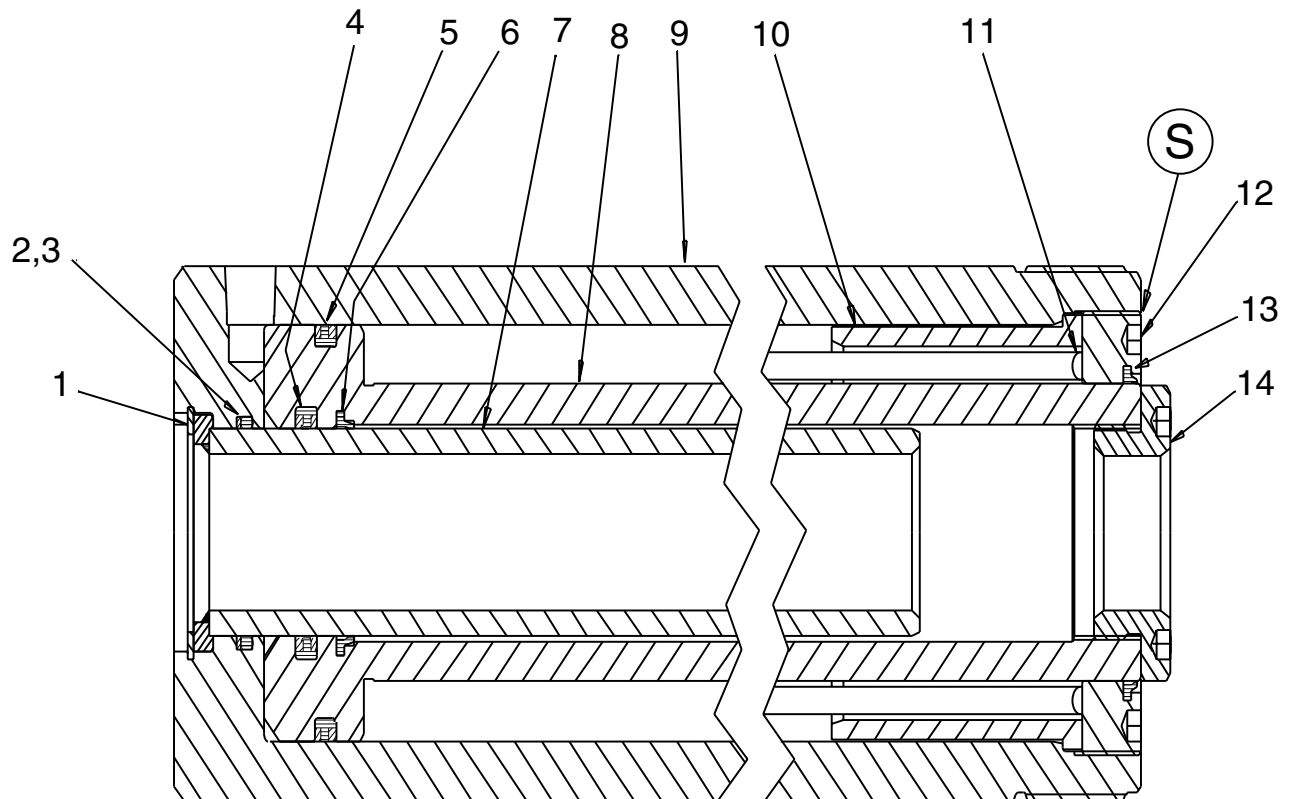
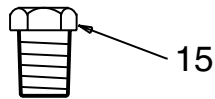
L-1811  
 REV. O  
 02/93  
 PC 4380

For Date Codes Beginning With "C"



**STOP RINGS ON RWH MODELS ARE SPRING LOADED!**  
 IF NOT CONTAINED DURING DISASSEMBLY, SPRING  
 AND STOP RING COULD CAUSE PERSONAL INJURY.

**(S)** Indicates staked threads. Stake mark must be removed prior to disassembly. Failure to do so may result in damage to parts. Restake after test of repaired cylinder.



TO PROTECT YOUR WARRANTY, USE ONLY ENERPAC HYDRAULIC OIL

# Parts List

Item No.	Part Number		Qty.	Description
	RWH-302	RWH-302V		
1	◆A1006049	◆A1006049	1	Retaining Ring
2	◆B1090503	◆B1224203	1	O-Ring
3	◆DA4984566	◆DA4984566	1	Back-Up Ring
4	◆B1327514	◆B1327516	1	G-T Ring Assembly
5	◆B1338513	◆B1338515	1	G-T Ring Assembly
6	◆CJ142044	◆DA4624044	1	Wiper Ring
7	DA4068900	DA4068900	1	Tube Weldment
8	DA4066040	DA4066040	1	Plunger
9	DA4065030	DA4065030	1	Cylinder Base
10	DA4069268	DA4069268	1	Tube
11	CH259110	CH259110	1	Spring
12	DA3464044	DA3464044	1	Stop Ring
13	◆CH50044	◆CM861044	1	Wiper Ring
14	CF698045	CF698045	1	Saddle
15	CJ657032	CJ657032	1	Reducer Bushing
16	CL402271	CL402271	1	Thread Protector (not shown)
	RCH302K2	RWH302KV		Repair Kit

◆ Indicates Items Included in, and Available Only as Part of Repair Kits

**Australia**  
ENERPAC  
Applied Power Australia, Ltd.  
P.O. Box 261 Regents Park  
Sydney, N.S.W. 2143  
Tel: (61) (2) 9743 8988  
Fax: (61) (2) 9743 8648

**CIS**  
Applied Power Moscow  
Leninsky Prospekt 95A  
117313 Moscow, Russia  
Tel: (7)(95) 936 5090  
Fax: (7)(95) 936 2006

**France, Switzerland,  
Turkey, Greece, Africa,  
Middle East**  
ENERPAC S.A.  
Parc d'Activité du Moulin  
de Massy  
1 rue du Saule trapu, BP200  
F-91882 Massy CEDEX  
(Paris) France  
Tel: (33) 1 60 13 68 68  
Fax: (33) 1 69 20 37 50

**Germany, Scandinavia,  
Eastern Europe, Austria,  
Switzerland**  
ENERPAC  
Applied Power GmbH  
P.O. Box 30 01 13  
Mündelheimer Weg 51  
40401 Düsseldorf 30  
Germany  
Tel: (49) (211) 47 14 90  
Fax: (49) (211) 4714 928/940

**Holland, Belgium,  
and Luxembourg**  
ENERPAC B.V.  
P.O. Box 269, Storkstraat 25  
3900AG Veenendaal  
Holland  
Tel: (31) (318) 535911  
Fax: (31) (318) 525613/526645

**Hong Kong**  
ENERPAC  
Room No. 907, Workingberg  
Commercial Building  
41-47 Marble Road, North Point  
Tel: (852) 561-6295  
Fax: (852) 561-6772

**India**  
ENERPAC  
Hydraulics (India) Pvt Ltd.  
203 Vardhaman Chamber  
Plot #84, Sector 17  
Vashi, New Bombay 400 705  
India  
Tel: 91-22-7631062  
Fax: 91-22-7670309

**Italy**  
ENERPAC  
Applied Power Italiana S.p.A.  
Via Canova, 4  
20094 Corsico (Milano)  
Italy  
Tel: 39 2 45 82 741/2/3  
Fax: 39 2 48 60 12 88

**Japan**  
Applied Power Japan LTD  
10-17 Sasame Kita-cho  
Toda-City  
Saitama 335,  
Japan  
Tel: 81 048 422 2251  
Telex: J26275  
Fax: 81 048 422 0596

**Mexico**  
ENERPAC  
Applied Power Mexico S.A. de C.V.  
Av. Principal La Paz #100  
Fracc. Industrial La Paz  
42084 Pachuca, Hidalgo, Mexico  
Tel: (52) 771 33700  
Fax: (52) 771 83800

**Singapore**  
Applied Power Asia Pte Ltd.  
47 Jalan Pemimpin #01-02  
01-03 Sin Cheong Building  
Singapore 2057  
Thomson Road P.O. Box 114  
Singapore 9157  
Tel: (65) 258 1677  
Fax: (65) 258 2847

**South Korea**  
ENERPAC  
Applied Power Korea Ltd.  
163-12, Dodang-Dong  
Wonmi-gu, Buchun-Shi,  
Kyunggi-Do  
Korea  
Tel: (82) (32) 675 0836  
Fax: (82) (32) 675 3002

**Spain, Portugal**  
ENERPAC  
Applied Power International, S.A.  
Calle de la Imprenta, 7  
Polígono Industrial  
28100 Alcobendas (Madrid)  
Spain  
Tel: (34) 1 661 11 25  
Fax: (34) 1 661 47 89

**United Kingdom, Ireland**  
ENERPAC Ltd. Unit 3  
Colemeadow Road  
North Moons Moat  
Redditch, Worcester B98 9BP  
England  
Tel: 44 01527 598 900  
Fax: 44 01527 585 500

**United States, Canada,  
Latin America and  
Caribbean**  
ENERPAC  
13000 West Silver Spring Drive  
Butler, Wisconsin 53007, USA  
Tel: (414) 781-6600  
1-800-433-2766 (End User)  
1-800-558-0530 (Distributor)  
Fax: (414) 781-1049

**Canada**  
Tel: 1-800-426-4129 (End User)  
Tel: 1-800-426-2284 (Distributor)

**Latin America and Caribbean**  
Tel: (414) 781-6600 ext. 263  
Fax: (414) 781-5561



All Enerpac products are guaranteed against defects in workmanship and materials for as long as you own them. Under this guarantee, free repair or replacement will be made to your satisfaction.

For prompt service, contact your Authorized Enerpac Service Center or call toll free:

In U.S.A. 1-800-558-0530

In Canada 1-800-426-2284