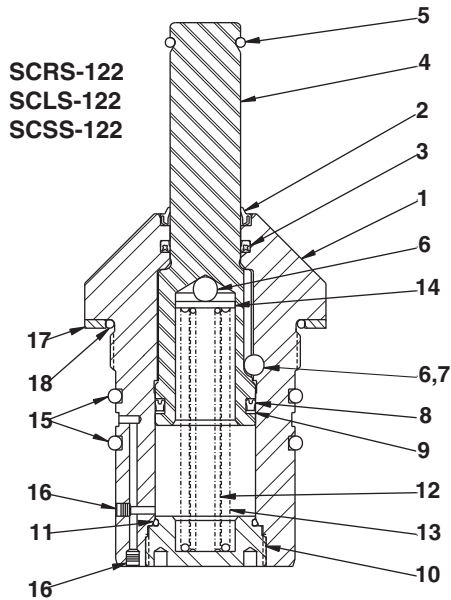


To Protect Your Warranty, Use Only ENERPAC Hydraulic Oil.

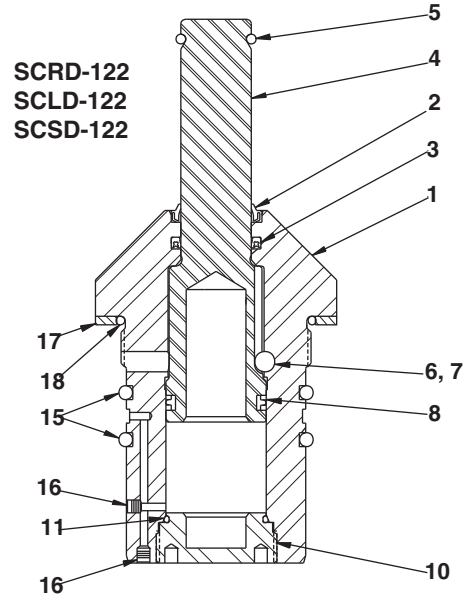
Enerpac recommends that all kit components be installed to insure optimum performance of the repaired product.

Swing Cylinders

Single Acting

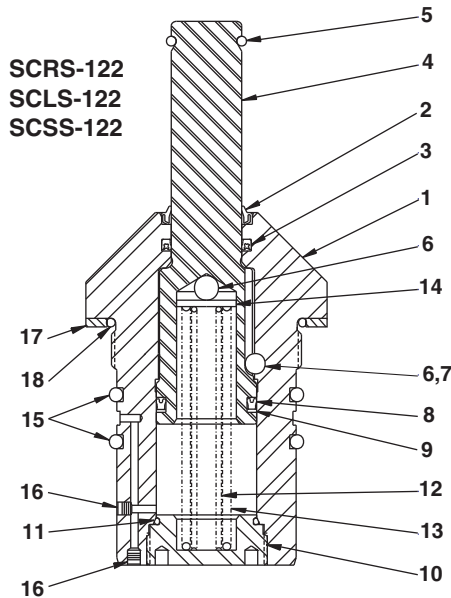


Double Acting

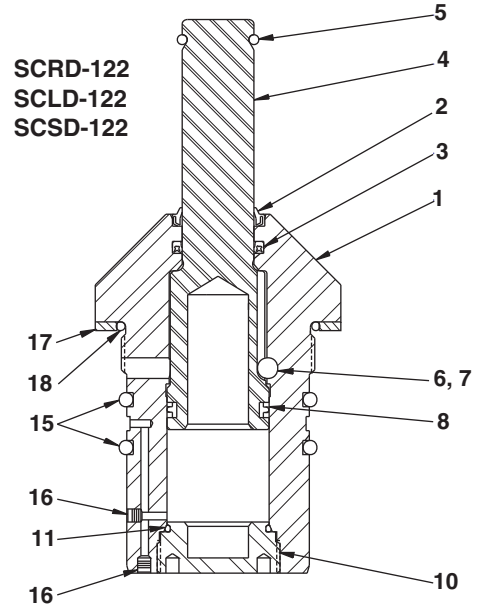


Pull Cylinders

Single Acting



Double Acting



Repair Parts List				
Item	Part Number	Part Number	Qty.	Description
1	PA1863005	PA1863005	1	Base
2	★ DA12141776	★ DA12141776	1	Wiper
	* DA12146776	* DA12146776	1	Wiper (Viton)
3	★ PA1105041	★ PA1105041	1	U-Cup-Rod
	* PA1111041	* PA1111041	1	U-Cup-Rod (Viton)
4	PA1065040	PA1065040	1	Plunger (Swing Cylinders)
	PA1065040	PA1065040		Plunger (Pull Cylinders)
5	★* PA1112049	★* PA1112049	1	Retaining Ring
6	★* B1007016 (2)	★* B1007016 (1)	--	Steel Ball
7	★* PA1403054	★* PA1403054	1	Ball Cup
8	★ PA1104041	★ B1214513 (G-T Ring)	1	U-Cup-Piston
	* PA1110041	* B1214515 (G-T Ring)	1	U-Cup-Piston (Viton)
9	★ B1214564	--	1	Back-Up
10	PA1066044	PA1066044	1	Stop Ring
11	★ B1025803	★ B1025803	1	O-Ring
	* B1025203	* B1025203	1	O-Ring (Viton)
12	★* PA1108110	--	1	Compression Spring
13	★* PA1109110	--	1	Compression Spring
14	★* PA1107108	--	1	Washer
15	★ B1137803	★ B1137803	2	O-Ring
	* B1137203	* B1137203	2	O-Ring (Viton)
16	F100009-58 (2)	F100009-58 (1)	--	Ball Plug
17	★ DC5985903	★ DC5985903	1	O-Ring
	* DC5986203	* DC5986203	1	O-Ring (Viton)
18	★* DC5987108	★* DC5987108	1	Washer
	* SCS122K	* SCD122K	1	Repair Kit
	* SCS122KV	* SCD122KV	1	Repair Kit (Viton)

★ Indicates items included in and available only as part of the Repair Kit.
 * Indicates items included in and available only as part of the Repair Kit (Viton).
NOTE: DC5987108 must be used with DC5985903 and DC5986203



To maintain your warranty:

- Use only Enerpac Oil
- Have your products inspected and repaired by an Enerpac Authorized Service Center



Visit www.enerpac.com for the location of the Enerpac Authorized Service Center nearest you.