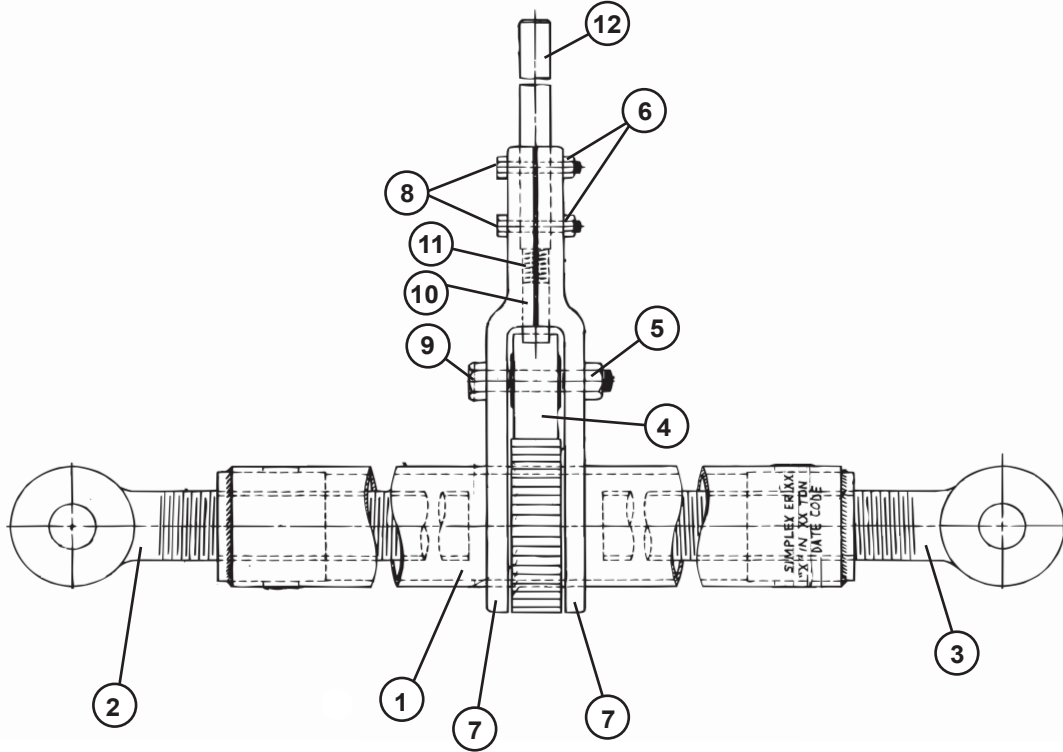




www.simplexmechanicals.com

SER10, SER20, SER30, SER40
LOADBINDER JACK
REPAIR PARTS SHEET

Part Sheet # 54102
Revision - D
Date: 2_11



| ITEM | DESCRIPTION | SER10 | SER20 | SER30 | SER40 | QTY |
|------|-------------------------|-------------------|-------|-------|-------|------|
| 1 | PIPE BARREL | 91448 | 91557 | 91564 | 91451 | 1.00 |
| 2 | SCREW (RIGHT HAND) | 91452 | 91583 | 91584 | 91467 | 1.00 |
| 3 | SCREW (LEFT HAND) | 95265 | 95252 | 95254 | 95253 | 1.00 |
| 4 | PAWL | 91522 | 91522 | 91522 | 91522 | 1.00 |
| 5 | HEX NUT | * | * | * | * | 1.00 |
| 6 | HEX NUT | * | * | * | * | 2.00 |
| 7 | SOCKET HALF | 91548 | 91548 | 91548 | 91548 | 2.00 |
| 8 | HHCS 5/16-18X2" LG | * | * | * | * | 2.00 |
| 9 | HHCS 5/8-11X3.25 LG | * | * | * | * | 1.00 |
| 10 | PLUNGER | ● | ● | ● | ● | 1.00 |
| 11 | PLUNGER SPRING | ● | ● | ● | ● | 1.00 |
| 12 | LEVER BAR | 91525 | 91525 | 91525 | 91525 | 1.00 |
| ● | PLUNGER KIT COMPONENTS | RKER104001 | | | | |
| * | HARDWARE KIT COMPONENTS | RKER104002 | | | | |

WARRANTY STATEMENT

Simplex products are warranted to be free of defects in materials and workmanship under normal use for as long as they are owned by the original purchaser, subject to the exclusions and limitations listed. This warranty does not cover ordinary normal wear & tear, abuse, overloading, alterations, (including repairs or attempted repairs by parties other than SIMPLEX or its Authorized Service Centers), improper fluid, or use in a manner for which they are not intended or use which is contrary to instructions for the products. If the customer believes a product is defective, the product must be delivered, or shipped freight prepaid, to the nearest SIMPLEX Authorized Service Center.