

L1787  
REV B  
09/97  
PC5410

DATE CODES BEGINNING WITH THE LETTER "O".

#### MODEL NUMBER CODE

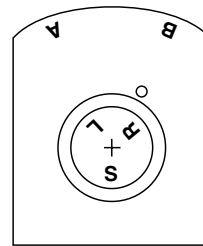
- |                                      |                      |                                      |                      |                    |                     |                           |                          |
|--------------------------------------|----------------------|--------------------------------------|----------------------|--------------------|---------------------|---------------------------|--------------------------|
| <b>1</b>                             | <b>2</b>             | <b>3</b>                             | <b>4</b>             | <b>5</b>           | <b>6</b>            | <b>7</b>                  | <b>8</b>                 |
| 1. S = swing cylinder                | 2. T = threaded body | 3. R = right swing<br>L = left swing | 4. D = double-acting | 5. L = long stroke | 6. 12 = 12 kN force | 7. 1 = imperial body type | 8. V = Viton seal option |
| U = upper flange<br>L = lower flange |                      | S = straight swing                   |                      |                    |                     |                           |                          |

**NOTE:** You may need special tools to reassemble these swing cylinders. Tool drawings are available on request from Enerpac. To obtain tool drawings, contact the Enerpac Technical Services Department at 1-800-433-2766. Please be prepared to provide the Model Number and the Manufacturing Date Code of each swing cylinder being serviced.

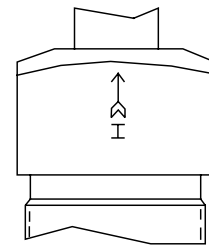
## THREADED BODY MOUNTING STYLE

### Setting Rotation Direction

- When inserting plunger into base, align desired letter to arrow head stamped on side of cylinder body.  
R=right swing rotation  
L=left swing rotation  
S=straight (no rotation)
- Insert plunger with proper tools. You may have to turn the plunger as you insert it to properly align ball in groove.



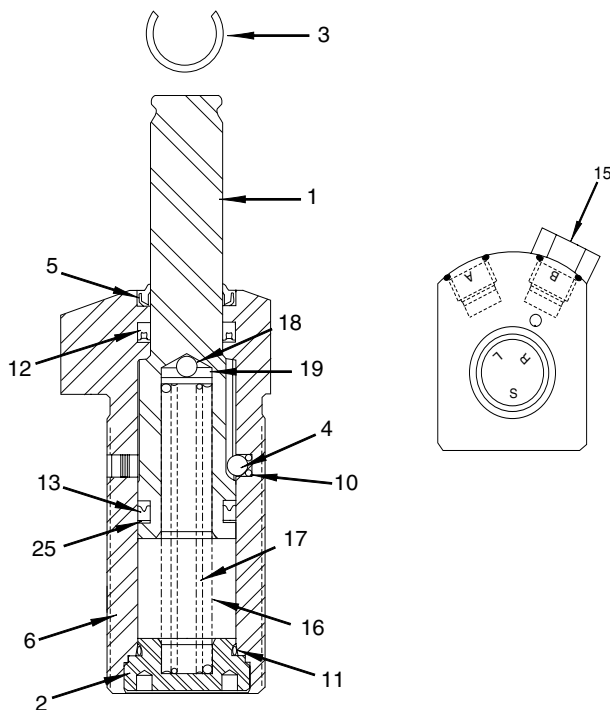
Top View



Front View

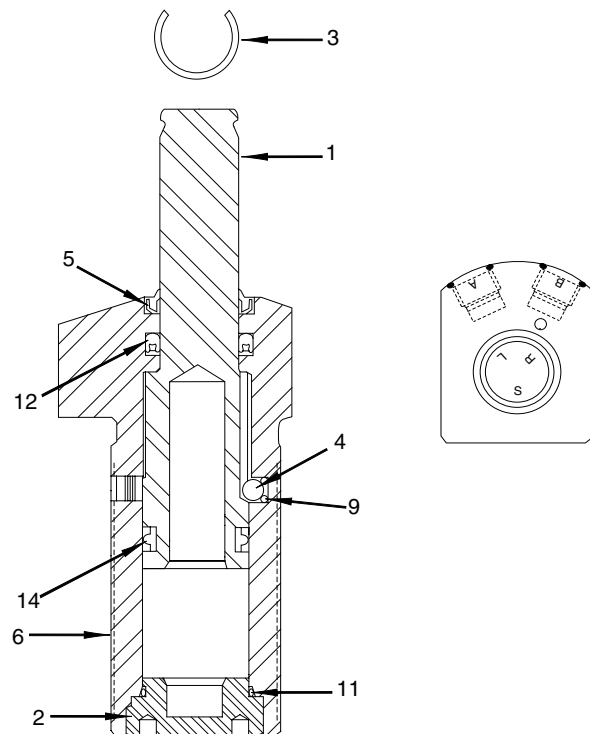
### Single-Acting Models

- Lubricate all seals with Lubriplate prior to assembly.
- Lubricate ball and washer (items 18 & 19) with Lubriplate.
- Torque stop ring (item 2) to 8-15 ft-lbs (11-20 Nm).



### Double-Acting Models

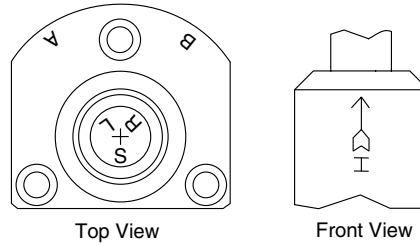
- Lubricate all seals with Lubriplate prior to assembly.
- Torque stop ring (item 2) to 8-15 ft-lbs (11-20 Nm).



# LOWER FLANGE MOUNTING STYLE

## Setting Rotation Direction

- When inserting plunger into base, align desired letter to arrow head stamped on side of cylinder body.  
 R=right swing rotation  
 L=left swing rotation  
 S=straight (no rotation)
- Insert plunger with proper tools. You may have to turn the plunger as you insert it to properly align ball in groove.

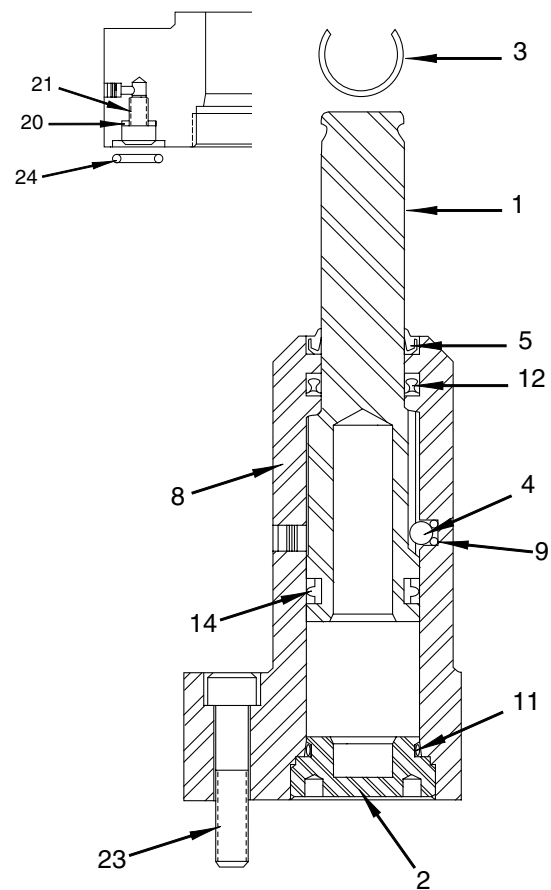
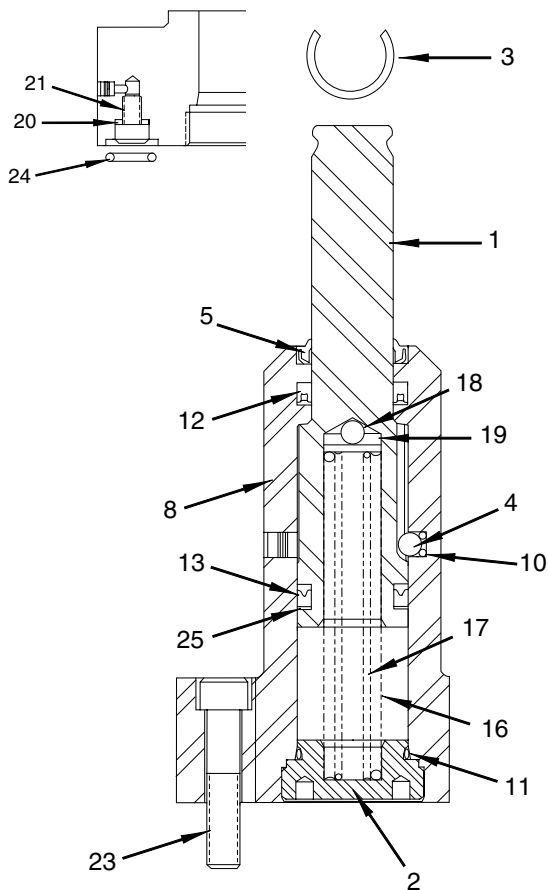
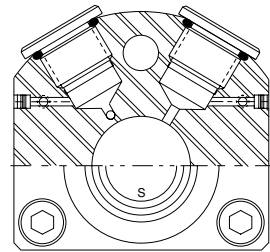
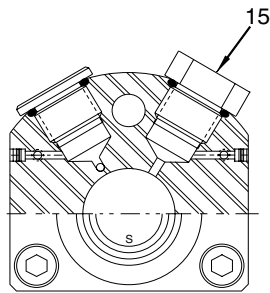


## Single-Acting Models

- Lubricate all seals with Lubriplate prior to assembly.
- Lubricate ball and washer (items 18 & 19) with Lubriplate.
- Torque stop ring (item 2) to 8-15 ft-lbs (11-20 Nm).

## Double-Acting Models

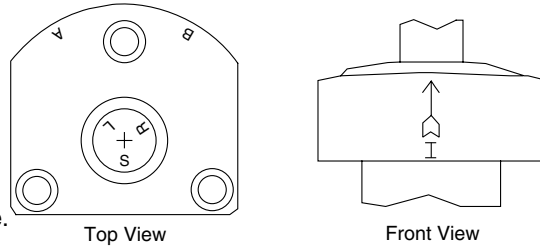
- Lubricate all seals with Lubriplate prior to assembly.
- Torque stop ring (item 2) to 8-15 ft-lbs (11-20 Nm).



# UPPER FLANGE MOUNTING STYLE

## Setting Rotation Direction

- When inserting plunger into base, align desired letter to arrow head stamped on side of cylinder body.  
 R=right swing rotation  
 L=left swing rotation  
 S=straight (no rotation)
- Insert plunger with proper tools. You may have to turn the plunger as you insert it to properly align ball in groove.

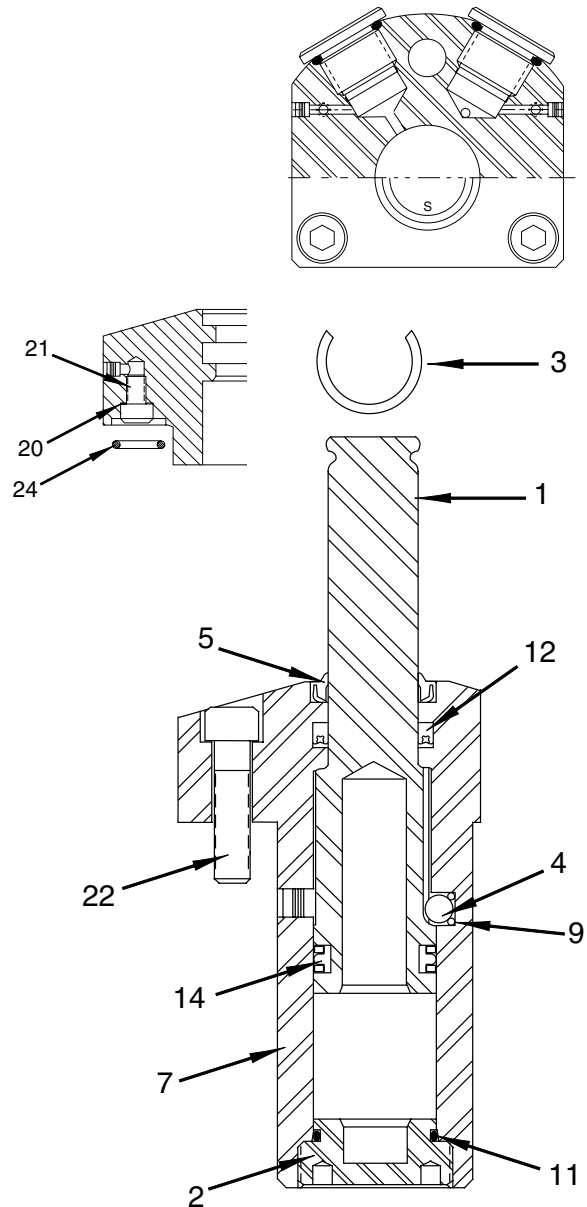
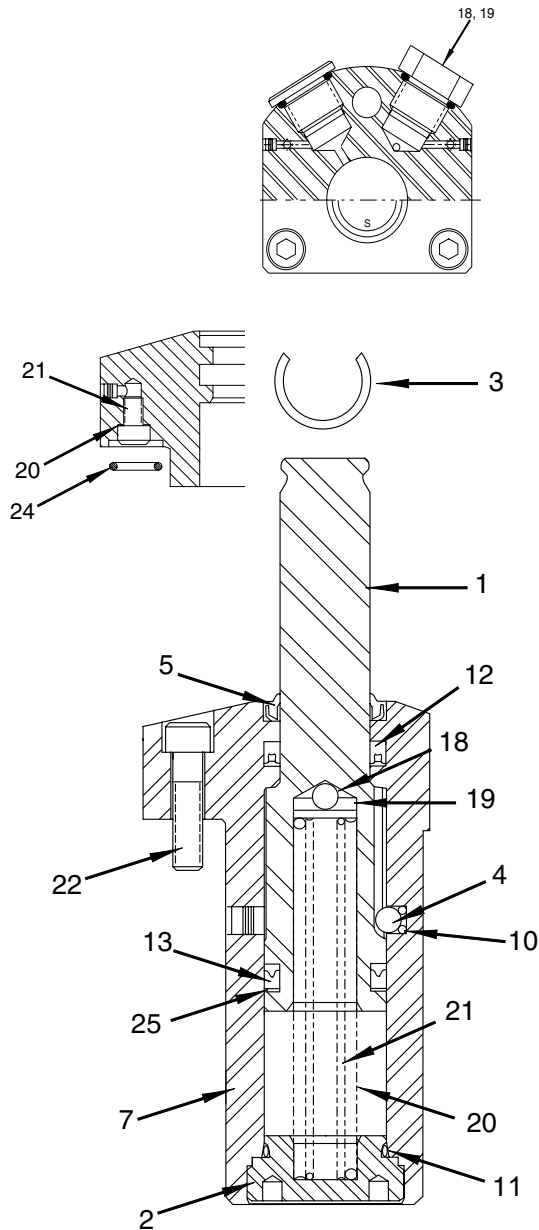


## Single-Acting Models

- Lubricate all seals with Lubriplate prior to assembly.
- Lubricate ball and washer (items 18 & 19) with Lubriplate.
- Torque stop ring (item 2) to 8-15 ft-lbs (11-20 Nm).

## Double-Acting Models

- Lubricate all seals with Lubriplate prior to assembly.
- Torque stop ring (item 2) to 8-15 ft-lbs (11-20 Nm).



## REPAIR PARTS LIST FOR 12 KN SWING CYLINDERS

Item No.	Standard Part Number	Viton Part Number	Quantity	Description
1	PA1065040	PA1065040	1	Plunger
2	PA1066044	PA1066044	1	Stop Ring
3	★ PA1112049	* PA112049	1	Retaining Ring
4	★ B1007016	* B1007016	1	Ball
5	★ DA12146776	* DA12146776	1	Wiper
6	not serviceable	not serviceable	1	Base--Threaded Body
7	not serviceable	not serviceable	1	Base--Upper Flange
8	not serviceable	not serviceable	1	Base--Lower Flange
9	★ B1006803	* B1006203	1	O-Ring (double-acting)
10	★ B1001503	* B1006203	1	O-Ring (single-acting)
11	★ B1025803	* B1025203	1	O-Ring
12	★ PA1105041	* PA1105041	1	U-Cup
13	★ PA1104041	* PA1104041	1	U-Cup--Single-Acting
14	★ B1214513	* B1214515	1	GT-Ring--Double-Acting
15	PA1103950SR	PA1103950SR	1	Vent Plug--Single-Acting
16	★ PA1109110	* PA1109110	1	Spring--Single-Acting
17	★ PA1108110	* PA1108110	1	Spring--Single-Acting
18	★ B1007016	* B1007016	1	Ball--Single-Acting
19	★ PA1107108	* PA1107108	1	Washer--Single-Acting
20	★ PA1303167	* PA1303167	2	Gasket
21	CCA411028-1A	CCA411028-1A	2	Bolt
22	B1352028	B1352028	3	Bolt--Upper Flange
23	B1354028	B1354028	3	Bolt--Lower Flange
24	★ B1011803	* B1011203	2	O-Ring
25	★ B1214564	* B1214564	1	Washer

★Items included in and available only as part of Repair Kit SS121K (Single-Acting) or SD121K (Double-Acting).  
\*Items included in and available only as part of Repair Kit SS121KV (Single-Acting) or SD121KV (Double-Acting).

### Australia

ENERPAC  
Applied Power Australia, Ltd.  
P.O. Box 261 Regents Park  
Sydney, N.S.W. 2143  
Tel: (61) (2) 9743 8988  
Fax: (61) (2) 9743 8648

### CIS

Applied Power Moscow  
Leninsky Prospekt 95A  
117313 Moscow, Russia  
Tel: (7)(95) 936 5090  
Fax: (7)(95) 936 2006

### France, Switzerland, Turkey, Greece, Africa, Middle East

ENERPAC S.A.  
Parc d'Activité du Moulin  
de Massy  
1 rue du Saule trapu, BP200  
F-91882 Massy CEDEX  
(Paris) France  
Tel: (33) 1 60 13 68 68  
Fax: (33) 1 69 20 37 50

### Germany, Scandinavia, Eastern Europe, Austria, Switzerland

ENERPAC  
Applied Power GmbH  
P.O. Box 30 01 13  
Mündelheimer Weg 51  
40401 Düsseldorf 30  
Germany  
Tel: (49) (211) 47 14 90  
Fax: (49) (211) 4714 928/940

### Holland, Belgium, and Luxemburg

ENERPAC B.V.  
P.O. Box 269, Storkstraat 25  
3900AG Veenendaal  
Holland  
Tel: (31) (318) 535911  
Fax: (31) (318) 525613/526645

### Hong Kong

ENERPAC  
Room No. 907, Workingberg  
Commercial Building  
41-47 Marble Road, North Point  
Tel: (852) 561-6295  
Fax: (852) 561-6772

### India

ENERPAC  
Hydraulics (India) Pvt Ltd.  
203 Vardhaman Chamber  
Plot #84, Sector 17  
Vashi, New Bombay 400 705  
India  
Tel: 91-22-7631062  
Fax: 91-22-7670309

### Italy

ENERPAC  
Applied Power Italiana S.p.A.  
Via Canova, 4  
20094 Corsico (Milano)  
Italy  
Tel: 39 2 45 82 741/2/3  
Fax: 39 2 48 60 12 88

### Japan

Applied Power Japan LTD  
10-17 Sasame Kita-cho  
Toda-City  
Saitama 335,  
Japan  
Tel: 81 048 422 2251  
Telex: J26275  
Fax: 81 048 422 0596

### Mexico

ENERPAC  
Applied Power Mexico S.A. de C.V.  
Av. Principal La Paz #100  
Fracc. Industrial La Paz  
42084 Pachuca. Hidalgo, Mexico  
Tel: (52) 771 33700  
Fax: (52) 771 83800

### Singapore

Applied Power Asia Pte Ltd.  
47 Jalan Pemimpin #01-02  
Singapore 2057  
01-03 Sin Cheong Building  
Singapore 9157  
Tel: (65) 258 1677  
Fax: (65) 258 2847

### South Korea

ENERPAC  
Applied Power Korea Ltd.  
163-12, Dodang-Dong  
Wonmi-gu, Buchun-Shi,  
Kyunggi-Do  
Korea  
Tel: (82) (32) 675 0836  
Fax: (82) (32) 675 3002

### Spain, Portugal

ENERPAC  
Applied Power International, S.A.  
Calle de la Imprenta, 7  
Polígono Industrial  
28100 Alcobendas (Madrid)  
Spain  
Tel: (34) 1 661 11 25  
Fax: (34) 1 661 47 89

### United Kingdom, Ireland

ENERPAC Ltd. Unit 3  
Colemeadow Road  
North Moons Moat  
Redditch, Worcester B98 9BP  
England  
Tel: 44 01527 598 900  
Fax: 44 01527 585 500

### United States, Canada, Latin America and Caribbean

ENERPAC  
13000 West Silver Spring Drive  
Butler, Wisconsin 53007, USA  
Tel: (414) 781-6600  
1-800-433-2766 (End User)  
1-800-558-0530 (Distributor)  
Fax: (414) 781-1049

### Canada

Tel: 1-800-426-4129 (End User)  
Tel: 1-800-426-2284 (Distributor)

### Latin America and Caribbean

Tel: (414) 781-6600 ext. 263  
Fax: (414) 781-5561



**All Enerpac products are guaranteed against defects in workmanship and materials for as long as you own them. Under this guarantee, free repair or replacement will be made to your satisfaction.**

**For prompt service, contact your Authorized Enerpac Service Center or call toll free:**

**In U.S.A. 1-800-558-0530  
In Canada 1-800-426-2284**

PRINTED IN U.S.A.