

▼ STTC2000 Safe T™ Torque Checker



**Portable torque-check system for accurate, quick torque values in the field**



**Applications**

All bolted joints from 144 Ft.lbs up to 16,100 Ft.lbs (195 - 21.800 Nm).

- All Enerpac torque wrenches up to the maximum capacity of the Torque Checker. Also for other brands that fit the envelope of the Torque Checker
- Oil & Gas flanges
- Tower Crane installation
- Bigger machine installation/assembly
- Wind Tower installation etc.

**Industries:**

- Oil & Gas, Petrochemical
- Wind Power Generation
- Marine
- Manufacturing
- Mining, Rail and more

**Safety & Accuracy**

- Durable mobile testing device for Enerpac hydraulic torque wrench
- Delivering ultimate on site accuracy, testing the entire wrench, pump and hose system to be used on the job
- Consistent and repeatable: ±1% accurate range.

**Durability**

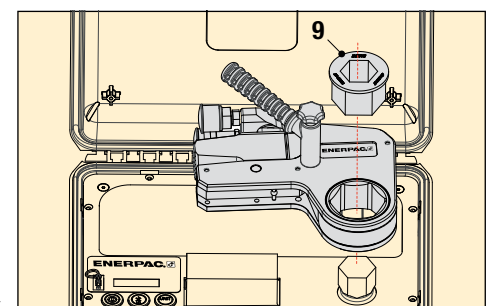
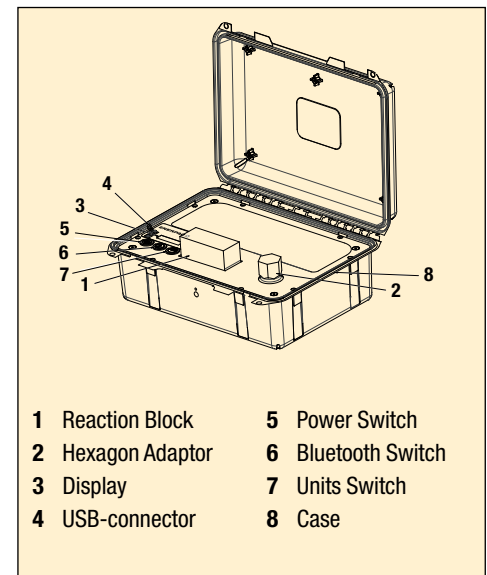
- Durable splash-proof keypad and display for those harsh working environments
- Impact-resistant composite carrying case

**Simplicity**

- Allows the user to validate and test the exact system (torque wrench, pump, hose, etc.) to give a digital read out in Ft.lbs or Nm
- Easy to operate – power up and start testing
- Portable for the field: all in one compact carrying case, ideal for use on the road with its durable internal 3.6 V-2.2 Ah Lithium-ion battery

**Versatility**

- Can test all Enerpac S, W, RSL, HMT and DSX-Series wrenches of both square drive and hexagon cassettes up to 16,100 Ft.lbs (21,800 Nm)
- Hex Reducers or Square Drive Sockets to be purchased separately



Hexagon Reducer, No. 9, must be bought separately. See selection tables on next page. ▶

# Safe T™ Torque Checker



## Safe T™ Torque Checker

Mobile, compact safety device allows the end user to instantly validate the performance of the entire system to be used - not just the wrench only. Allows the user to test the system on-site and in situ.

The user can validate and test the exact torque system (wrench, pump, hose, etc) to give an accurate digital read out.

### Safety

The user can verify if the torque system is safe to operate, functioning correctly and within the desired safety parameters.

## Unique from Enerpac

No need to wait for annual calibration tests to be confident in the performance and safety of your equipment. The Safe T Torque Checker equipment can validate in seconds, saving time and money.

### Hexagon Reducers

The W-Series Hexagon Reducers from the tables below, can be used with all W, RLP and HLP-Series hexagon cassettes.

## STTC Series



Maximum Testing Output:

**16,100 Ft.lbs (21,800 Nm)**

Accuracy:

**± 1%**

Battery:

**3.6 V Lithium-ion**

For use with STTC2000		
Hexagon Size	Cassette Model Number	Hexagon Reducer to 1 3/16" (30 mm) Model No.
(inch)	(mm)	
1 1/16	-	W2101X -
1 1/8	-	W2102X -
1 3/16	30	W2103X *
1 1/4	32	W2104X **
1 1/2	-	W2105X **
1 5/8	-	W2106X W2106R103D
1 3/4	36	W2107X W2107R103D
1 7/8	38	W2108X W2108R103
1 9/8	-	W2109X W2109R103
1 5/4	41	W2110X W2110R103
1 11/8	-	W2111X W2111R103
1 3/4	-	W2112X W2112R103
1 13/8	46	W2113X W2113R103
1 7/8	-	W2114X W2114R103
1 9/8	-	W2115X W2115R103
2	50	W2200X W2200R103
2 1/16	-	W2201X W2201R103
2 1/8	-	W2202X W2202R103
2 1/4	55	W2203X W2203R103
2 1/2	-	W2204X W2204R103
2 3/8	-	W2205X W2205R103
2 1/2	60	W2206X W2206R103

For use with STTC4000		
Hexagon Size	Cassette Model Number	Hexagon Reducer to 1 7/16" (36 mm) Model No.
(inch)	(mm)	
1 5/16	-	W4105X -
1 3/8	-	W4106X -
1 7/16	36	W4107X *
1 1/2	-	W4108X **
1 9/16	-	W4109X **
1 5/8	41	W4110X W4110R107
1 11/16	-	W4111X W4111R107
1 3/4	-	W4112X W4112R107
1 13/16	46	W4113X W4113R107
1 7/8	-	W4114X W4114R107
1 9/8	-	W4115X W4115R107
2	50	W4200X W4200R107
2 1/16	-	W4201X W4201R107
2 1/8	-	W4202X W4202R107
2 1/4	55	W4203X W4203R107
2 1/2	-	W4204X W4204R107
2 3/8	-	W4205X W4205R107
2 1/2	60	W4206X W4206R107
2 3/4	-	W4207X W4207R107
2 5/8	-	W4208X W4208R107
2 9/16	65	W4209X W4209R107
2 1/2	-	W4210X W4210R107
2 11/16	-	W4211X W4211R107
2 3/4	70	W4212X W4212R107
2 13/16	-	W4213X W4213R107
2 7/8	-	W4214X W4214R107
2 9/8	75	W4215X W4215R107
3	-	W4300X W4300R107
3 1/16	-	W4301X W4301R107
3 1/8	80	W4302X W4302R107
3 1/4	-	W4303X W4303R107
3 1/2	-	W4304X W4304R107
3 3/8	-	W4305X W4305R107
3 1/2	-	W4306X W4306R107
-	85	W4085MX W4085MR107

For use with STTC8000		
Hexagon Size	Cassette Model Number	Hexagon Reducer to 2 inch (50 mm) Model No.
(inch)	(mm)	
1 7/8	-	W8114X -
1 9/8	-	W8115X -
2	50	W8200X *
2 1/16	-	W8201X **
2 1/8	-	W8202X **
2 1/4	55	W8203X W8203R200
2 1/2	-	W8204X W8204R200
2 3/8	-	W8205X W8205R200
2 1/2	60	W8206X W8206R200D
2 7/8	-	W8207X W8207R200
2 9/8	-	W8208X W8208R200
2 3/4	65	W8209X W8209R200
2 5/8	-	W8210X W8210R200
2 11/8	-	W8211X W8211R200
2 3/4	70	W8212X W8212R200
2 9/8	-	W8213X W8213R200
2 7/8	-	W8214X W8214R200
2 13/8	75	W8215X W8215R200
3	-	W8300X W8300R200
3 1/16	-	W8301X W8301R200
3 1/8	80	W8302X W8302R200
3 1/4	-	W8303X W8303R200
3 1/2	-	W8304X W8304R200
3 3/8	-	W8305X W8305R200
-	85	W8085MX W8085MR200
3 3/8	-	W8306X W8306R200
3 7/16	-	W8307X W8307R200
3 1/2	-	W8308X W8308R200
-	90	W8090MX W8090MR200
3 9/16	-	W8309X W8309R200
3 5/8	-	W8310X W8310R200
3 11/16	-	W8311X W8311R200
3 3/4	95	W8312X W8312R200
3 7/8	-	W8313X W8313R200
3 9/8	-	W8314X W8314R200
3 13/8	100	W8315X W8315R200
4	-	W8400X W8400R200
4 1/16	-	W8401X W8401R200
4 1/8	105	W8402X W8402R200

For use with STTC15000		
Hexagon Size	Cassette Model Number	Hexagon Reducer to 2 1/2 inch Model No.
(inch)	(mm)	
2 7/16	-	W15207X -
2 1/2	-	W15208X -
2 9/16	65	W15209X -
2 5/8	-	W15210X *
2 11/16	-	W15211X **
2 3/4	70	W15212X **
2 13/16	-	W15213X **
2 7/8	-	W15214X W15214R210
2 9/8	75	W15215X W15215R210
3	-	W15300X W15300R210
3 1/16	-	W15301X W15301R210
3 1/8	80	W15302X W15302R210
3 1/4	-	W15303X W15303R210
3 1/2	-	W15304X W15304R210
3 3/8	-	W15305X W15305R210
-	85	W15085MX W15085MR210
3 3/8	-	W15306X W15306R210
3 7/16	-	W15307X W15307R210
3 1/2	-	W15308X W15308R210
-	90	W15090MX W15090MR210
3 9/16	-	W15309X W15309R210
3 5/8	-	W15310X W15310R210
3 11/16	-	W15311X W15311R210
3 3/4	95	W15312X W15312R210
3 7/8	-	W15313X W15313R210
3 9/8	-	W15314X W15314R210
3 13/8	100	W15315X W15315R210
4	-	W15400X W15400R210
4 1/16	-	W15401X W15401R210
4 1/8	105	W15402X W15402R210
4 1/4	-	W15403X W15403R210
4 1/2	-	W15404X W15404R210
4 3/8	110	W15405X W15405R210
4 3/4	-	W15406X W15406R210
4 7/16	-	W15407X W15407R210
4 1/2	-	W15408X W15408R210
-	115	W15115MX W15115MR210
4 9/16	-	W15409X W15409R210
4 3/4	-	W15410X W15410R210



### Hexagon Reducers:

Must be purchased separately. Can be used with all W, RLP and HLP-Series hexagon cassettes.

\* Standard hexagon size of adaptor included with STTC model

\*\* Requires special reaction block

Nominal Measurable Torque Output		Model Number <sup>1)</sup>	Hexagon Adaptor Included		Carry Case Size L x W x H	Weight	Sockets to be used with Square Drive Wrenches <sup>2)</sup>	Hexagon Cassette fits Adaptor. For other hexagon sizes, see table above with Hexagon Reducers sizes <sup>2)</sup>		
(Ft.lbs)	(Nm)		(inch)	(mm)	(inch)	(lbs)		W-Series	RSL-Series	HMT-Series
2140	2900	<b>STTC 2000</b>	1 3/16	30	16 x 13 x 13	13	BSH7530	W2103X	RLP1103	HLP1103
4383	5950	<b>STTC 4000</b>	1 7/16	36	16 x 13 x 13	18	BSH1036	W4107X	RLP3107	HLP3107
8893	12.000	<b>STTC 8000</b>	2	50	24.5 x 19.6 x 6.6	42	BSH1550	W8200X	RLP5200	HLP3200
16.100	21.800	<b>STTC 15000</b>	2 5/8	-	24.5 x 19.6 x 6.6	57	BSH15263	W15210X	RLP8210	HLP7210

<sup>1)</sup> With 3,6 V-2,2 Ah Lithium-ion battery.

<sup>2)</sup> Square drive sockets, hexagon cassettes and hexagon reducers must be bought separately.