

L1786 Rev. E 03/06

For Date Codes Beginning with the Letter "O"

MODEL NUMBER CODE

- | | |
|--|---|
| 1 S = swing cylinder | 4 S = single-acting
D = double-acting |
| 2 T = threaded body
U = upper flange
L = lower flange | 5 5 = 5 kN force |
| 3 R = right swing
L = left swing
S = straight swing | 6 1 = imperial body type
2 = metric body type |
| | 7 V = Viton seal option |

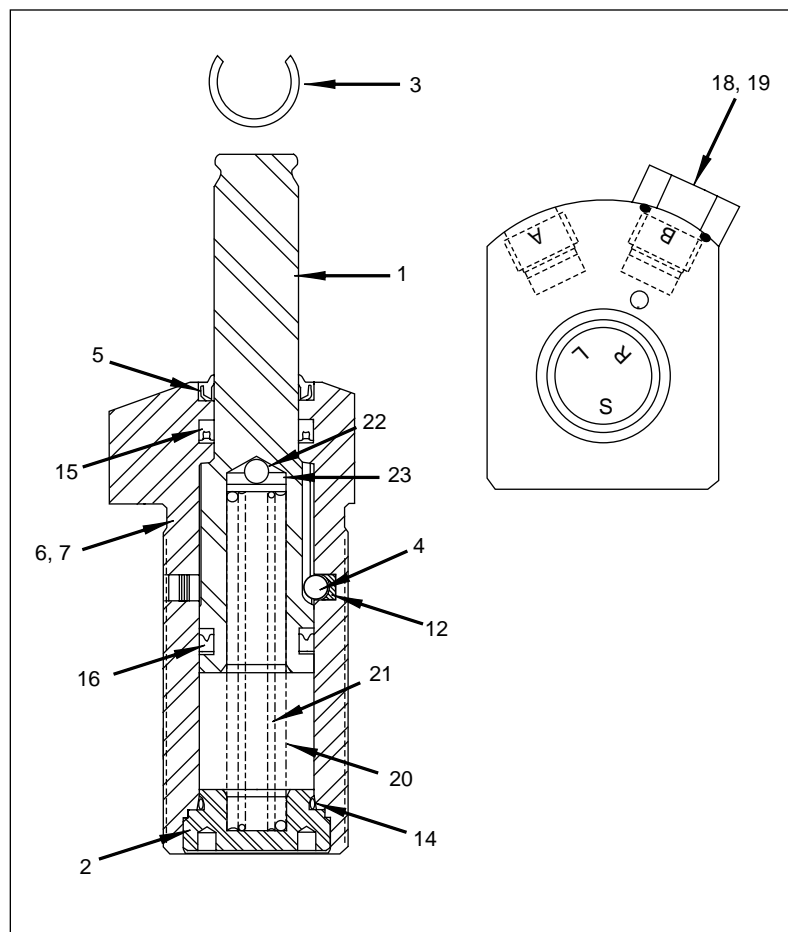
THREADED BODY MOUNTING STYLE

Setting Rotation Direction

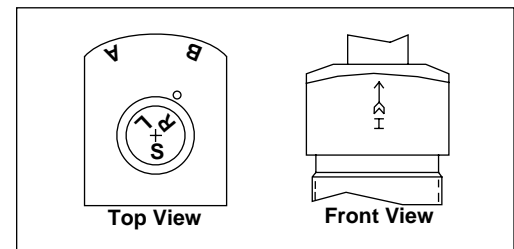
- When inserting plunger into base, align desired letter to arrow head stamped on side of cylinder body.
R = right swing rotation **L** = left swing rotation
S = straight (no rotation)
- Insert plunger with proper tools. You may have to turn the plunger as you insert it to properly align ball in groove.

SINGLE-ACTING MODELS

- Lubricate all seals with Lubriplate prior to assembly.
- Lubricate ball and washer (items 18 & 19) with Lubriplate.
- Torque stop ring (item 2) to 8-15 ft-lbs (11-20 Nm).

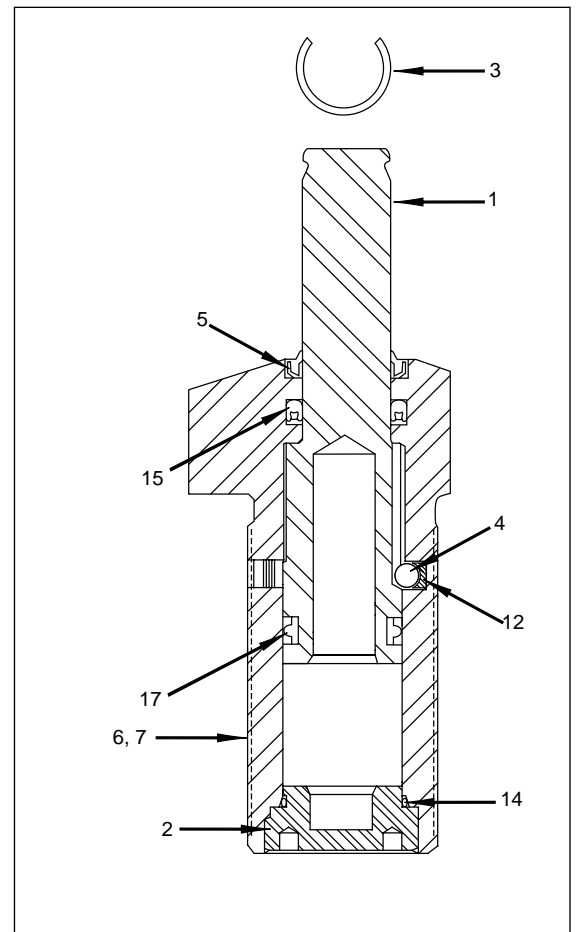


NOTE: You may need special tools to reassemble these swing cylinders. Tool drawings are available on request from Enerpac. To obtain tool drawings, contact the Enerpac Technical Services Department at 1-800-433-2766. Please be prepared to provide the Model Number and the Manufacturing Date Code of each swing cylinder being serviced.



DOUBLE-ACTING MODELS

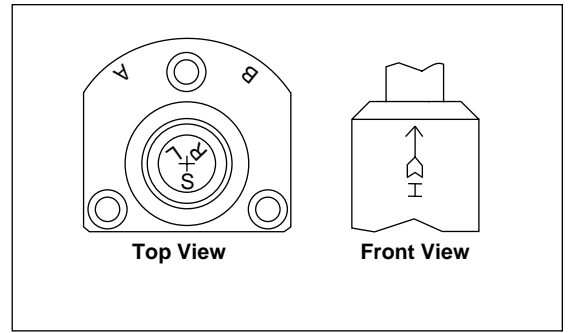
- Lubricate all seals with Lubriplate prior to assembly.
- Torque stop ring (item 2) to 8-15 ft-lbs (11-20 Nm).



LOWER FLANGE MOUNTING STYLE

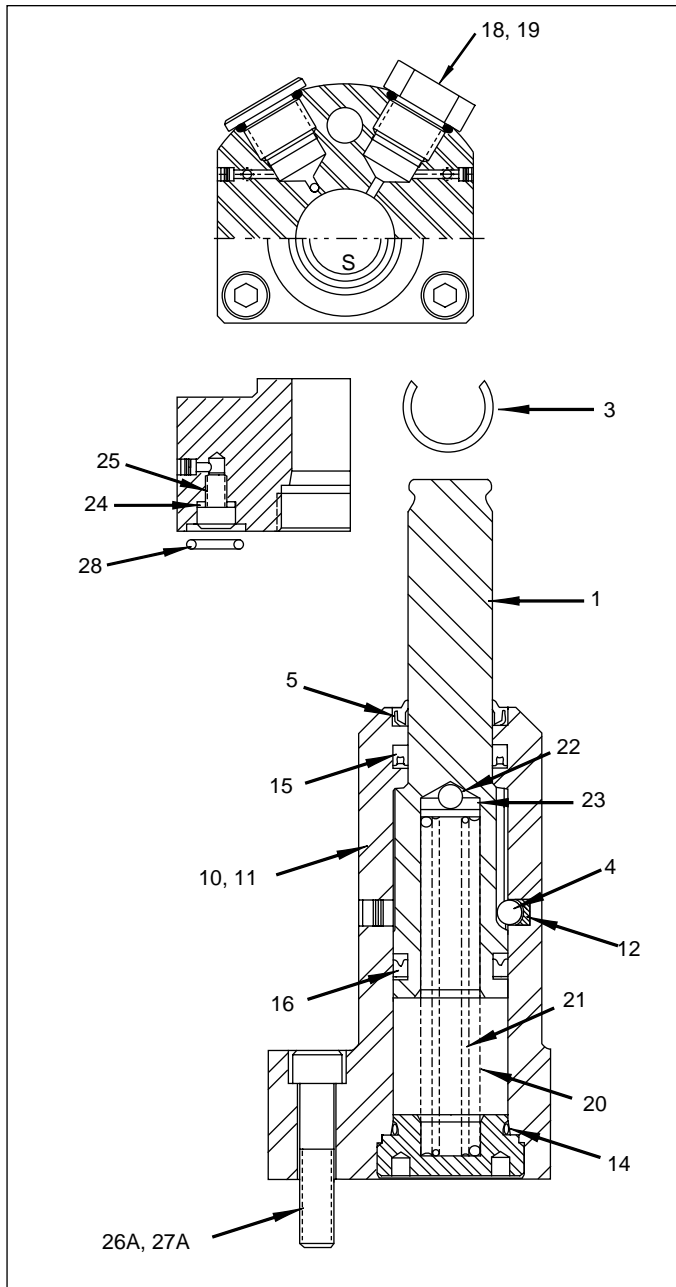
Setting Rotation Direction

- When inserting plunger into base, align desired letter to arrow head stamped on side of cylinder body.
R = right swing rotation **L** = left swing rotation
S = straight (no rotation)
- Insert plunger with proper tools. You may have to turn the plunger as you insert it to properly align ball in groove.



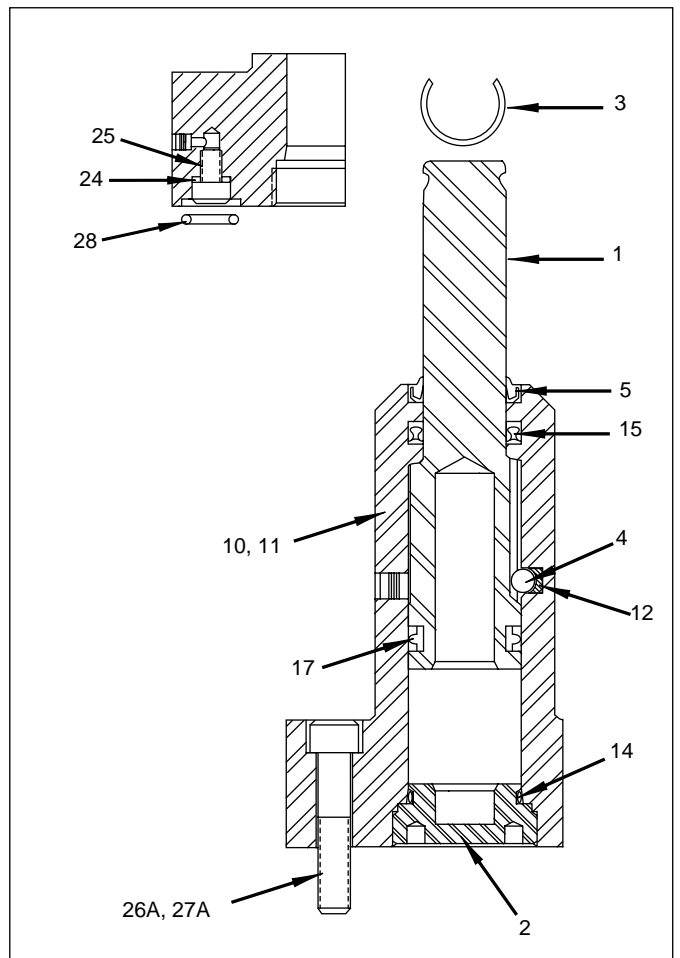
SINGLE-ACTING MODELS

- Lubricate all seals with Lubriplate prior to assembly.
- Lubricate ball and washer (items 18 & 19) with Lubriplate.
- Torque stop ring (item 2) to 8-15 ft-lbs (11-20 Nm).



DOUBLE-ACTING MODELS

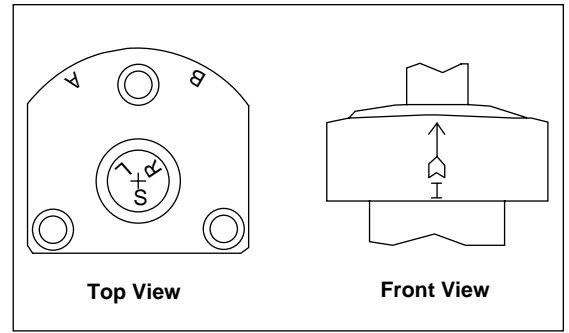
- Lubricate all seals with Lubriplate prior to assembly.
- Torque stop ring (item 2) to 8-15 ft-lbs (11-20 Nm).



UPPER FLANGE MOUNTING STYLE

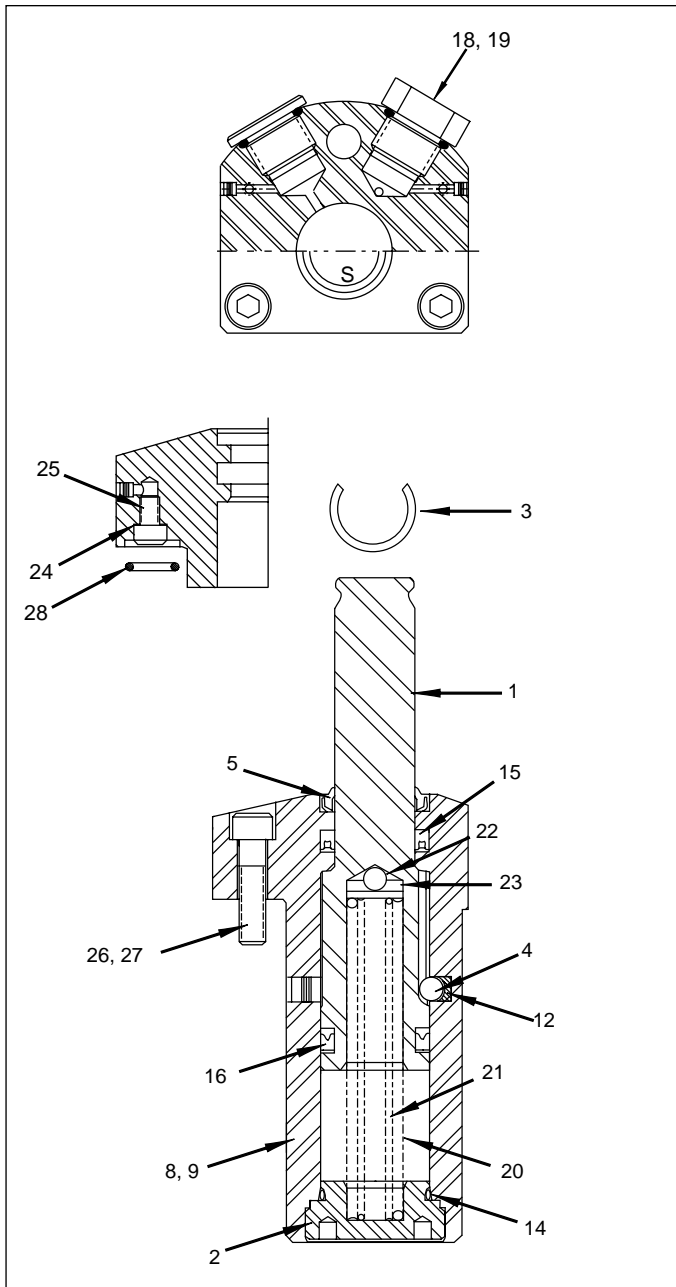
Setting Rotation Direction

- When inserting plunger into base, align desired letter to arrow head stamped on side of cylinder body.
R = right swing rotation **L** = left swing rotation
S = straight (no rotation)
- Insert plunger with proper tools. You may have to turn the plunger as you insert it to properly align ball in groove.



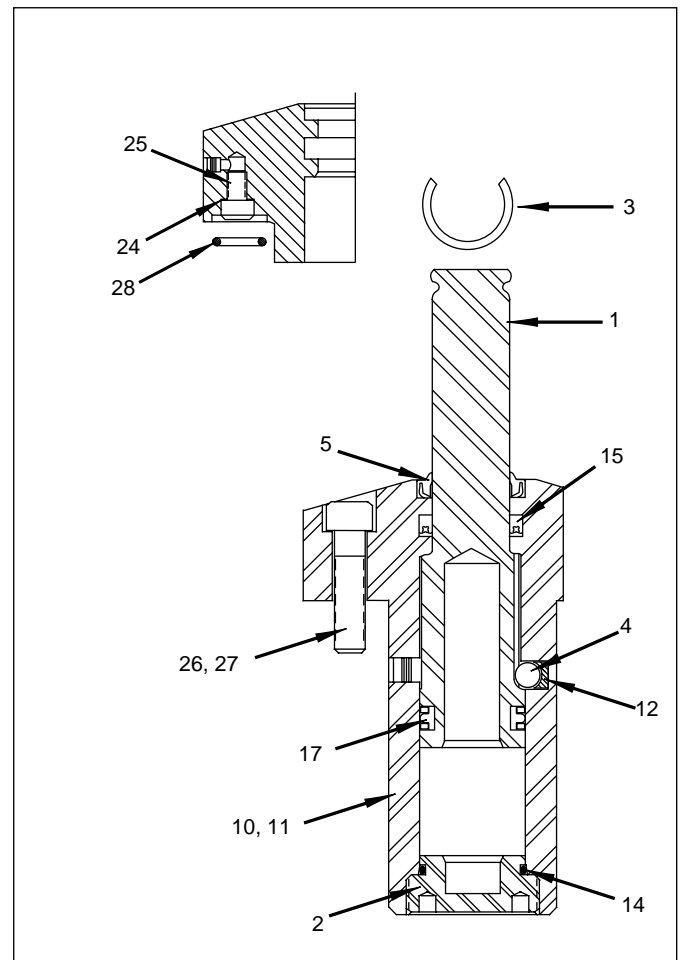
SINGLE-ACTING MODELS

- Lubricate all seals with Lubriplate prior to assembly.
- Lubricate ball and washer (items 18 & 19) with Lubriplate.
- Torque stop ring (item 2) to 8-15 ft-lbs (11-20 Nm).



DOUBLE-ACTING MODELS

- Lubricate all seals with Lubriplate prior to assembly.
- Torque stop ring (item 2) to 8-15 ft-lbs (11-20 Nm).



Repair Parts List for 5 KN Swing Cylinders

Item	Standard Part Number	Viton Part Number	Qty.	Description
1	PA1234040	PA1234040	1	Plunger
2	PA1252044	PA1252044	1	Stop Ring
3	★ PA1157049	† PA1157049	1	Retaining Ring
4	★ F100016-5	† F100016-5	1	Ball
5	★ PA1133776	† PA1797776	1	Wiper
6	PA1240005SR	PA1240005SR	1	Base – Threaded (imperial)
7	PA1248005SR	PA1248005SR	1	Base – Threaded (metric)
8	PA1241005SR	PA1241005SR	1	Base – Upper Flange (imperial)
9	PA1249005SR	PA1249005SR	1	Base – Upper Flange (metric)
10	PA1242005SR	PA1242005SR	1	Base – Lower Flange (imperial)
11	PA1250005SR	PA1250005SR	1	Base – Lower Flange (metric)
12	★ PA1403054	† PA1403054	1	Ball Cup
14	★ B1018803	† B1018203	1	O-Ring
15	★ PA1149041	† PA1153041	1	U-Cup
16	★ PA1141041	† PA1145041	1	U-Cup (single-acting)
17	★ B1208513	† PA1254515	1	GT-Ring (double-acting)
18	PA1103950SR	PA1103950SR	1	Vent Plug (single-acting) (imperial)
19	PA1267950SR	PA1267950SR	1	Vent Plug (single-acting) (metric)
20	★ PA1404110	† PA1404110	1	Spring (single-acting)
21	★ PA1405110	† PA1405110	1	Spring (single-acting)
22	★ F100016-5	† F100016-5	1	Ball (single-acting)
23	★ PA1201108	† PA1201108	1	Washer (single-acting)
24	★ PA1303167	† PA1303167	2	Gasket
25	CCA411028-1A	CCA411028-1A	2	Bolt
26	B1014028	B1014028	3	Bolt – Upper Flange (imperial)
26A	B1016028	B1016028	3	Bolt – Lower Flange (imperial)
27	CCA623028-1A	CCA623028-1A	3	Bolt – Upper Flange (metric)
27A	CCA625028-1A	CCA625028-1A	3	Bolt – Lower Flange (metric)
28	★ B1011803	† B1011203	2	O-Ring

★ Items included in and available only as part of Repair Kit SS51K (single-acting) or SD51K (double-acting).
 Items included in and available only as part of Repair Kit SS51KV (single-acting) or SD51KV (double-acting).

Enerpac Worldwide Locations

Africa
 ENERPAC Middle East FZE
 P.O. Box 18004
 Jebel Ali, Dubai
 United Arab Emirates
 Tel: +971 (0)4 8872686
 Fax: +971 (0)4 8872687

Australia
 Actuant Australia Ltd.
 Block V Unit 3
 Regents Park Estate
 391 Park Road
 Regents Park NSW 2143
 (P.O. Box 261) Australia
 Tel: +61 297 438 988
 Fax: +61 297 438 648

Brazil
 Power Packer do Brasil Ltda.
 Rua dos Inocentes, 587
 04764-050 - Sao Paulo (SP)
 Tel: +55 11 5687 2211
 Fax: +55 11 5686 5583
Toll Free in Brazil:
 Tel: 0800 891 5770
 vendasbrasil@enerpac.com

Canada
 Actuant Canada Corporation
 6615 Ordan Drive, Unit 14-15
 Mississauga, Ontario L5T 1X2
 Tel: +1 905 564 5749
 Fax: +1 905 564 0305
Toll Free:
 Tel: +1 800 268 4987
 Fax: +1 800 461 2456
Technical Inquiries:
 techservices@enerpac.com

China
 Actuant China Ltd.
 1F, 269 Fute N. Road
 Waigaoqiao Free Trade Zone
 Pudong New District
 Shanghai, 200 131 China
 Tel: +86 21 5866 9099
 Fax: +86 21 5866 7156

Actuant China Ltd. (Beijing)
 709B Diyang Building
 Xin No. 2
 Dong San Huan North Rd.
 Beijing City
 100028 China
 Tel: +86 10 845 36166
 Fax: +86 10 845 36220

Central and Eastern Europe, Greece
 ENERPAC B.V.
 Galvanistraat 115
 P.O. Box 8097
 6710 AB Ede
 The Netherlands
 Tel: +31 318 535 936
 Fax: +31 318 535 951

France, Switzerland francophone
 ENERPAC
 Une division de ACTUANT
 France S.A.
 B.P. 200, Parc d'Activités
 du Moulin de Massy
 F-91882 Massy CEDEX France
 Tel: +33 1 60 13 68 68
 Fax: +33 1 69 20 37 50

◆ e-mail: info@enerpac.com

Germany, Austria, Greece and Switzerland
 ENERPAC GmbH
 P.O. Box 300113
 D-40401 Düsseldorf
 Germany
 Tel: +49 211 471 490
 Fax: +49 211 471 49 28

India
 ENERPAC Hydraulics
 (India) Pvt. Ltd.
 Office No. 9, 10 & 11,
 Plot No. 56, Monarch Plaza,
 Sector 11, C.B.D. Belapur
 Navi Mumbai 400614, India
 Tel: +91 22 2756 6090
 Tel: +91 22 2756 6091
 Fax: +91 22 2756 6095

Italy
 ENERPAC S.p.A.
 Via Canova 4
 20094 Corsico (Milano)
 Tel: +39 02 4861 111
 Fax: +39 02 4860 1288

Japan
 Applied Power Japan Ltd.
 Besshochou 85-7
 Saitama-shi, Kita-ku,
 Saitama 331-0821
 Japan
 Tel: +81 48 662 4911
 Fax: +81 48 662 4955

Middle East, Turkey and Caspian Sea
 ENERPAC Middle East FZE
 P.O. Box 18004
 Jebel Ali, Dubai
 United Arab Emirates
 Tel: +971 (0)4 8872686
 Fax: +971 (0)4 8872687

Russia and CIS (excl. Caspian Sea Countries)
 Actuant LLC
 Admiral Makarov Street 8
 125212 Moscow, Russia
 Tel: +7-495-9809091
 Fax: +7-495-9809092

Singapore
 Actuant Asia Pte. Ltd.
 25 Serangoon North Ave. 5
 #03-01 Keppel Digihub
 Singapore 554914
 Thomson Road
 P.O. Box 114
 Singapore 915704
 Tel: +65 64 84 5108
 +65 64 84 3737
 Fax: +65 64 84 5669
 +1800 363 7722
Technical Inquiries:
 techsupport@enerpac.com.sg

South Korea
 Actuant Korea Ltd.
 3Ba 717,
 Shihwa Industrial Complex
 Jungwang-Dong, Shihung-Shi,
 Kyunggi-Do
 Republic of Korea 429-450
 Tel: +82 31 434 4506
 Fax: +82 31 434 4507

◆ internet: www.enerpac.com

Spain and Portugal
 ENERPAC
 C/San José Artesano 8
 Pol. Ind.
 28108 Alcobendas
 (Madrid) Spain
 Tel: +34 91 661 11 25
 Fax: +34 91 661 47 89

The Netherlands, Belgium, Luxembourg, Sweden, Denmark, Norway, Finland and Baltic States
 ENERPAC B.V.
 Galvanistraat 115
 P.O. Box 8097, 6710 AB Ede
 The Netherlands
 Tel: +31 318 535 911
 Fax: +31 318 525 613
 +31 318 535 848

Technical Inquiries Europe:
 techsupport.europe@enerpac.com

United Kingdom, Ireland
 Enerpac Ltd
 Bentley Road South
 Darlaston, West Midlands
 WS10 8LQ, United Kingdom
 Tel: +44 (0)121 50 50 787
 Fax: +44 (0)121 50 50 799

USA, Latin America and Caribbean
 ENERPAC
 P.O. Box 3241
 6100 N. Baker Road
 Milwaukee, WI 53209 USA
 Tel: +1 262 781 6600
 Fax: +1 262 783 9562

Inquiries/orders:
 +1 800 558 0530

Technical Inquiries:
 techservices@enerpac.com

All Enerpac products are guaranteed against defects in workmanship and materials for as long as you own them. For your nearest authorized Enerpac Service Center, visit us at www.enerpac.com