

L-2005  
 Rev. A  
 03/97  
 PC5412

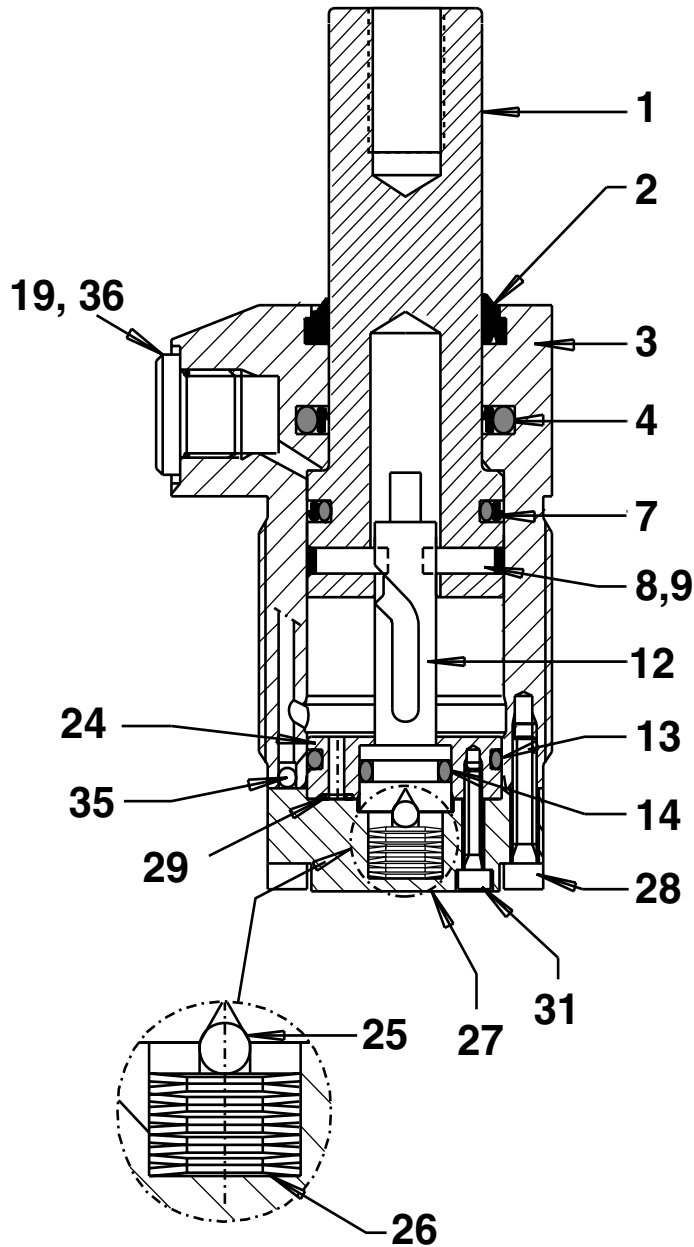
DATE CODES BEGINNING WITH THE LETTER "O".

**MODEL NUMBER CODE**

- |                      |                      |                         |                      |                   |               |                          |
|----------------------|----------------------|-------------------------|----------------------|-------------------|---------------|--------------------------|
| <b>1</b>             | <b>2</b>             | <b>3</b>                | <b>4</b>             | <b>5</b>          | <b>6</b>      | <b>7</b>                 |
| 1. P = Pull cylinder | 2. T = Threaded body | 3. S = Straight retract | 4. D = Double-acting | 5. 9 = 9 kN force | 6. 2 = Metric | 7. V = Viton seal option |
|                      | U = Upper flange     |                         |                      |                   |               |                          |
|                      | L = Lower flange     |                         |                      |                   |               |                          |

**THREADED BODY MOUNTING STYLE**

1. Lubricate all seals with Lubriplate prior to assembly.
2. Torque item 28 to 37-44 *in.-lbs.* [4,2-5 Nm].
3. Torque item 31 to 16-18 *in.-lbs.* [1,8-2 Nm].

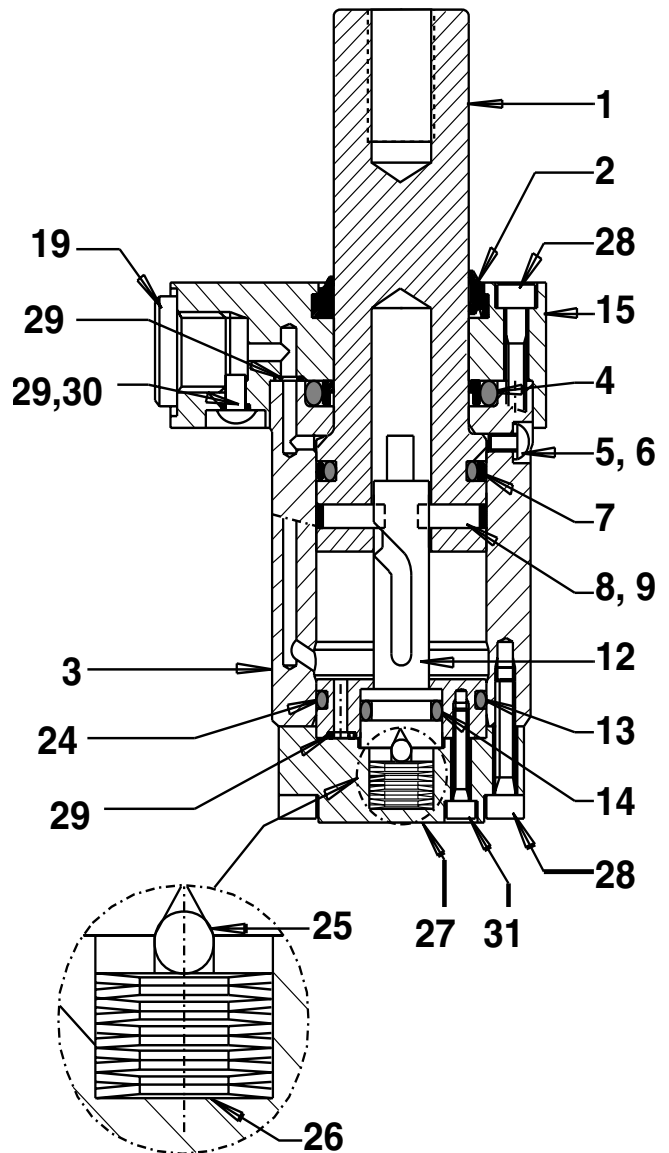
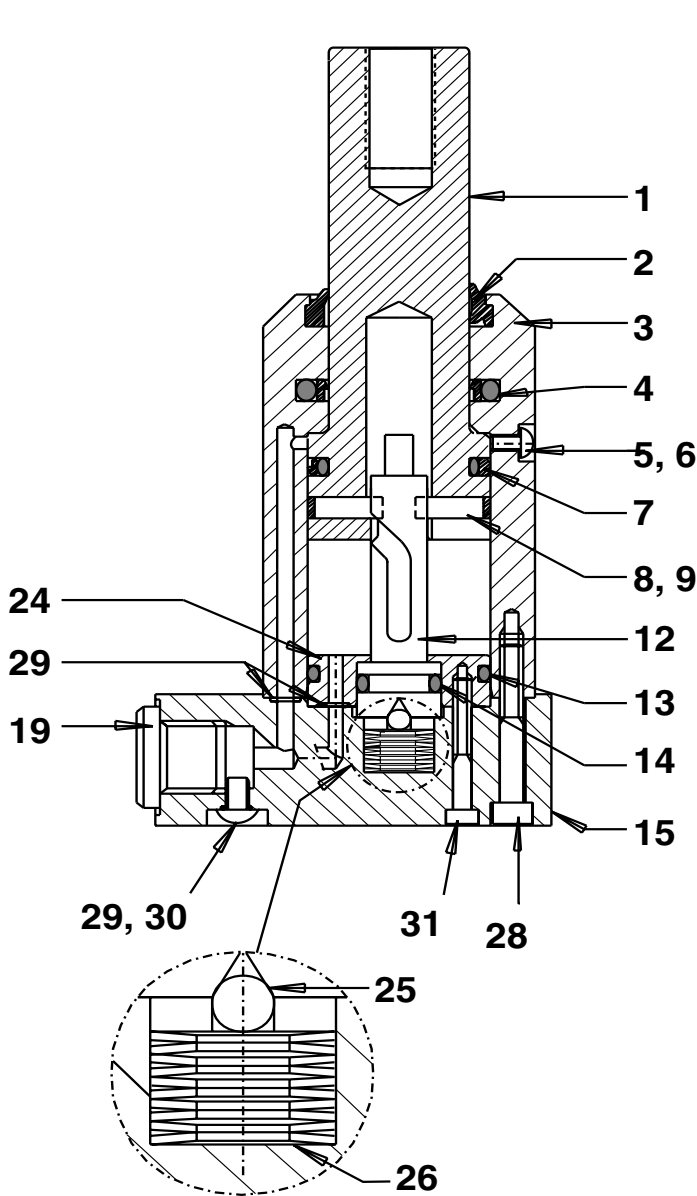


## LOWER FLANGE MOUNTING STYLE

## UPPER FLANGE MOUNTING STYLE

1. Lubricate all seals with Lubriplate prior to assembly.
2. Torque item 6 to 11-13 in.-lbs.
3. Torque item 28 to 37-44 in.-lbs. [4,2-5 Nm].
4. Torque item 30 to 22-27 in.-lbs. [2,5-3 Nm].
5. Torque item 31 to 16-18 in.-lbs. [1,8-2 Nm].

1. Lubricate all seals with Lubriplate prior to assembly.
2. Torque item 6 to 11-13 in.-lbs.
3. Torque item 28 to 37-44 in.-lbs. [4,2-5 Nm].
4. Torque item 30 to 22-27 in.-lbs. [2,5-3 Nm].
5. Torque item 31 to 16-18 in.-lbs. [1,8-2 Nm].



**REPAIR PARTS LIST FOR 9 KN PULL CYLINDERS**

<b>Item No.</b>	<b>Standard Part Number</b>	<b>Viton Part Number</b>	<b>Qty.</b>	<b>Description</b>
1	DA12024040	DA12024040	1	Plunger
2	★ CZ280041	* CZ280041	1	Wiper
3	CZ361030	CZ361030	1	Base--Threaded Body
	CZ371030	CZ371030	1	Base--Lower Flange
	CZ373030	CZ373030	1	Base--Upper Flange
4	★ CZ366041	* CZ395041	1	Stepseal
5	CBA309028-1E	CBA309028-1E	1	HSRH Screw
6	CYA310041-1A	CYA310041-1A	1	Multiseal
7	★ CZ367041	* CZ396041	1	Glyd Ring
8	CZ368061	CZ368061	2	Needle
9	★ CZ384071	* CZ384071	2	Nylon Disc
12	CZ389149	CZ389149	1	Index Rod
13	★ B1121903	* B1121203	1	O-Ring
14	★ B1110803	* B1110203	1	O-Ring
15	CZ372004	CZ372004	1	Lower Flange
	CZ374004	CZ374004	1	Upper Flange
19	CV853271	CV853271	2	Thread Protector--Threaded Body
	CS235006	CS235006	2	Plug
24	CZ393225	CZ393225	1	Insert
25	CCA425061-2A	CCA425061-2A	1	Dowel Pin
26	CZ385110	CZ385110	10	Spring Disc
27	CZ363044	CZ363044	1	End Plate
28	CCA421028-1A	CCA421028-1A	8	SHSC Screw--Threaded Body
	CCA425028-1A	CCA425028-1A	8	SHSC Screw--Lower Flange
	CCA421028-1A	CCA421028-1A	16	SHSC Screw--Upper Flange
29	★ CZ391041	* CZ397041	1	O-Ring--Threaded Body
	★ CZ391041	* CZ397041	4	O-Ring--Lower Flange
	★ CZ391041	* CZ397041	5	O-Ring--Upper Flange
30	CBA411028-1E	CBA411028-1E	2	HSRH Screw
31	CCA319028-1A	CCA319028-1A	3	SHSC Screw--Threaded Body
	CCA323028-1A	CCA323028-1A	3	SHSC Screw--Lower Flange
	CCA319028-1A	CCA319028-1A	4	SHSC Screw--Upper Flange
32	CCA625028-1A	CCA625028-1A	4	Mounting Bolt
33	★ CZ392041	* CZ392041	2	O-Ring
35	B1003016	B1003016	1	Ball
36	B1219503	B1219503	2	O-Ring

★ Indicates Items included in and available only as part of Repair Kit SD92K.  
 \* Indicates Items included in and available only as part of Repair Kit SD92KV.

**Australia**

ENERPAC  
Applied Power Australia, Ltd.  
P.O. Box 261 Regents Park  
Sydney, N.S.W. 2143  
Tel: (61) (2) 9743 8988  
Fax: (61) (2) 9743 8648

**CIS**

Applied Power Moscow  
Leninsky Prospekt 95A  
117313 Moscow, Russia  
Tel: (7)(95) 936 5090  
Fax: (7)(95) 936 2006

**France, Switzerland,  
Turkey, Greece, Africa,  
Middle East**

ENERPAC S.A.  
Parc d'Activité du Moulin  
de Massy  
1 rue du Saule trapu, BP200  
F-91882 Massy CEDEX  
(Paris) France  
Tel: (33) 1 60 13 68 68  
Fax: (33) 1 69 20 37 50

**Germany, Scandinavia,  
Eastern Europe, Austria,  
Switzerland**

ENERPAC  
Applied Power GmbH  
P.O. Box 30 01 13  
Mündelheimer Weg 51  
40401 Düsseldorf 30  
Germany  
Tel: (49) (211) 47 14 90  
Fax: (49) (211) 4714 928/940

**Holland, Belgium,  
and Luxembourg**

ENERPAC B.V.  
P.O. Box 269, Storkstraat 25  
3900AG Veenendaal  
Holland  
Tel: (31) (318) 535911  
Fax: (31) (318) 525613/526645

**Hong Kong**

ENERPAC  
Room No. 907, Workingberg  
Commercial Building  
41-47 Marble Road, North Point  
Tel: (852) 561-6295  
Fax: (852) 561-6772

**India**

ENERPAC  
Hydraulics (India) Pvt Ltd.  
203 Vardhaman Chamber  
Plot #84, Sector 17  
Vashi, New Bombay 400 705  
India  
Tel: 91-22-7631062  
Fax: 91-22-7670309

**Italy**

ENERPAC  
Applied Power Italiana S.p.A.  
Via Canova, 4  
20094 Corsico (Milano)  
Italy  
Tel: 39 2 45 82 741/2/3  
Fax: 39 2 48 60 12 88

**Japan**

Applied Power Japan LTD  
10-17 Sasame Kita-cho  
Toda-City  
Saitama 335,  
Japan  
Tel: 81 048 422 2251  
Telex: J26275  
Fax: 81 048 422 0596

**Mexico**

ENERPAC  
Applied Power Mexico S.A. de C.V.  
Av. Principal La Paz #100  
Fracc. Industrial La Paz  
42084 Pachuca. Hidalgo, Mexico  
Tel: (52) 771 33700  
Fax: (52) 771 83800

**Singapore**

Applied Power Asia Pte Ltd.  
47 Jalan Pemimpin #01-02  
Singapore 2057  
Thomson Road P.O. Box 114  
Singapore 9157  
Tel: (65) 258 1677  
Fax: (65) 258 2847

**South Korea**

ENERPAC  
Applied Power Korea Ltd.  
163-12, Dodang-Dong  
Wonmi-gu, Buchun-Shi,  
Kyunggi-Do  
Korea  
Tel: (82) (32) 675 0836  
Fax: (82) (32) 675 3002

**Spain, Portugal**

ENERPAC  
Applied Power International, S.A.  
Calle de la Imprenta, 7  
Poligono Industrial  
28100 Alcobendas (Madrid)  
Spain  
Tel: (34) 1 661 11 25  
Fax: (34) 1 661 47 89

**United Kingdom, Ireland**

ENERPAC Ltd. Unit 3  
Colemeadow Road  
North Moons Moat  
Redditch, Worcester B98 9BP  
England  
Tel: 44 01527 598 900  
Fax: 44 01527 585 500

**United States, Canada,  
Latin America and  
Caribbean**

ENERPAC  
13000 West Silver Spring Drive  
Butler, Wisconsin 53007, USA  
Tel: (414) 781-6600  
1-800-433-2766 (End User)  
1-800-558-0530 (Distributor)  
Fax: (414) 781-1049

**Canada**

Tel: 1-800-426-4129 (End User)  
Tel: 1-800-426-2284 (Distributor)

**Latin America and Caribbean**

Tel: (414) 781-6600 ext. 263  
Fax: (414) 781-5561



**All Enerpac products are guaranteed against defects in workmanship and materials for as long as you own them. Under this guarantee, free repair or replacement will be made to your satisfaction.**

**For prompt service, contact your Authorized Enerpac Service Center or call toll free:**

**In U.S.A. 1-800-558-0530  
In Canada 1-800-426-2284**