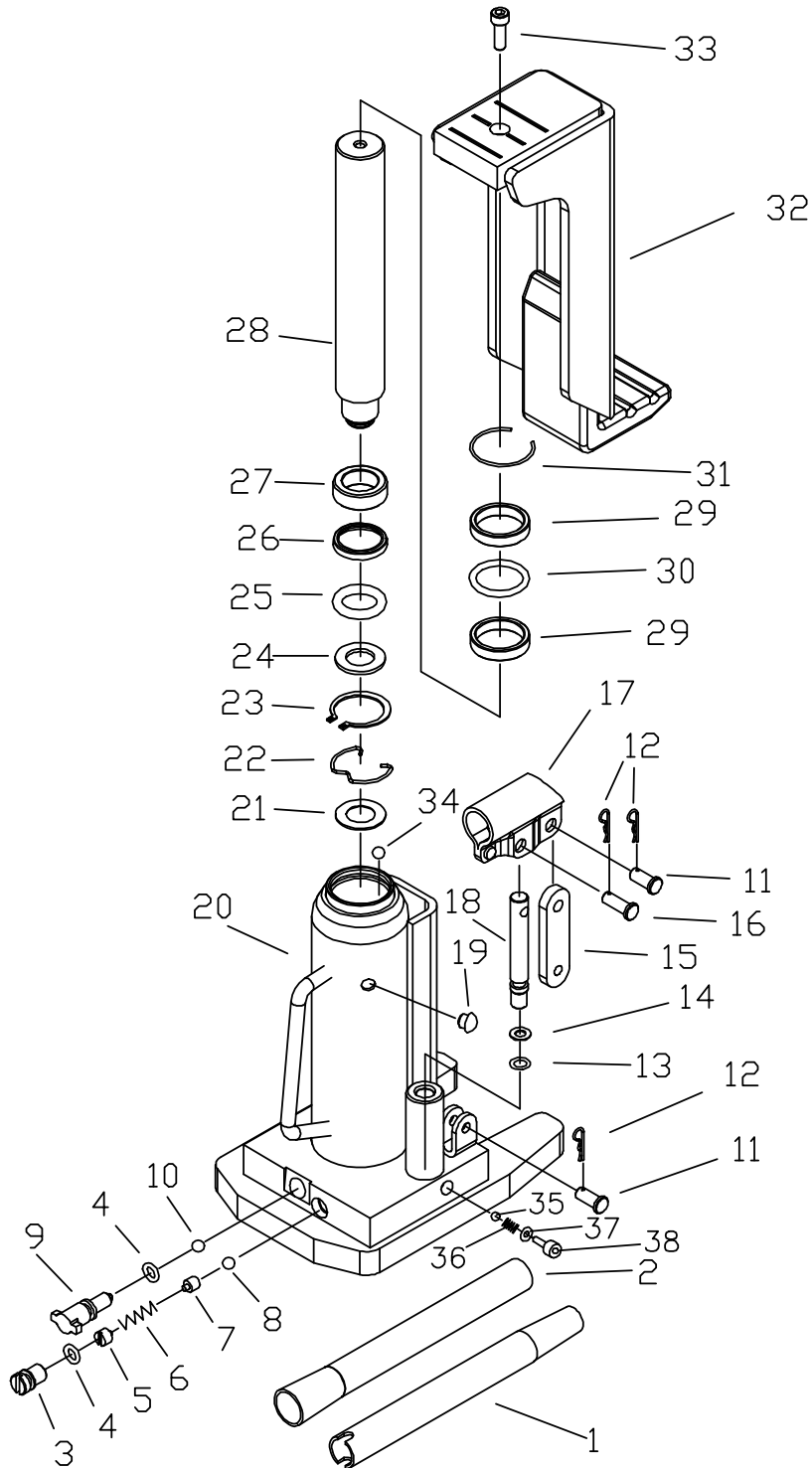




www.tksimplex.com

Technical Repair Parts Sheet Model TJH2A-TJH5A-TJH10A Heavy Duty Toe Jacks

Part Sheet Number	Revision Number	Date Code Range	Document Date
TD143	B	All	0915



To Maintain Your Warranty

Have your products inspected and repaired by an Authorized Simplex Service Center

Visit www.tksimplex.com to locate the nearest one or call 1-800-323-9114 US or outside US 1-630-590-6990



www.tksimplex.com

Technical Repair Parts Sheet Model TJH2A Heavy Duty Toe Jacks

Item #	Part #	Description	Qty
1	◇	Handle B	1
2	◇	Handle A	1
3	N/A	Bolt	1
4	* , ●	O-ring	2
5	N/A	Bolt	1
6	N/A	Spring	1
7	N/A	Sealing Washer	1
8	N/A	Steel Ball	1
9	●	Release Valve Rod	1
10	●	Steel Ball	1
11	●	Pin B	2
12	●	Pin	3
13	* , ●	O-ring	1
14	* , ●	Nylon Snap Ring	1
15	●	Link Rod	1
16	●	Pin A	1
17	●	Handle Socket	1
18	●	Cylinder Pump Plunger	1
19	*	Oil Filler Plug	1
20	N/A	Pump Unit	1
21	N/A	Washer	1
22	N/A	Snap Ring	1
23	N/A	Snap Ring	1
24	N/A	Snap Ring	1
25	*	O-ring	1
26	*	Nylon Snap Ring	1
27	N/A	Snap Ring	1
28	N/A	Piston Rod	1
29	N/A	Snap Ring	2
30	*	O-ring	1
31	N/A	Snap Ring	1
32	N/A	Hanger	1
33	N/A	Bolt	1
*	TJHAK2 - Seal Kit 2 Ton		
●	TJHAK1 - Pump/Release Valve Kit 2 Ton		
◇	TJHRH2 - Handle Kit 2 Ton		

To Maintain Your Warranty

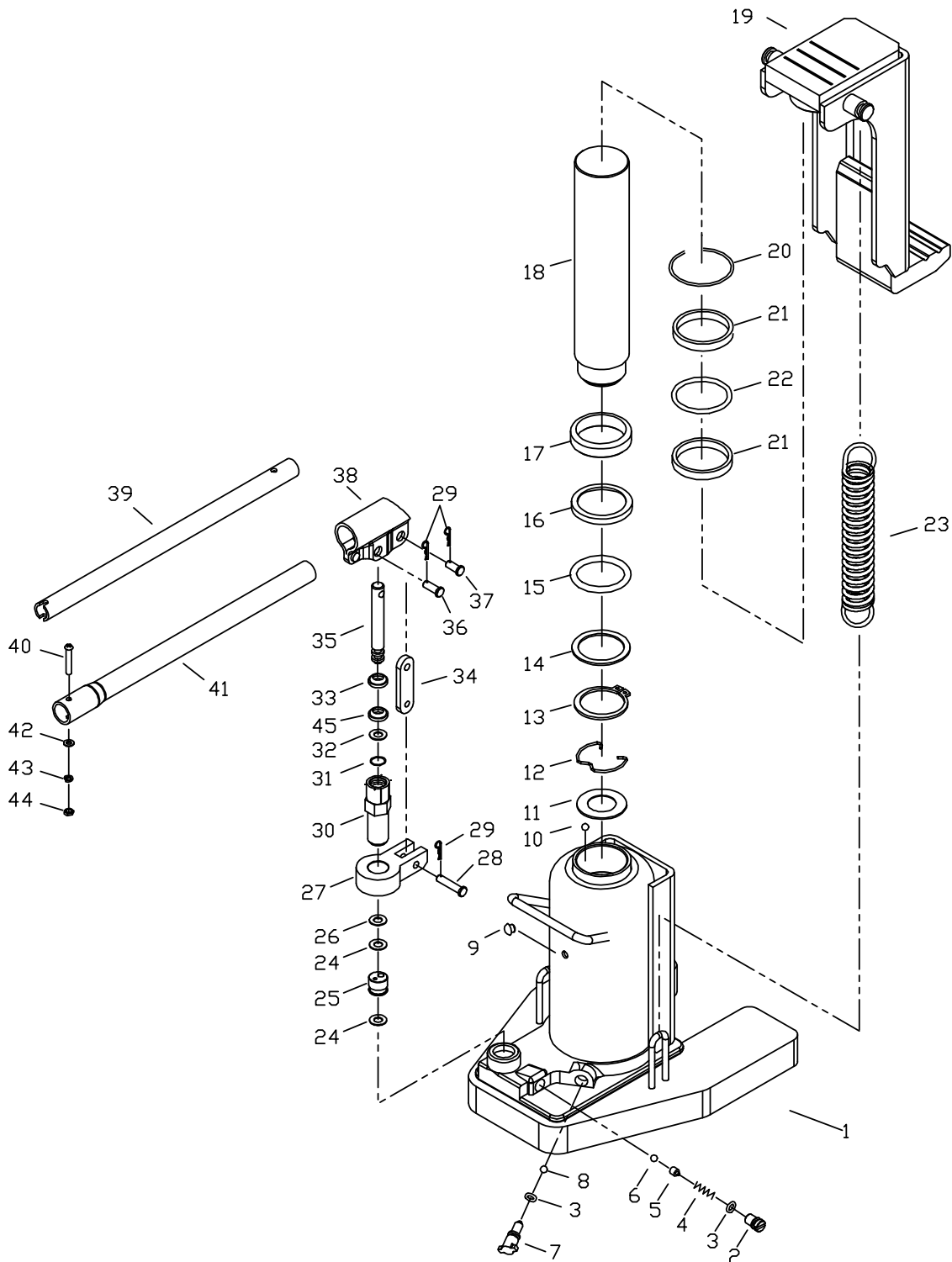
Have your products inspected and repaired by an Authorized Simplex Service Center

Visit www.tksimplex.com to locate the nearest one or call 1-800-323-9114 US or outside US 1-630-590-6990



www.tksimplex.com

Technical Repair Parts Sheet Model TJH5A Heavy Duty Toe Jacks



To Maintain Your Warranty

Have your products inspected and repaired by an Authorized Simplex Service Center

Visit www.tksimplex.com to locate the nearest one or call 1-800-323-9114 US or outside US 1-630-590-6990



www.tksimplex.com

Technical Repair Parts Sheet Model TJH5A Heavy Duty Toe Jacks

Item #	Part #	Description	Qty
1	N/A	Pump Unit	1
2	N/A	Bolt	1
3	* , ●	O-ring	2
4	N/A	Spring	1
5	N/A	Sealing Washer	1
6	N/A	Steel Ball	1
7	●	Release Valve Rod	1
8	●	Steel Ball	1
9	*	Oil Filler Plug	1
10	N/A	Steel Ball	2
11	N/A	Washer	1
12	N/A	Snap Ring	1
13	N/A	Snap Ring	1
14	N/A	Snap Ring	1
15	*	O-ring	1
16	*	Washer	1
17	N/A	Washer	1
18	N/A	Piston Rod	1
19	N/A	Hanger	1
20	N/A	Snap Ring	1
21	N/A	Snap Ring	1
22	*	O-ring	1
*	TJHAK5 - Seal Kit 5 Ton		
●	TJHAK51 - Pump/Release Valve Kit 5 Ton		
◇	TJHRH5 - Handle Kit 5 Ton		
S	TJHAS5 - Spring Kit 5 Ton		

Item #	Part #	Description	Qty
23	S	Spring	2
24	N/A	Copper Washer	2
25	N/A	Oil Valve	1
26	*	Nylon Snap Ring	1
27	N/A	Pump Base	1
28	●	Link Rod B	1
29	●	Pin	3
30	N/A	Pump Cylinder	1
31	* , ●	O-ring	1
32	* , ●	Nylon Snap Ring	1
33	* , ●	Dustproof Ring	1
34	●	Link Rod	1
35	●	Cylinder Pump Plunger	1
36	●	Pin	1
37	●	Link Rod Pin	1
38	●	Handle Socket	1
39	◇	Handle B	1
40	◇	Bolt	1
41	◇	Handle A	1
42	◇	Washer	1
43	◇	Lock Washer	1
44	◇	Bolt	1

To Maintain Your Warranty

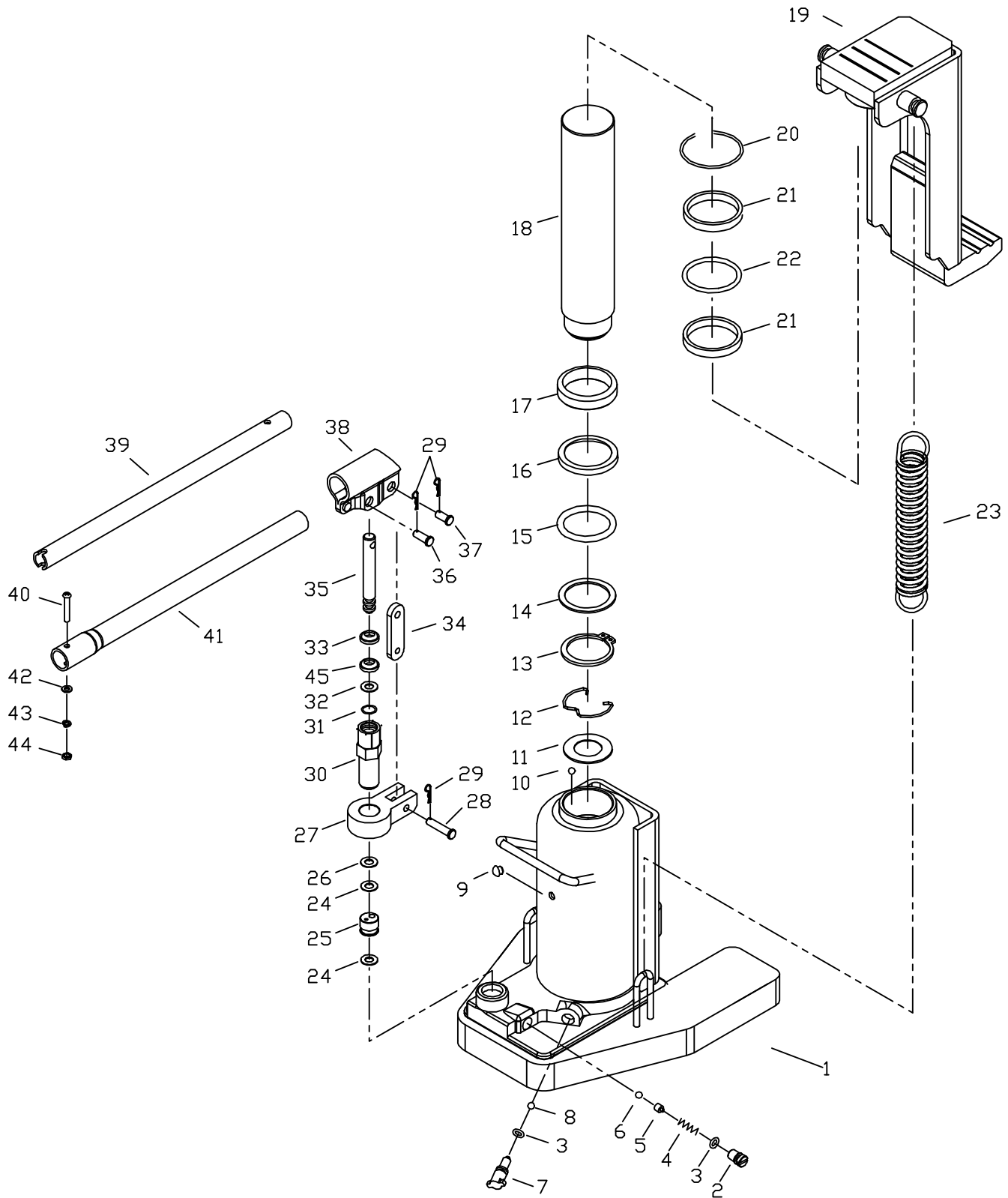
Have your products inspected and repaired by an Authorized Simplex Service Center

Visit www.tksimplex.com to locate the nearest one or call 1-800-323-9114 US or outside US 1-630-590-6990



www.tksimplex.com

Technical Repair Parts Sheet Model TJH10A Heavy Duty Toe Jacks



To Maintain Your Warranty

Have your products inspected and repaired by an Authorized Simplex Service Center

Visit www.tksimplex.com to locate the nearest one or call 1-800-323-9114 US or outside US 1-630-590-6990



www.tksimplex.com

Technical Repair Parts Sheet Model TJH10A Heavy Duty Toe Jacks

Item #	Part #	Description	Qty
1	N/A	Pump Unit	1
2	N/A	Bolt	1
3	* , ●	O-ring	2
4	N/A	Spring	1
5	N/A	Sealing Washer	1
6	N/A	Steel Ball	1
7	●	Release Valve Rod	1
8	●	Steel Ball	1
9	*	Oil Filler Plug	1
10	N/A	Steel Ball	2
11	N/A	Washer	1
12	N/A	Snap Ring	1
13	N/A	Snap Ring	1
14	N/A	Snap Ring	1
15	*	O-ring	1
16	*	Washer	1
17	N/A	Washer	1
18	N/A	Piston Rod	1
19	N/A	Hanger	1
20	N/A	Snap Ring	1
21	N/A	Snap Ring	1
22	*	O-ring	1
*	TJHAK10 - Seal Kit 10 Ton		
●	TJHAK101 - Pump/Release Valve Kit 10 Ton		
◇	TJHRH10 - Handle Kit 10 Ton		
S	TJHAS10 - Spring Kit 10 Ton		

Item #	Part #	Description	Qty
23	S	Spring	2
24	N/A	Copper Washer	2
25	N/A	Oil Valve	1
26	*	Nylon Snap Ring	1
27	N/A	Pump Base	1
28	●	Link Rod B	1
29	●	Pin	3
30	N/A	Pump Cylinder	1
31	* , ●	O-ring	1
32	* , ●	Nylon Snap Ring	1
33	* , ●	Dustproof Ring	1
34	●	Link Rod	1
35	●	Cylinder Pump Plunger	1
36	●	Pin	1
37	●	Link Rod Pin	1
38	●	Handle Socket	1
39	◇	Handle B	1
40	◇	Bolt	1
41	◇	Handle A	1
42	◇	Washer	1
43	◇	Lock Washer	1
44	◇	Bolt	1

To Maintain Your Warranty

Have your products inspected and repaired by an Authorized Simplex Service Center

Visit www.tksimplex.com to locate the nearest one or call 1-800-323-9114 US or outside US 1-630-590-6990