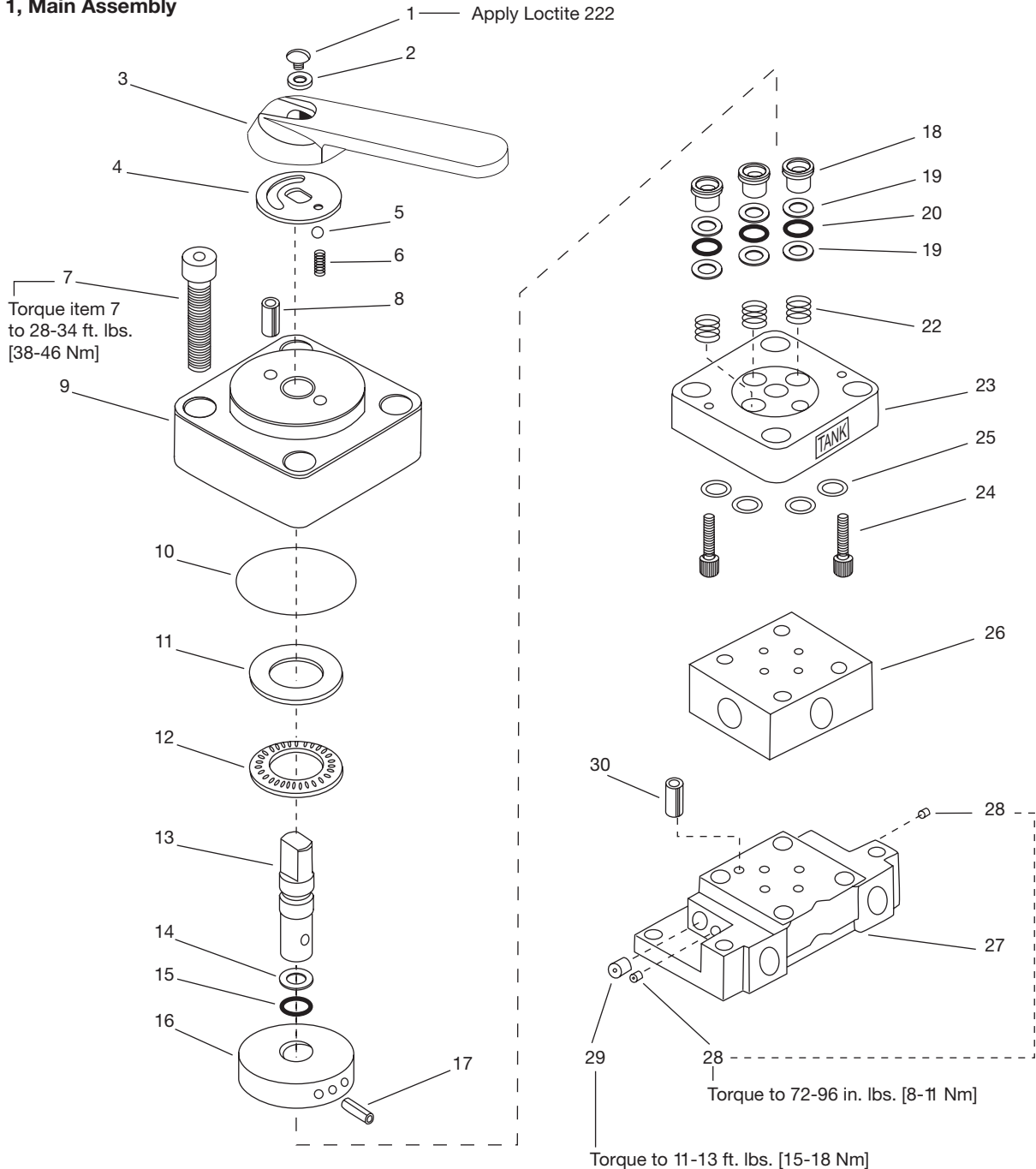


**To Protect Your Warranty, Use Only ENERPAC Hydraulic Oil.**

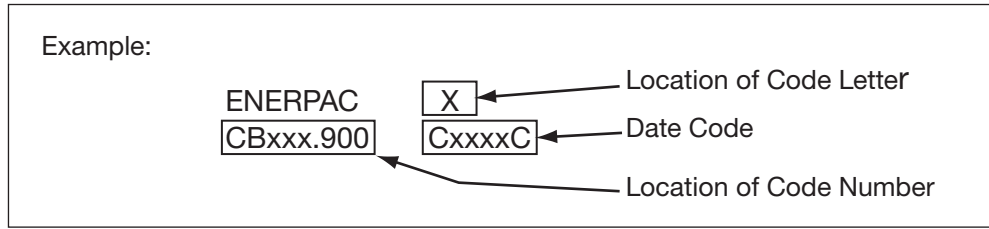
Enerpac recommends that all kit components be installed to insure optimum performance of the repaired product.

Figure 1, Main Assembly



### Identification - Early Production Manual Valves

Early production manual valves contain both a valve code letter and valve code number. This letter and number are used to identify the valve model. See Table A.

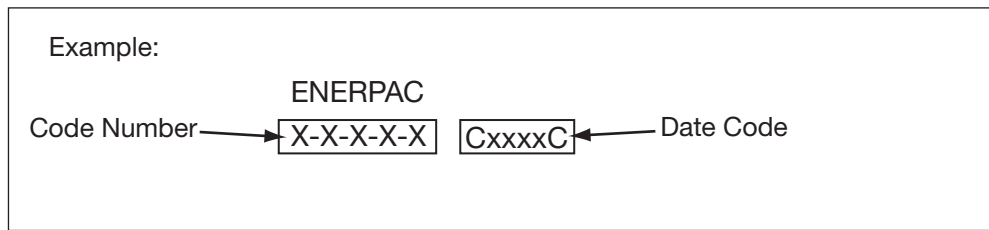


Model Number	Previous Valve Code		Equivalent Present Valve Code Number (see Table B)	Disc Assembly Fig. 1, Item 16	Model Number	Previous Valve Code		Equivalent Present Valve Code Number (see Table B)	Disc Assembly Fig. 1, Item 16
	Letter	Number				Letter	Number		
VM-4	A	CB317900	4-O-P-B-O	CH542950	VM-3	G	CB318900	3-O-P-B-O	CH538950
VC-4	B	CB317900	4-O-R-B-O	CH542950	VC-3	H	CB318900	3-O-R-B-O	CH538950
VM-4L	C	CB317900	4-O-P-B-X	CH542950	VC-20	I	CB319900	4-C-R-B-O	CH537950
VC-4L	D	CB317900	4-O-R-B-X	CH542950	VC-20L	J	CB319900	4-C-R-B-X	CH537950
VM-3L	E	CB317900	3-O-P-B-X	CH542950	VC-15L	K	CB319900	3-C-R-B-X	CH537950
VC-3L	F	CB317900	3-O-R-B-X	CH542950	VC-15	L	CB320900	3-C-R-B-O	CH541950

### Identification - Recent Production Manual Valves

Recent production manual valves contain an alphanumeric valve code number. This number is used to identify the valve model.

See Table B for valve code number information. Then refer to Table A to determine the valve model number and disc assembly.



1st Position		2nd Position		3rd Position		4th Position		5th Position	
3	3- Way Valve								
4	4-Way Valve								
		O	Open Center						
		C	Closed Center						
				P	Pump Mounted				
				R	Remote				
						B	Buna		
						V	Viton		
						E	EPA		
								X	Locking Valve Section
								O	No Locking Valve Section

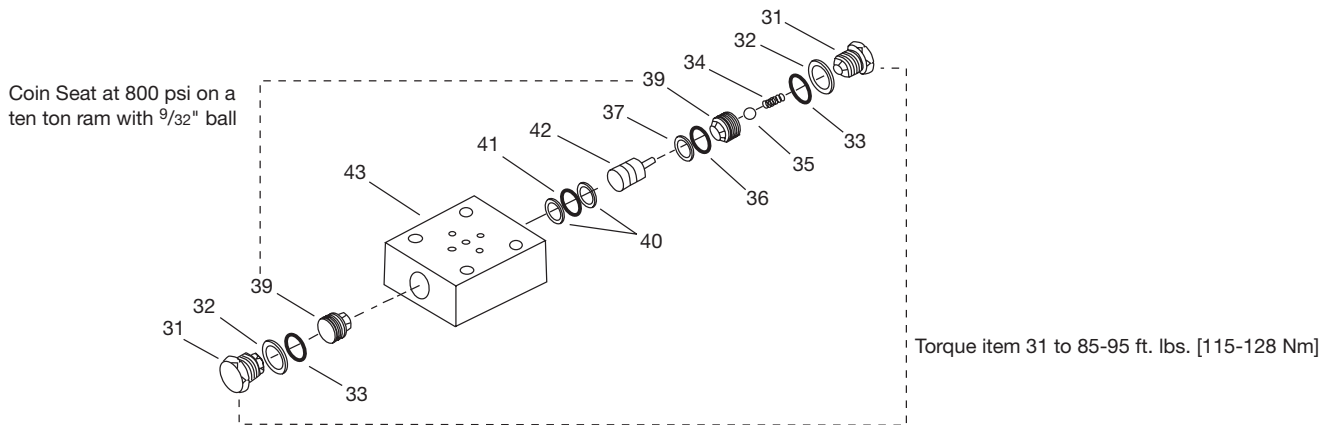
Note: Refer to Table 1 to determine valve model number based on code.

Repair Parts List for Figure 1							
Item	Part Number	Qty.	Description	Item	Part Number	Qty.	Description
1	★A8076048	1	Screw	16	CH537950SR	1	Disk Assembly (see chart on page 2)
2	★B1086108	1	Washer		CH541950SR	1	Disk Assembly (see chart on page 2)
3	Y325070	1	Handle	17		★B1109057	1
4	A8005071	1	Disk	18	※DA9560041SR	3	Metal Seal (incl. items 10, 19, 20, 22)
5	★B1006016	1	7/32" Ball	19	※★B1011564	6	Back-Up Washer
6	★A8039110	1	Spring	20	※★B1006503	3	O-Ring
7	B1389028	4	Bolt (for non-locking valve)	22	※★CB28110	3	Spring
	B1401028	4	Bolt (for locking valve)	23	CH539190	1	Body
8	★B1126057	1	Roll Pin	24	B1326028	2	Bolt
9	CB324001	1	Valve Cap	25	B1111803	4	O-Ring (non-locking valve)
10	※★B1269503	1	O-Ring		★B1111803	8	O-ring (for locking valve)
11	CB327101	1	Bearing Plate	26	CB325005	1	Base (Remote mounted)
12	CB328281	1	Bearing	27	CB303038	1	Base (Pump mounted)
13	CH536104	1	Shaft	28	A1006245	2	Pipe Plug
14	★B1012564	1	Back-up Washer	29	A1007245	1	Pipe Plug
15	★B1007503	1	O-Ring	30	B1051057	1	Pin
16	CH542950SR	1	Disk Assembly (see chart on page 2)	31	★F786167	1	Gasket (not shown)
	CH538950SR	1	Disk Assembly (see chart on page 2)				

★ Items included in and available only as part of Repair Kit VM4K3.

※ Items included in and available only as part of Repair Kit DA9560041SR.

**Figure 2, 3-Way Locking Block Assembly**



**Note:** Use with valve codes starting with 3O and 3C and ending with "X"

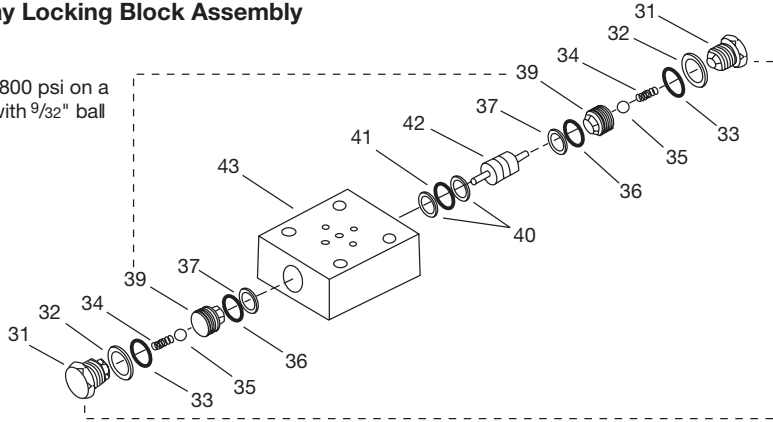
Repair Parts List for Figure 2							
Item	Part Number	Qty.	Description	Item	Part Number	Qty.	Description
31	+★ CR356013SR	2	Spring Guide (Incl #32, 33)	37	+★ B1113564	1	Washer
32	+★ CR355167	2	Gasket	39	+ Y126290SR	2	Seat (Incl. #36, 37)
33	+★ B1116803	2	O-Ring	40	+★ B1111564	2	Back-Up Washer
34	+★ CJ656110	1	Spring	41	+★ B1009503	1	O-Ring
35	+★ B1008016	1	9/32" Ball	42	+ CK598900SR	1	Piston
36	+★ B1011503	1	O-Ring	43	+ DA1267900SR	1	Valve Body

★ Items included in and available only as part of Repair Kit VM4K3.

+ Items included in and available only as part of 3-Way Locking Block Service Kit Y383900SR.

**Figure 3, 4-Way Locking Block Assembly**

Coin Seat at 800 psi on a ten ton ram with 9/32" ball



Torque item 31 to 85-95 ft. lbs. [115-128 Nm]

**Note:** Use with valve codes starting with 4O and 4C and ending with "X"

**Repair Parts List for Figure 2**

Item	Part Number	Qty.	Description	Item	Part Number	Qty.	Description
31	**CR356013	2	Spring Guide	37	** B1113564	2	Washer
32	**CR355167	2	Gasket	39	* Y126290SR	2	Seat (Incl. #36, 37)
33	**B1116803	2	O-Ring	40	** B1111564	2	Back-Up Washer
34	**CJ656110	2	Spring	41	** B1009503	1	O-Ring
35	**B1008016	2	9/32" Ball	42	* Y128900W	1	Piston
36	**B1011503	2	O-Ring	43	* DA1268900SR	1	Valve Body

★ Items included in and available only as part of Repair Kit VM4K3.

\* Items included in and available only as part of 4-Way Locking Block Service Kit Y123900SR.

# NOTES:

A large rectangular box with a black border, containing 20 horizontal lines for writing notes.

# NOTES:

A large rectangular box with a thin black border, containing 20 horizontal lines for writing notes. The lines are evenly spaced and extend across the width of the box. The top line is positioned just below the 'NOTES:' header, and the bottom line is just above the bottom border of the box.



## **Enerpac Worldwide Locations**

◆ **e-mail:** [info@enerpac.com](mailto:info@enerpac.com)

◆ **internet:** [www.enerpac.com](http://www.enerpac.com)

### **Australia and New Zealand**

Actuant Australia Ltd.  
Block V Unit 3  
Regents Park Estate  
391 Park Road  
Regents Park NSW 2143  
(P.O. Box 261) Australia  
T +61 (0)2 9743 8988  
F +61 (0)2 9743 8648  
[sales-au@enerpac.com](mailto:sales-au@enerpac.com)

### **Brazil**

Power Packer do Brasil Ltda.  
Rua Luiz Lawrie Reid, 548  
09930-760 - Diadema (SP)  
T +55 11 5687 2211  
F +55 11 5686 5583  
Toll Free: 0800 891 5770  
[vendasbrasil@enerpac.com](mailto:vendasbrasil@enerpac.com)

### **Canada**

Actuant Canada Corporation  
6615 Ordan Drive, Unit 14-15  
Mississauga, Ontario L5T 1X2  
T +1 905 564 5749  
F +1 905 564 0305  
Toll Free:

T +1 800 268 4987  
F +1 800 461 2456  
[customer.service@actuant.com](mailto:customer.service@actuant.com)

### **China**

Actuant (China) Industries Co. Ltd.  
No. 6 Nanjing East Road,  
Taicang Economic Dep Zone  
Jiangsu, China  
T +86 0512 5328 7500  
F +86 0512 5335 9690  
Toll Free: +86 400 885 0369  
[sales-cn@enerpac.com](mailto:sales-cn@enerpac.com)

### **France, Switzerland, North Africa and French speaking African countries**

ENERPAC  
Une division d'ACTUANT France S.A.  
ZA de Courtaboeuf  
32, avenue de la Baltique  
91140 VILLEBON /YVETTE  
France  
T +33 1 60 13 68 68  
F +33 1 69 20 37 50  
[sales-fr@enerpac.com](mailto:sales-fr@enerpac.com)

### **Germany and Austria**

ENERPAC GmbH  
P.O. Box 300113  
D-40401 Düsseldorf  
Willstätterstrasse 13  
D-40549 Düsseldorf, Germany  
T +49 211 471 490  
F +49 211 471 49 28  
[sales-de@enerpac.com](mailto:sales-de@enerpac.com)

### **India**

ENERPAC Hydraulics Pvt. Ltd.  
No. 1A, Peenya Industrial Area  
IInd Phase, Bangalore, 560 058, India  
T +91 80 40 792 777  
F +91 80 40 792 792  
[sales-in@enerpac.com](mailto:sales-in@enerpac.com)

### **Italy**

ENERPAC S.p.A.  
Via Canova 4  
20094 Corsico (Milano)  
T +39 02 4861 111  
F +39 02 4860 1288  
[sales-it@enerpac.com](mailto:sales-it@enerpac.com)

### **Japan**

Applied Power Japan LTD KK  
Besshocho 85-7  
Kita-ku, Saitama-shi 331-0821, Japan  
T +81 48 662 4911  
F +81 48 662 4955  
[sales-jp@enerpac.com](mailto:sales-jp@enerpac.com)

### **Middle East, Egypt and Libya**

ENERPAC Middle East FZE  
Office 423, LOB 15  
P.O. Box 18004, Jebel Ali, Dubai  
United Arab Emirates  
T +971 (0)4 8872686  
F +971 (0)4 8872687  
[sales-ua@enerpac.com](mailto:sales-ua@enerpac.com)

### **Russia**

Rep. office Enerpac  
Russian Federation  
Admiral Makarova Street 8  
125212 Moscow, Russia  
T +7 495 98090 91  
F +7 495 98090 92  
[sales-ru@enerpac.com](mailto:sales-ru@enerpac.com)

### **Southeast Asia, Hong Kong and Taiwan**

Actuant Asia Pte Ltd.  
83 Joo Koon Circle  
Singapore 629109  
T +65 68 63 0611  
F +65 64 84 5669 7722  
Toll Free: +1800 363  
[sales-sg@enerpac.com](mailto:sales-sg@enerpac.com)

### **South Korea**

Actuant Korea Ltd.  
3Ba 717, Shihwa Industrial Complex  
Jungwang-Dong, Shihung-Shi,  
Kyunggi-Do  
Republic of Korea 429-450  
T +82 31 434 4506  
F +82 31 434 4507  
[sales-kr@enerpac.com](mailto:sales-kr@enerpac.com)

### **Spain and Portugal**

ENERPAC SPAIN, S.L.  
Avda. Los Frailes, 40 – Nave C & D  
Pol. Ind. Los Frailes  
28814 Daganzo de Arriba  
(Madrid) Spain  
T +34 91 884 86 06  
F +34 91 884 86 11  
[sales-es@enerpac.com](mailto:sales-es@enerpac.com)

### **Sweden, Denmark, Norway, Finland and Iceland**

Enerpac Scandinavia AB  
Fabriksgatan 7  
412 50 Gothenburg  
Sweden  
T +46 (0) 31 799 0281  
F +46 (0) 31 799 0010  
[scandinavianinquiries@enerpac.com](mailto:scandinavianinquiries@enerpac.com)

### **The Netherlands, Belgium, Luxembourg, Central and Eastern Europe, Baltic States, Greece, Turkey and CIS countries**

ENERPAC B.V.  
Galvanistraat 115  
6716 AE Ede  
P.O. Box 8097  
6710 AB Ede  
The Netherlands  
T +31 318 535 911  
F +31 318 535 848  
[sales-nl@enerpac.com](mailto:sales-nl@enerpac.com)

### **Enerpac Integrated Solutions B.V.**

Opaalstraat 44  
7554 TS Hengelo  
P.O. Box 421  
7550 AK Hengelo  
The Netherlands  
T +31 74 242 20 45  
F +31 74 243 03 38  
[integratedsolutions@enerpac.com](mailto:integratedsolutions@enerpac.com)

### **South Africa and other English speaking African countries**

Enerpac Africa Pty Ltd.  
No. 5 Bauhinia Avenue  
Cambridge Office Park  
Block E  
Highveld Techno Park  
Centurion 0157  
South Africa  
T: +27 12 940 0656

### **United Kingdom and Ireland**

ENERPAC Ltd.,  
Bentley Road South  
Darlaston, West Midlands  
WS10 8LQ  
England  
T +44 (0)121 50 50 787  
F +44 (0)121 50 50 799  
[sales-uk@enerpac.com](mailto:sales-uk@enerpac.com)

### **USA, Latin America and Caribbean**

ENERPAC  
P.O. Box 3241  
Milwaukee WI 53201 USA  
T +1 262 293 1600  
F +1 262 293 7036  
User inquiries:  
T +1 800 433 2766  
Distributor inquiries/orders:  
T +1 800 558 0530  
F +1 800 628 0490  
Technical inquiries:  
[techservices@enerpac.com](mailto:techservices@enerpac.com)  
[sales-us@enerpac.com](mailto:sales-us@enerpac.com)

All Enerpac products are guaranteed against defects in workmanship and materials for as long as you own them.

For the location of your nearest authorized Enerpac Service Center, visit us at [www.enerpac.com](http://www.enerpac.com)

012313