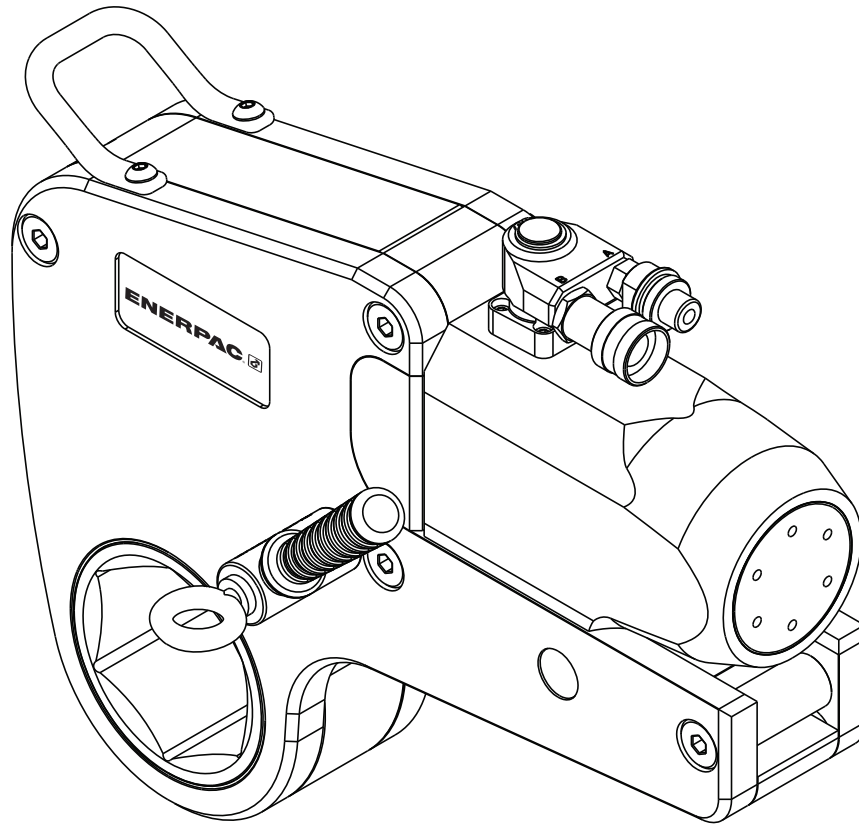


L4134 Rev. B 03/20

- For drive unit model numbers ending in "X" or "PX".
- For cassette model numbers ending in "X".

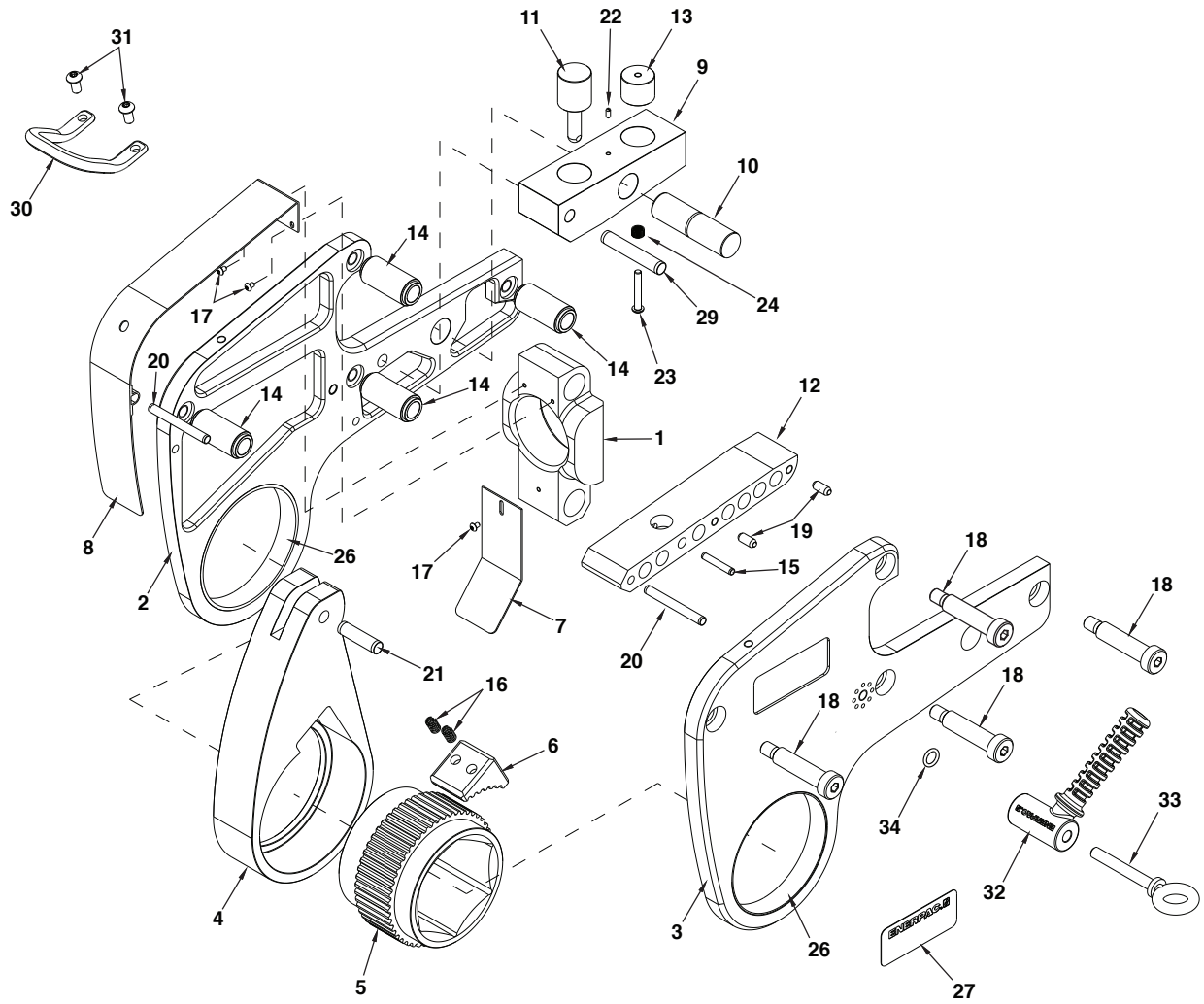
To Protect Your Warranty, Use Only ENERPAC Hydraulic Oil.

Enerpac recommends that all kit components be installed to insure optimum performance of the repaired product.



Contents:

| | Pages |
|---|--------------|
| Figure 1, Cassette Assembly | 2-3 |
| Figure 2, Ratchet Assembly and Sideplates | 4-5 |
| Figure 3, Drive Unit and Swivel Assembly | 6-7 |
| Table 4, Carrying Cases | 8 |



Note: See page 3 for parts kits.

Figure 1, Cassette Assembly, W3500X Series

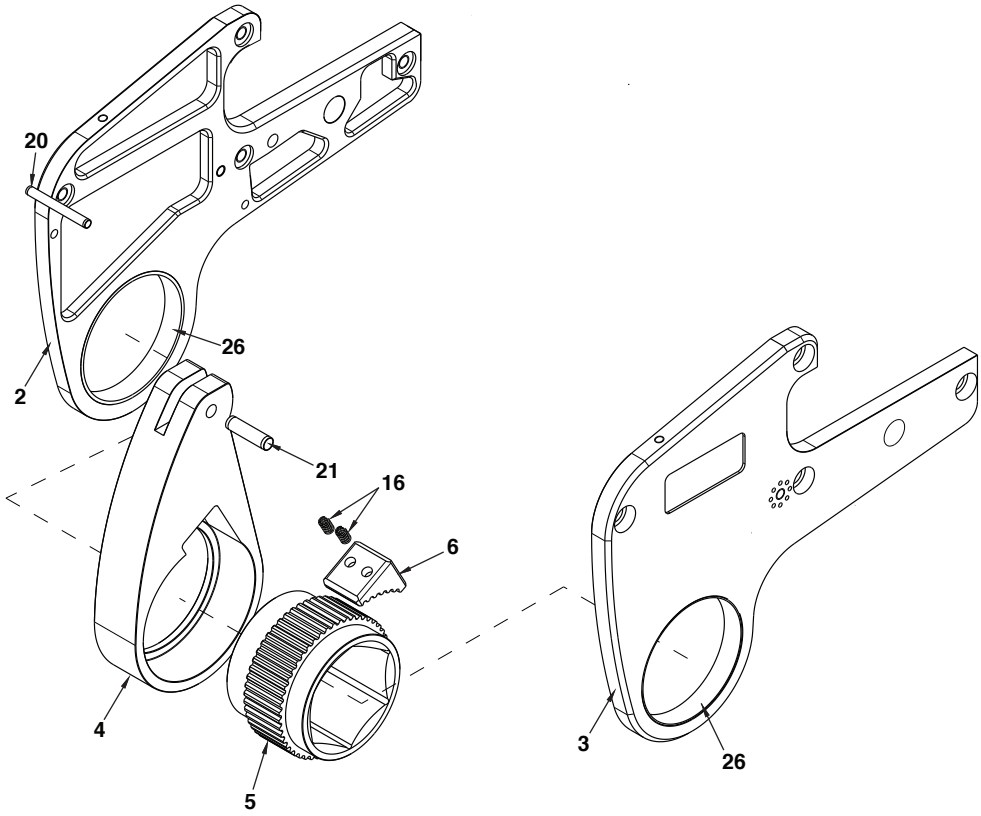
Repair Parts List for Figure 1

| Item | Part Number | Qty. | Parts Kits | | | | | | | | Available as individual item. | Description |
|------|-----------------|------|---|---|-------------------------------|---------------------------------------|----------------------------|------------------------------------|--------------------------|----------------------------------|-------------------------------|------------------------------------|
| | | | Sideplate and Bushing Kit (see Figure 2) | Ratchet Lever and Pin Kit (see Figure 2) | Ratchet Kit (see Figure 2) | Head Guard / Spacer Kit W35000HGSK | Safe Link Kit W35000SLK | Cassette Hardware Kit W35000CHK | Top Handle Kit W35000THK | Large Side Handle Kit SWH10EA | | |
| 1 | (Not Available) | 1 | | | | | | | | | | Cylinder Locating Plate |
| 2 | (see Figure 2) | 1 | • | | | | | | | | | RH Sideplate |
| 3 | (see Figure 2) | 1 | • | | | | | | | | | LH Sideplate |
| 4 | (See Figure 2) | 1 | | • | | | | | | | | Ratchet Lever |
| 5 | (See Figure 2) | 1 | | | • | | | | | | * | Ratchet |
| 6 | (See Figure 2) | 1 | | | • | | | | | | | Drive Shoe |
| 7 | 35000117 | 1 | | | | • | | | | | | Guard, Rear |
| 8 | 35000116 | 1 | | | | • | | | | | | Guard, Front |
| 9 | (Not Available) | 1 | | | | | | | | | | Pin Retainer |
| 10 | 35000110 | 1 | | | | | • | | | | | Spacer Retaining Pin |
| 11 | 35000109 | 1 | | | | | • | | | | | Cylinder Retaining Pin |
| 12 | 35000114 | 1 | | | | | | | | | * | Reaction Foot |
| 13 | 35000115 | 1 | | | | | • | | | | | Fail Safe Pin |
| 14 | 35000113 | 4 | | | | • | | | | | | Sideplate Spacer |
| 15 | E4838K | 1 | | | | | • | • | | | * | Pin, Spirol (packet of 5) |
| 16 | E3106K | 2 | | | • | | | • | | | * | Spring, Compression (packet of 10) |
| 17 | CBA411028-1E | 3 | | | | • | | • | | | | Screw, Button Head |
| 18 | E4837 | 4 | | | | • | | • | | | | Screw, Shoulder, Modified |
| 19 | E4584 | 2 | | | | | • | • | | | | Spring, Plunger |
| 20 | E4834K | 2 | | | | • | | • | | | * | Pin, Spirol Spring (packet of 10) |
| 21 | E4836K | 1 | | • | | | | • | | | * | Pin, Spirol Spring (packet of 5) |
| 22 | E4728 | 1 | | | | | | • | | | | Ball Detent |
| 23 | E4612 | 1 | | | | | • | • | | | | Screw, Button Head |
| 24 | E3087 | 1 | | | | | • | | | | | Spring, Compression |
| 26 | (See Figure 2) | 2 | • | | | | | | | | * | Sideplate Bushing |
| 27 | 35000129 | 1 | | | | | | • | | | | Nameplate, Enerpac |
| 29 | E4835 | 1 | | | | | | • | | | | Pin, Spirol Spring |
| 30 | 35000128 | 1 | | | | | | | • | | | Handle, Top |
| 31 | CBA8190201E | 2 | | | | | | | • | | | Screw, Button Head |
| 32 | DM0340070 | 1 | | | | | | | | • | | Handle, Side (large) |
| 33 | DM0219070 | 1 | | | | | | | | • | | Eyebolt, M10 Long Shank |
| 34 | E2393 | 1 | | | | | | | | • | | O-Ring |

Notes:

- Enerpac recommends that all kit components be installed to assure optimum performance of the repaired product.
- Items 15, 16, 20 and 21: Packet quantity is provided only when item is ordered separately (not as part of a kit).

Note: This view contains ratchet and sideplate parts only. See Figure 1 for complete exploded view of all cassette parts.



Note: See page 5 for parts kits.

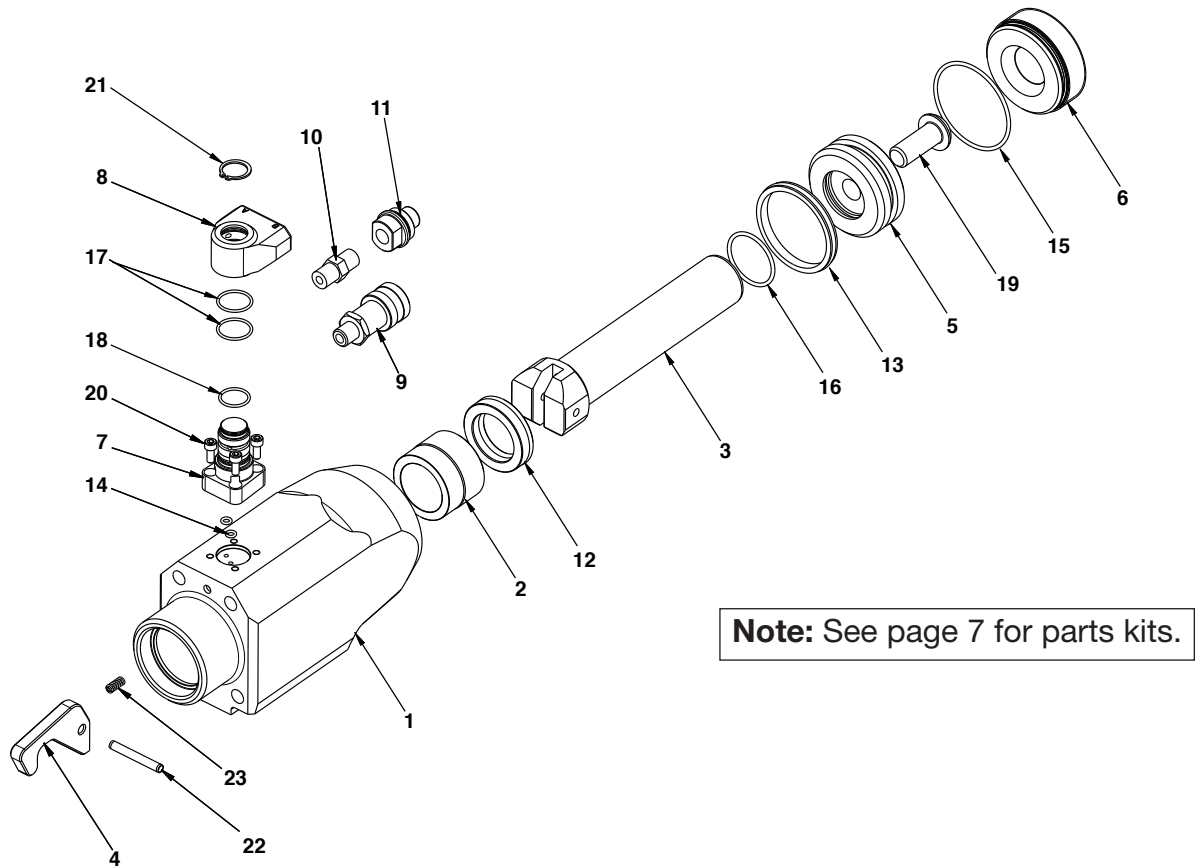
Figure 2, Ratchet Assembly and Sideplates, W35000X Series

Ratchet and Sideplate Kits for W3500X Series Cassettes - Refer to Figure 2

| Cassette Model | Size | | Part Numbers | | | | | |
|----------------|----------|--------|------------------------------------|--|--|---|---|---|
| | Inch | Metric | Ratchet Only (Figure 2, item 5) | Drive Shoe Kit (Figure 2, items 6 and 16) | Ratchet Kit (Figure 2, items 5, 6 & 16) | Ratchet Lever and Pin Kit (Figure 2, items 4 & 21) | LH and RH Sideplates With Bushings (Figure 2, items 2, 3 & 26) | Sideplate Bushings (Figure 2, item 26) |
| W35302X | 3-1/8" | 80 | 35000121302 | W35308DSK | W35302RK | 35000120308A | W35000175308A | 35000125308 |
| W35303X | 3-3/16" | 81 | 35000121303 | W35308DSK | W35303RK | 35000120308A | W35000175308A | 35000125308 |
| W35304X | 3-1/4" | 83 | 35000121304 | W35308DSK | W35304RK | 35000120308A | W35000175308A | 35000125308 |
| W35305X | 3-5/16" | 84 | 35000121305 | W35308DSK | W35305RK | 35000120308A | W35000175308A | 35000125308 |
| W35085MX | - - - | 85 | 35000121085M | W35308DSK | W35085MRK | 35000120308A | W35000175308A | 35000125308 |
| W35306X | 3-3/8" | 86 | 35000121306 | W35308DSK | W35306RK | 35000120308A | W35000175308A | 35000125308 |
| W35307IX | 3-7/16" | - - - | 35000121307 | W35308DSK | W35307IRK | 35000120308A | W35000175308A | 35000125308 |
| W35308X | 3-1/2" | 89 | 35000121308 | W35308DSK | W35308RK | 35000120308A | W35000175308A | 35000125308 |
| W35090MX | - - - | 90 | 35000121090M | W35314DSK | W35090MRK | 35000120314A | W35000175314A | 35000125314 |
| W35309X | 3-9/16" | 91 | 35000121309 | W35314DSK | W35309RK | 35000120314A | W35000175314A | 35000125314 |
| W35310X | 3-5/8" | 92 | 35000121310 | W35314DSK | W35310RK | 35000120314A | W35000175314A | 35000125314 |
| W35311X | 3-11/16" | 94 | 35000121311 | W35314DSK | W35311RK | 35000120314A | W35000175314A | 35000125314 |
| W35312X | 3-3/4" | 95 | 35000121312 | W35314DSK | W35312RK | 35000120314A | W35000175314A | 35000125314 |
| W35313X | 3-13/16" | 97 | 35000121313 | W35314DSK | W35313RK | 35000120314A | W35000175314A | 35000125314 |
| W35314X | 3-7/8" | 99 | 35000121314 | W35314DSK | W35314RK | 35000120314A | W35000175314A | 35000125314 |
| W35315X | 3-15/16" | 100 | 35000121315 | W35404DSK | W35315RK | 35000120404A | W35000175404A | 35000125404 |
| W35400X | 4" | 102 | 35000121400 | W35404DSK | W35400RK | 35000120404A | W35000175404A | 35000125404 |
| W35401IX | 4-1/16" | - - - | 35000121401 | W35404DSK | W35401IRK | 35000120404A | W35000175404A | 35000125404 |
| W35402X | 4-1/8" | 105 | 35000121402 | W35404DSK | W35402RK | 35000120404A | W35000175404A | 35000125404 |
| W35403IX | 4-3/16" | - - - | 35000121403 | W35404DSK | W35403IRK | 35000120404A | W35000175404A | 35000125404 |
| W35404X | 4-1/4" | 108 | 35000121404 | W35404DSK | W35404RK | 35000120404A | W35000175404A | 35000125404 |
| W35405X | 4-5/16" | 110 | 35000121405 | W35410DSK | W35405RK | 35000120410A | W35000175410A | 35000125410 |
| W35406X | 4-3/8" | 111 | 35000121406 | W35410DSK | W35406RK | 35000120410A | W35000175410A | 35000125410 |
| W35407X | 4-7/16" | 113 | 35000121407 | W35410DSK | W35407RK | 35000120410A | W35000175410A | 35000125410 |
| W35408IX | 4-1/2" | - - - | 35000121408 | W35410DSK | W35408IRK | 35000120410A | W35000175410A | 35000125410 |
| W35115MX | - - - | 115 | 35000121115M | W35410DSK | W35115MRK | 35000120410A | W35000175410A | 35000125410 |
| W35409IX | 4-9/16" | - - - | 35000121409 | W35410DSK | W35409IRK | 35000120410A | W35000175410A | 35000125410 |
| W35410IX | 4-5/8" | - - - | 35000121410 | W35410DSK | W35410IRK | 35000120410A | W35000175410A | 35000125410 |
| W35412X | 4-3/4" | 120 | 35000121412 | W35500DSK | W35412RK | 35000120500A | W35000175500A | 35000125500 |
| W35123MX | - - - | 123 | 35000121123M | W35500DSK | W35123MRK | 35000120500A | W35000175500A | 35000125500 |
| W35414X | 4-7/8" | 124 | 35000121414 | W35500DSK | W35414RK | 35000120500A | W35000175500A | 35000125500 |
| W35500X | 5" | 127 | 35000121500 | W35500DSK | W35500RK | 35000120500A | W35000175500A | 35000125500 |
| W35502X | 5-1/8" | 130 | 35000121502 | W35506DSK | W35502RK | 35000120506A | W35000175506A | 35000125506 |
| W35503IX | 5-3/16" | - - - | 35000121503 | W35506DSK | W35503IRK | 35000120506A | W35000175506A | 35000125506 |
| W35504IX | 5-1/4" | - - - | 35000121504 | W35506DSK | W35504IRK | 35000120506A | W35000175506A | 35000125506 |
| W35506X | 5-3/8" | 135 | 35000121506 | W35506DSK | W35506RK | 35000120506A | W35000175506A | 35000125506 |
| W35508X | 5-1/2" | 140 | 35000121508 | W35512DSK | W35508RK | 35000120512A | W35000175512A | 35000125512 |
| W35509X | 5-9/16" | 141 | 35000121509 | W35512DSK | W35509RK | 35000120512A | W35000175512A | 35000125512 |
| W35510X | 5-5/8" | 143 | 35000121510 | W35512DSK | W35510RK | 35000120512A | W35000175512A | 35000125512 |
| W35512X | 5-3/4" | 145 | 35000121512 | W35512DSK | W35512RK | 35000120512A | W35000175512A | 35000125512 |
| W35514X | 5-7/8" | 150 | 35000121514 | W35602DSK | W35514RK | 35000120602A | W35000175602A | 35000125602 |
| W35151MX | - - - | 151 | 35000121151M | W35602DSK | W35151MRK | 35000120602A | W35000175602A | 35000125602 |
| W35600X | 6" | 153 | 35000121600 | W35602DSK | W35600RK | 35000120602A | W35000175602A | 35000125602 |
| W35602X | 6-1/8" | 155 | 35000121602 | W35602DSK | W35602RK | 35000120602A | W35000175602A | 35000125602 |

Notes:

- Enerpac recommends that all kit and subassembly components be installed to assure optimum performance of the repaired product.
- Item 6 is available only as part of the Ratchet Kit (not sold separately).



Note: See page 7 for parts kits.

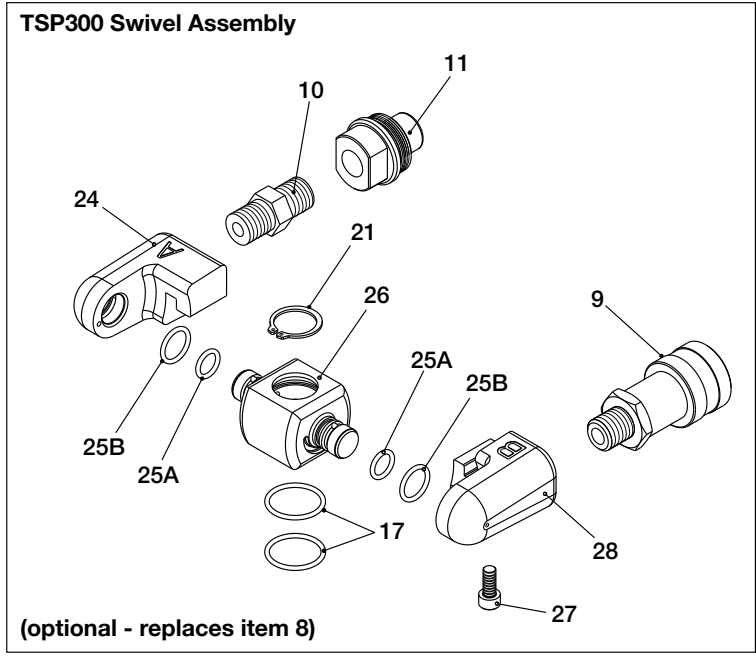


Figure 3, Drive Unit and Swivel Assembly, W3500X Series

Repair Parts List for Figure 3

| Item | Part Number | Qty. | | Parts Kits | | | | | | (*) Item available separately OR in kit | Description | |
|------|-----------------|---------|----------|-------------------------------------|-------------------------------|---|----------------------------------|---|---|---|-------------|---|
| | | W35000X | W35000PX | Drive Unit Rebuild Kit W35000DRK | Retract Link Kit W35000RLK | Standard Swivel Kit with Post SP300MKC | Drive Unit Seal Kit W35000XSK | Swivel Manifold Seal Kit TSP300MSK (For TSP300 Swivel) | Swivel and Manifold Kit TSP300 (For TSP300 Swivel) | | | Swivel Post and Manifold Kit TSP300MKC (For TSP300 Swivel) |
| 1 | (Not Available) | 1 | 1 | | | | | | | | | Cylinder Body |
| 2 | 35000106 | 1 | 1 | • | | | | | | | | Cylinder Bushing |
| 3 | 35000104 | 1 | 1 | • | | | | | | | | Piston Rod |
| 4 | 35000105 | 1 | 1 | | • | | | | | | | Retract Link |
| 5 | 35000103 | 1 | 1 | • | | | | | | | | Piston |
| 6 | 35000102 | 1 | 1 | • | | | | | | | | Cylinder Gland |
| 7 | W35000226 | 1 | 1 | | | • | | | | • | * | Swivel Manifold Post (large) |
| 8 | SP300101 | 1 | --- | | | • | | | | | * | Swivel Manifold Block (non-tilt) |
| 9 | TR630 | 1 | 1 | | | • | | | • | • | * | Coupling, 10,000 PSI Screw-On |
| 10 | FZ1608 | 1 | 1 | | | • | | | • | • | * | Adaptor, Hex 10,000 PSI |
| 11 | TH630 | 1 | 1 | | | • | | | • | • | * | Nipple, 10,000 PSI Screw-On |
| 12 | E2383 | 1 | 1 | | | | • | | | | | Seal, Rod |
| 13 | E2381 | 1 | 1 | | | | • | | | | | Seal, T-Piston w/Back Up Rings |
| 14 | E2304K | 2 | 2 | | | • | • | • | • | • | * | O-Ring (packet of 10) |
| 15 | E2382 | 1 | 1 | | | | • | | | | | O-Ring |
| 16 | E2279 | 1 | 1 | | | | • | | | | | O-Ring |
| 17 | E2240 | 2 | 2 | | | • | • | • | • | • | | O-Ring |
| 18 | E2238 | 1 | 1 | | | • | • | • | • | • | | O-Ring |
| 19 | E4606 | 1 | 1 | • | | | | | | | | Screw, Button Head |
| 20 | E4506 | 4 | 4 | | | • | | | | • | | Swivel Manifold Retaining Bolt |
| 21 | E4856 | 1 | 1 | | | • | • | • | • | • | | Retainer Ring, Circlip |
| 22 | E4838 | 1 | 1 | | • | | | | | | | Pin, Spirol Spring |
| 23 | E3107K | 1 | 1 | | • | | | | | | * | Spring, Compression (packet of 5) |
| 24 | TSP300101 | --- | 1 | | | | | | • | • | | Swivel Arm, Pressure A |
| 25A | E2235 | --- | 2 | | | | • | • | • | • | | O-Ring, Double Swivel (small) |
| 25B | E2173 | --- | 2 | | | | • | • | • | • | | O-Ring, Double Swivel (large) |
| 26 | TSP300103 | --- | 1 | | | | | | • | • | | Manifold Block, Double Swivel |
| 27 | E4650 | --- | 1 | | | | • | • | • | • | | Capscrew, Swivel Arm |
| 28 | TSP300102 | --- | 1 | | | | | | • | • | | Swivel Arm, Return B |

Notes: • Enerpac recommends that all kit components be installed to assure optimum performance of the repaired product.
 • Items 14 and 23: Packet quantity is provided only when item is ordered separately (not as part of a kit).

| Repair Parts Table 4 for Hydraulic Torque Wrench Case | | | |
|--|--------------------|-------------|------------------------------------|
| Item | Part Number | Qty. | Description |
| 1 | M2200 | 1 | Carrying Case, Drive Unit, W35000X |
| 2 | M2720 | 1 | Carrying Case, Cassette, W35000X |

NOTES:

NOTES:

| |
|--|
| |
| |
| |
| |
| |
| |
| |
| |
| |
| |
| |
| |
| |
| |
| |
| |
| |
| |
| |
| |
| |
| |
| |
| |
| |
| |

