

To Protect Your Warranty, Use Only ENERPAC Hydraulic Oil.

Enerpac recommends that all kit components be installed to insure optimum performance of the repaired product.

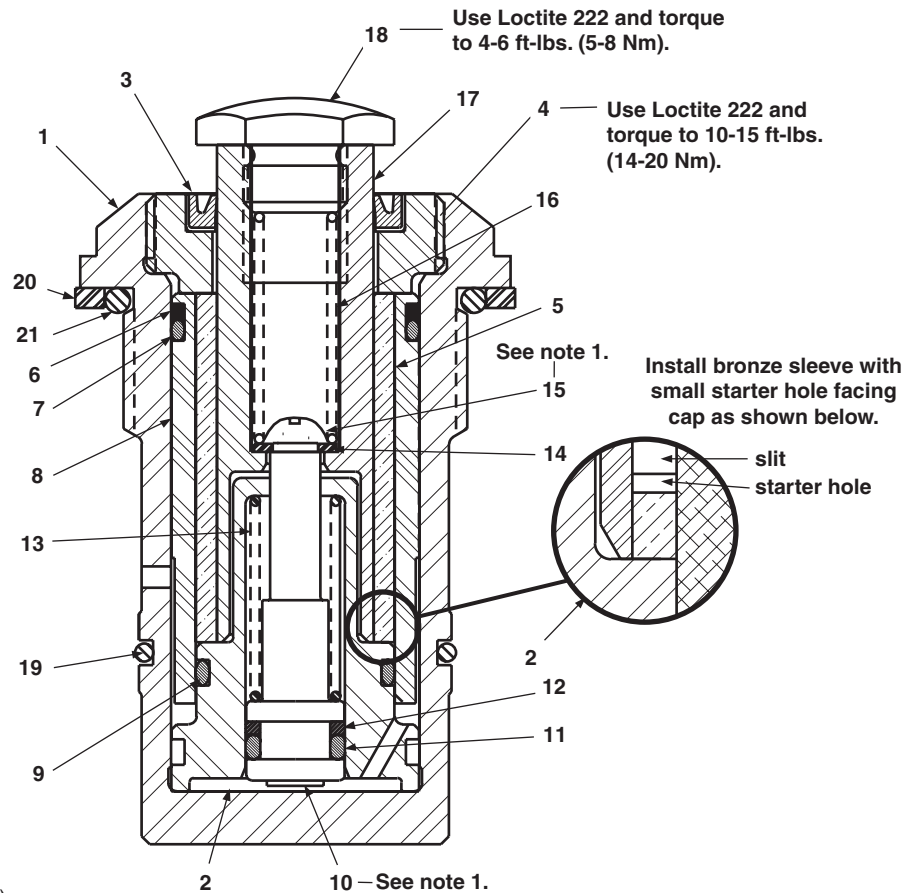


Figure 1, WFC 72 / WFC 72V

Repair Parts List for Figure 1

Item	Part Number	Qty.	Description	Item	Part Number	Qty.	Description
1	not serviceable	1	Base	12	★	1	Back Up
2	DA12428020	1	Cap	13	★	1	Spring
3	★	1	Wiper	14	★	1	Washer
4	DC1148044	1	Stop Ring	15	★	1	Screw
5	DA12430447	1	Bronze Sleeve	16	★	1	Spring
6	★	1	Teflon Backup	17	DA12426040	1	Plunger
7	★	1	O-Ring	18	CZ88045	1	Contact Bolt
8	DA12429446	1	Plastic Jacket	19	★	1	O-Ring
9	★	1	O-Ring	20	PA1872108	1	Washer
10	DC1948051	1	Piston	21	★	1	O-Ring
11	★	1	O-Ring				

★ = Items included in and available only as part of Repair Kit WFC72K and WFC72KV.

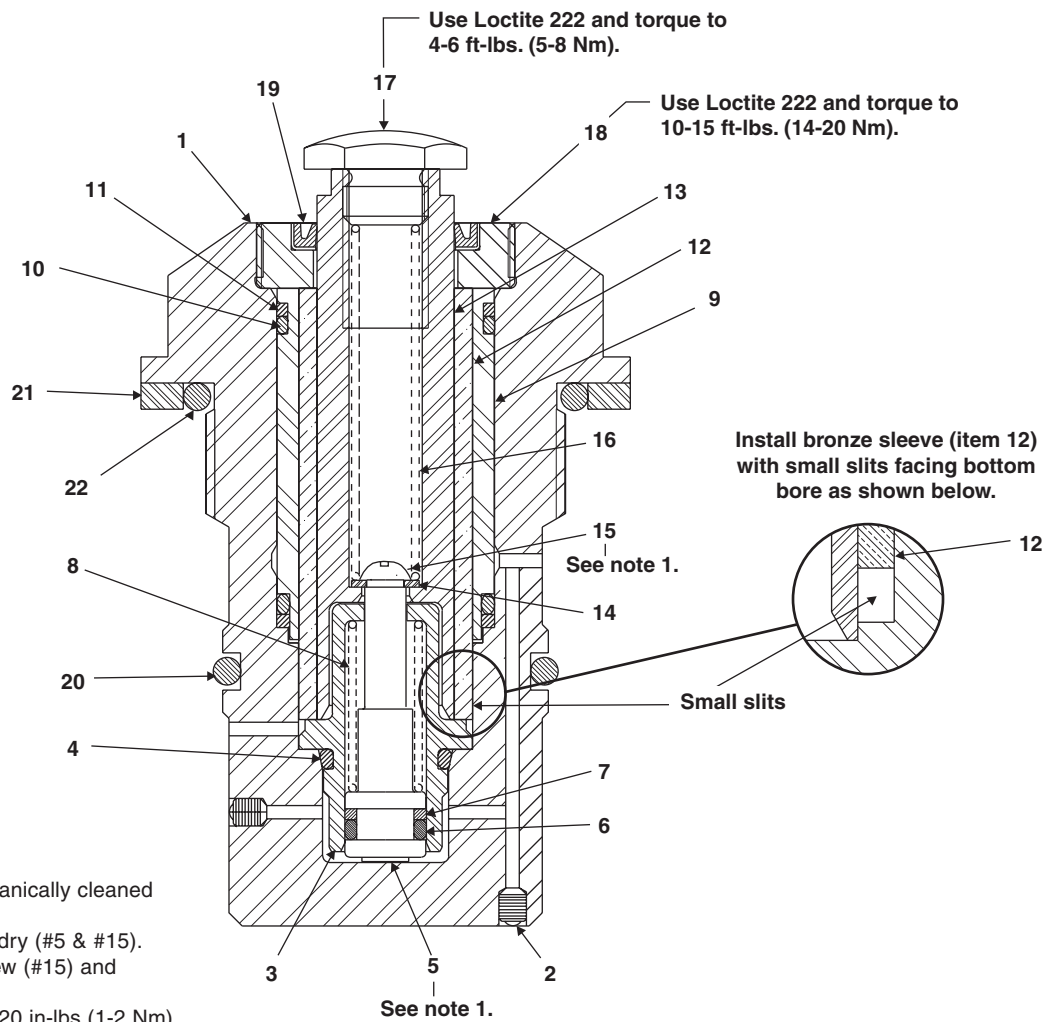


Figure 2, WFC 112 / WFC 112V

Repair Parts List for Figure 2

Item	Part Number	Qty.	Description	Item	Part Number	Qty.	Description
1	not serviceable	1	Base	12	DA12359446	1	Bronze Sleeve
2	not serviceable	1	Plug	13	DA12360040	1	Plunger
3	DA12361020	1	Cap	14	★	1	Washer
4	★	1	O-Ring	15	★	1	Screw
5	DC1948051	1	Piston	16	★	1	Spring
6	★	1	O-Ring	17	CZ88045	1	Contact Bolt
7	★	1	Backup	18	DA12365044	1	Stop Ring
8	★	1	Spring	19	★	1	Wiper
9	DA12358446	1	Nylon Sleeve	20	★	1	O-Ring
10	★	2	O-Ring	21	PA1823108	1	Washer
11	★	1	Backup	22	★	1	O-Ring, Nitrile

★ = Items included in and available only as part of Repair Kit WFC112K and WFC112KV.

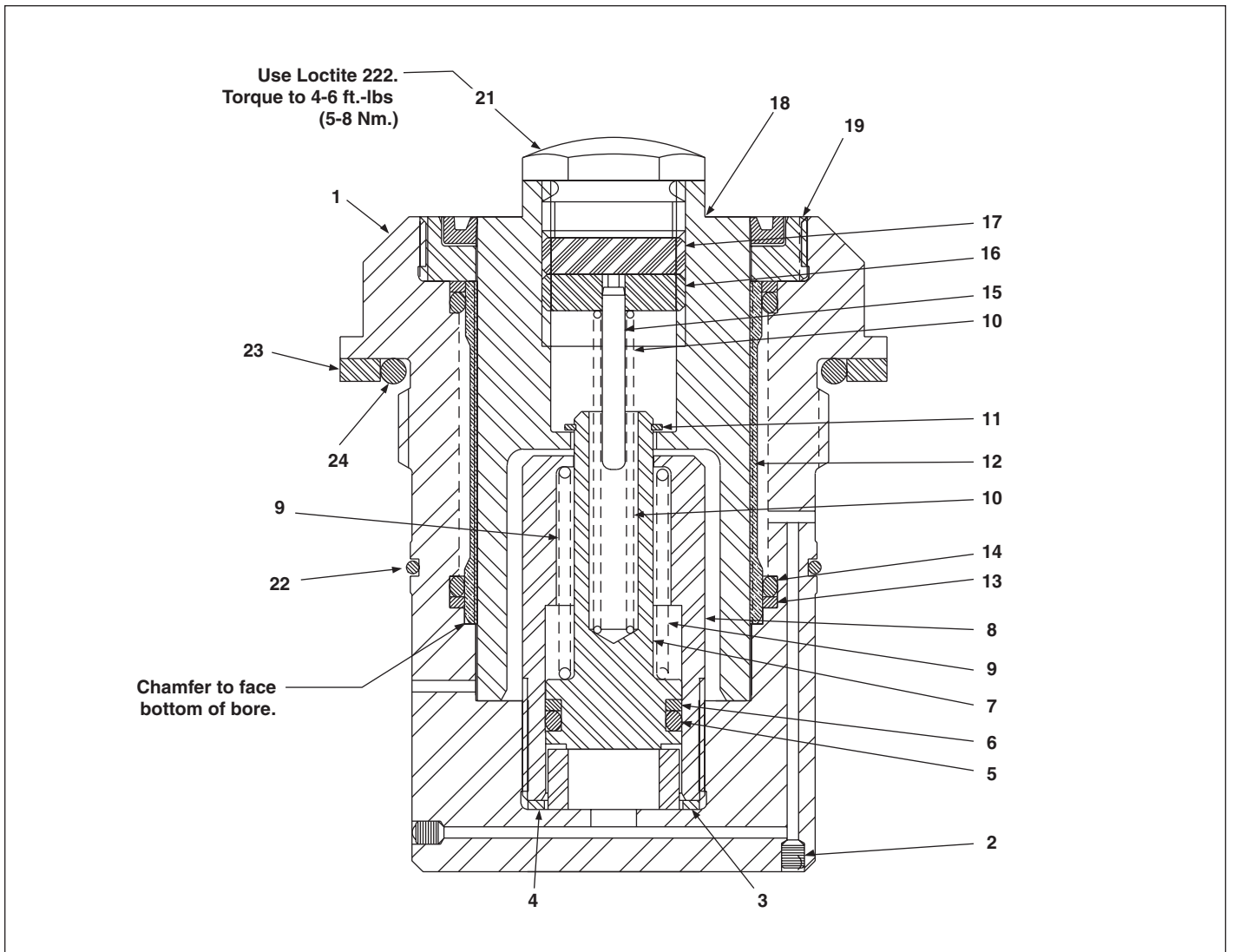


Figure 3, WFC 222 / WFC 222V

Repair Parts List for Figure 3							
Item	Part Number	Qty.	Description	Item	Part Number	Qty.	Description
1	not serviceable	1	Base	13	★	1	Backup
2	not serviceable	1	Expander	14	★	1	O-ring
3	★	1	Gasket	15	BA0216059	1	Dowel Pin
4	DC1154186	1	Spacer	16	PA1075048	1	Adjustment screw
5	★	1	O-Ring	17	PA1076048	1	Adjustment screw
6	★	1	Washer	18	DC879040	1	Plunger
7	PA708051	1	Piston	19	DC1152044	1	Stop Ring
8	DC1153020	1	Cap	20	★	1	Wiper
9	★	1	Spring	21	CZ89045	1	Contact Bolt
10	★	2	Spring Plunger	22	★	1	O-Ring
11	PA723749	1	Retrun Ring	23	DC5987108	1	Washer
12	DC878446	1	Sleeve	24	★	1	O-Ring

★ = Items included in and available only as part of Repair Kit WFC222K and WFC222KV.

Enerpac Worldwide Locations

Australia

ENERPAC, Applied Power
Australia Ltd.
Block V Unit 3
Regents Park Estate
391 Park Road
Regents Park NSW 2143
(P.O. Box 261) Australia
Tel: +61 297 438 988
Fax: +61 297 438 648

Brazil

Power Packer do Brasil Ltda.
Rua dos Inocentes, 587
04764-050 - Sao Paulo (SP)
Tel: +55 11 5687 2211
Fax: +55 11 5686 5583
Toll Free in Brazil:
Tel: 000 817 200 6718
vendabrasil@enerpac.com

Canada

Actuant Canada Corporation
6615 Ordan Drive, Unit 14-15
Mississauga, Ontario L5T 1X2
Tel: +1 905 564 5749
Fax: +1 905 564 0305
Toll Free:
Tel: +1 800 268 4987
Fax: +1 800 461 2456
Technical Inquiries:
techservices@enerpac.com

China

Actuant China Ltd.
1F, 269 Fute N. Road
Waigaoqiao Free Trade Zone
Pudong New District
Shanghai, 200 131 China
Tel: +86 21 5866 9099
Fax: +86 21 5866 7156

Actuant China Ltd. (Beijing)
709A Xin No. 2
Diyang Building
Dong San Huan North Rd.
Beijing City, 100028 China
Tel: +86 10 845 36166
Fax: +86 10 845 36220

Eastern Europe

Applied Power International S.A.
Case postale 130
CH-1213 Onex-Genève
Switzerland
Tel: +49 (211) 47149 44
Fax: +49 (211) 47149 40

France, Greece, Africa

ENERPAC S.A.
B.P. 200
Parc d'Activités
du Moulin de Massy
F-91882 Massy CEDEX
(Paris) France
Tel: +33 1 601 368 68
Fax: +33 1 692 037 50

Germany, Austria

ENERPAC
Applied Power GmbH
P.O. Box 300113
D-40401 Düsseldorf
Germany
Tel: +49 211 471 490
Fax: +49 211 471 49 28

India

ENERPAC Hydraulics
(India) Pvt. Ltd.
Plot No. A/571
MIDC, TTC Industrial Area
Mahape-400 701
Navi Mumbai, India
Tel: +91 22 778 1779
Fax: +91 22 778 1473

Italy

ENERPAC
Applied Power Italiana S.p.A.
Via Canova 4
20094 Corsico (Milano)
Tel: +39 02 4861 111
Fax: +39 02 4860 1288

Japan

Applied Power Japan Ltd.
1-1-11, Shimomae
Toda-shi
Saitama Pref.
Japan 335-0016
Tel: +81 48 430 2311
Fax: +81 48 430 1117

✦ e-mail: info@enerpac.com

Mexico

ENERPAC Applied Power
Mexico S. de R.L. de C.V.
Avenida Principal
La Paz #100
Fracc. Industrial La Paz
42092 Pachuca, Hidalgo
Tel: +52 771 71851 60
+52 771 71870 22
Fax: +52 771 71352 32
Toll Free in Mexico:
Tel: 001 800 590 0130

The Netherlands, Belgium, Luxembourg, Sweden, Denmark, Norway, Finland

ENERPAC B.V.
Storkstraat 25
P.O. Box 269, 3900 AG Veenendaal
The Netherlands
Tel: +31 318 535 911
Fax: +31 318 525 613
+31 318 535 848

Russia and CIS (excl. Caspian Sea Countries)

ENERPAC
Leninsky Prospect 95A
117313, Moscow, Russia.
Tel/Fax: +7(095) 936-2005
Tel/Fax: +7(095) 198-3094
Tel/Fax: +7(095) 938-4655
Mobil: +7(903) 731-9558

Singapore

Actuant Asia Pte. Ltd.
25 Serangoon North Ave. 5
#03-01 Keppel Digihub
Singapore 554914
Thomson Road
P.O. Box 114
Singapore 915704
Tel: +65 64 84 5108
+65 64 84 3737
Fax: +65 64 84 5669

South Korea

ENERPAC
Applied Power Korea Ltd.
163-12 Dodang-Dong
Wonmi-Ku, Buchun-shi
Kyunggi-Do
Republic of Korea
Tel: +82 32 675 08 36
Fax: +82 32 675 30 02/73

✦ internet: www.enerpac.com

Spain, Portugal

ENERPAC
C/San José Artesano 8
Pol. Ind.
28108 Alcobendas
(Madrid) Spain
Tel: +34 91 661 11 25
Fax: +34 91 661 47 89

Middle East, Turkey and Caspian Sea

ENERPAC Middle East FZE
P.O. Box 18004
Jebel Ali, Dubai
United Arab Emirates
Tel: +971 (0)4 8872686
Fax: +971 (0)4 8872687

United Kingdom, Ireland

ENERPAC Ltd., P.O. Box 33
New Romney, TN28 8QF
United Kingdom
Tel: +44 01527 598 900
Fax: +44 01527 585 900

USA, Latin America and Caribbean

ENERPAC
P.O. Box 3241
6100 N. Baker Road
Milwaukee, WI 53209 USA
Tel: +1 262 781 6600
Fax: +1 262 783 9562

User inquiries:

+1 800 433 2766
Distributor inquiries/orders:
+1 800 558 0530
Technical Inquiries:
techservices@enerpac.com

All Enerpac products are guaranteed against defects in workmanship and materials for as long as you own them.
For your nearest authorized Enerpac Service Center, visit us at www.enerpac.com