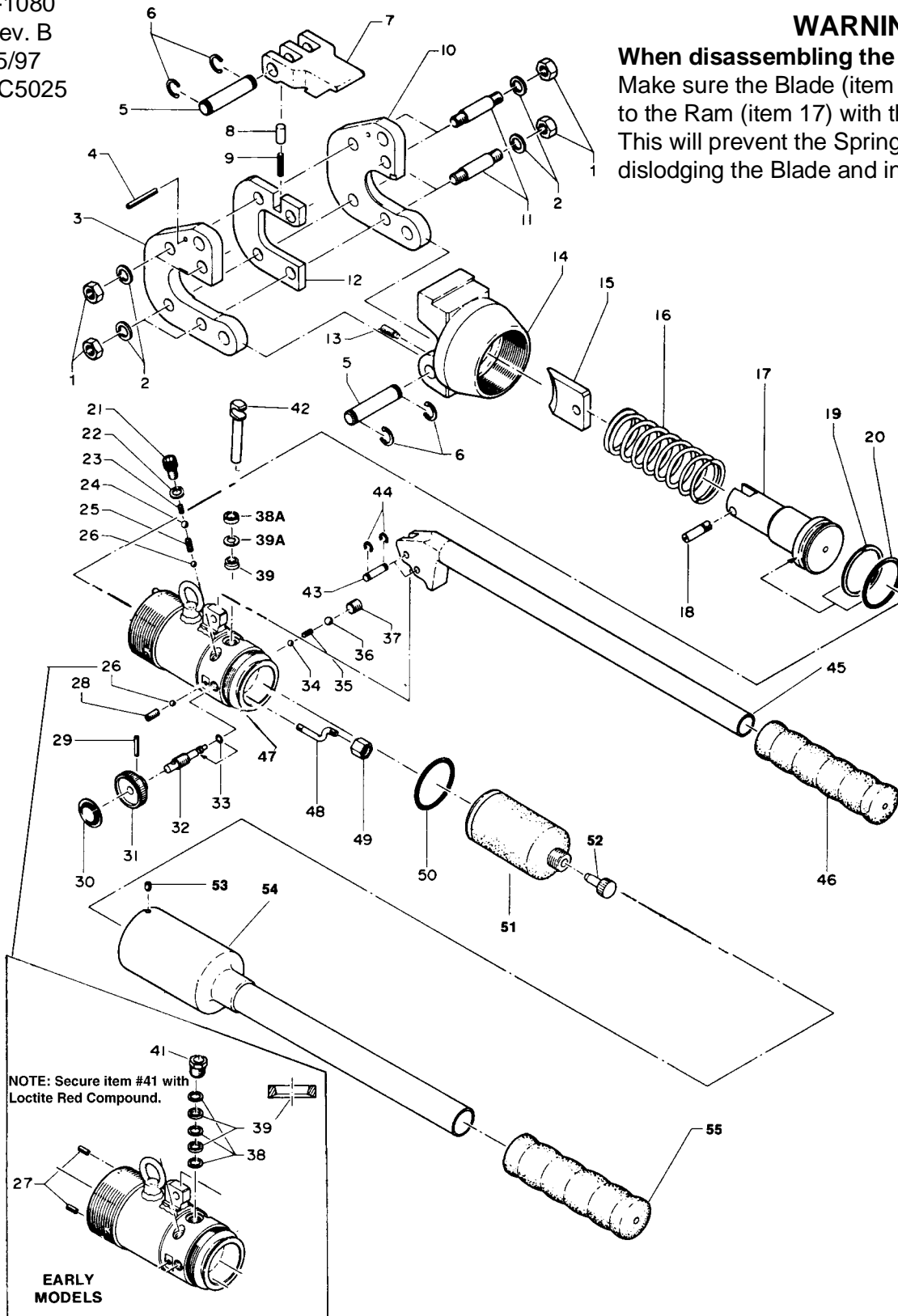


L-1080
Rev. B
05/97
PC5025

WARNING

When disassembling the Body Head (item 14):
Make sure the Blade (item 15) stays attached to the Ram (item 17) with the Screw (item 18). This will prevent the Spring (item 16) from dislodging the Blade and injuring you or others.



REPAIR PARTS LIST

Item No.	Part Number	Qty.	Description	Item No.	Part Number	Qty.	Description
1	WM1584031	8	M10 Hex Nut	29	WM1253213	1	2.5 x 20 Drive Pin
2	WM1584032	8	M10 Lock Washer	30	WM1253214	1	Release Knob Label
3	WM1253201	1	Main Head	31	WM1253215	1	Release Knob
4	WM1252602	1	4 x 36 Drive Pin	32	WM1253216	1	Release Valve Stem
5	WM1252603	2	Pin	33	★ WM581636	1	O-Ring
6	★ WM1252604	4	Snap Ring	34	★ B1006016	1	7/32" Ball
7	WM1252605	1	Latch	35	★ WM581639	1	Release Valve Spring
8	WM1252606	1	Spring Holder	36	★ B1008016	1	9/32" Ball
9	★ WM1252607	1	Latch Spring	37	WM581641	1	Release Valve Screw
10	WM1253202	1	Head Shear	3	WM1253217	3	B-U Ring (early models)
11	WM1252609	4	Stud Bolt	38A	★ WM1003302	1	Oil Seal (latest models)
12	WM1253203	1	Spacer	39	★ WM1253218	2	Pent Seal
13	WM585511	1	Stopper Screw	39A	★ WM1003301	1	B-U Ring (latest models)
14	WM1253205	1	Body Head	41	WM1253220	1	Gland (early models)
15	WCB1250	1	Blade	42	WM1253221	1	Pump Piston
16	WM1253207	1	Ram Spring	43	WM1252629	2	Pin
17	WM1253208	1	Ram	44	★ WM1584049	4	Snap Ring
18	WM1253209	1	Blade Screw	45	WM1252630	1	Pump Handle
19	★ WM1253210	1	Back-Up Ring	46	WM1252631	1	Pump Handle Grip
20	★ WM1253211	1	O-Ring	47	WM1253222	1	Body
21	WM1252619	1	Exhaust Valve Screw	48	WM1252634	1	Suction Tube
22	★ WM1252620	1	Copper Gasket	49	WM1252635	1	Filter Base Assembly
23	★ WM1252621	1	Exhaust Valve Spring	50	★ WM1252637	1	O-Ring
24	★ B1007016	1	1/4" Ball	51	WM1003303	1	Oil Reservoir (latest models)
25	★ WM581648	1	Suction Valve Spring	52	WM1584155	1	Reservoir Cap
26	★ B1005016	2	3/16" Ball	53	★ WM1584054	1	M5 x 0.8 x 5 Screw
27	WM1253212	2	3x10 Drive Pin (early models)	54	WM1252639	1	Body Handle
28	WM1253223	1	M6 x 15 Screw	55	WM1252640	1	Body Handle Grip

★ Indicates items included in and available only as part of Repair Kit WMC100125K1.

Australia

ENERPAC
Applied Power Australia, Ltd.
P.O. Box 261 Regents Park
Sydney, N.S.W. 2143
Tel: (61) (2) 9743 8988
Fax: (61) (2) 9743 8648

CIS

Applied Power Moscow
Leninsky Prospekt 95A
117313 Moscow, Russia
Tel: (7)(95) 936 5090
Fax: (7)(95) 936 2006

France, Switzerland, Turkey, Greece, Africa, Middle East

ENERPAC S.A.
Parc d'Activité du Moulin
de Massy
1 rue du Saule trapu, BP200
F-91882 Massy CEDEX
(Paris) France
Tel: (33) 1 60 13 68 68
Fax: (33) 1 69 20 37 50

Germany, Scandinavia, Eastern Europe, Austria, Switzerland

ENERPAC
Applied Power GmbH
P.O. Box 30 01 13
Mündelheimer Weg 51
40401 Düsseldorf 30
Germany
Tel: (49) (211) 47 14 90
Fax: (49) (211) 47 14 92/8/940

Holland, Belgium, and Luxemburg

ENERPAC B.V.
P.O. Box 269, Storkstraat 25
3900AG Veenendaal
Holland
Tel: (31) (318) 535911
Fax: (31) (318) 525613/526645

Hong Kong

ENERPAC
Room No. 907, Workingberg
Commercial Building
41-47 Marble Road, North Point
Tel: (852) 561-6295
Fax: (852) 561-6772

India

ENERPAC
Hydraulics (India) Pvt Ltd.
203 Vardhaman Chamber
Plot #84, Sector 17
Vashi, New Bombay 400 705
India
Tel: 91-22-7631062
Fax: 91-22-7670309

Italy

ENERPAC
Applied Power Italiana S.p.A.
Via Canova, 4
20094 Corsico (Milano)
Italy
Tel: 39 2 45 82 741/2/3
Fax: 39 2 48 60 12 88

Japan

Applied Power Japan LTD
10-17 Sasame Kita-cho
Toda-City
Saitama 335,
Japan
Tel: 81 048 422 2251
Telex: J26275
Fax: 81 048 422 0596

Mexico

ENERPAC
Applied Power Mexico S.A. de C.V.
Av. Principal La Paz #100
Fracc. Industrial La Paz
42084 Pachuca, Hidalgo, Mexico
Tel: (52) 771 33700
Fax: (52) 771 83800

Singapore

Applied Power Asia Pte Ltd.
47 Jalan Pemimpin #01-02
01-03 Sin Cheong Building
Singapore 2057
Thomson Road P.O. Box 114
Singapore 9157
Tel: (65) 258 1677
Fax: (65) 258 2847

South Korea

ENERPAC
Applied Power Korea Ltd.
163-12, Dodang-Dong
Wonmi-gu, Buchun-Shi,
Kyunggi-Do
Korea
Tel: (82) (32) 675 0836
Fax: (82) (32) 675 3002

Spain, Portugal

ENERPAC
Applied Power International, S.A.
Calle de la Imprenta, 7
Polígono Industrial
28100 Alcobendas (Madrid)
Spain
Tel: (34) 1 661 11 25
Fax: (34) 1 661 47 89

United Kingdom, Ireland

ENERPAC Ltd. Unit 3
Colemeadow Road
North Moons Moat
Redditch, Worcester B98 9BP
England
Tel: 44 01527 598 900
Fax: 44 01527 585 500

United States, Canada, Latin America and Caribbean

ENERPAC
13000 West Silver Spring Drive
Butler, Wisconsin 53007, USA
Tel: (414) 781-6600
1-800-433-2766 (End User)
1-800-558-0530 (Distributor)
Fax: (414) 781-1049

Canada

Tel: 1-800-426-4129 (End User)
Tel: 1-800-426-2284 (Distributor)

Latin America and Caribbean

Tel: (414) 781-6600 ext. 263
Fax: (414) 781-5561



All Enerpac products are guaranteed against defects in workmanship and materials for as long as you own them. Under this guarantee, free repair or replacement will be made to your satisfaction.

For prompt service, contact your Authorized Enerpac Service Center or call toll free:

In U.S.A. 1-800-558-0530
In Canada 1-800-426-2284