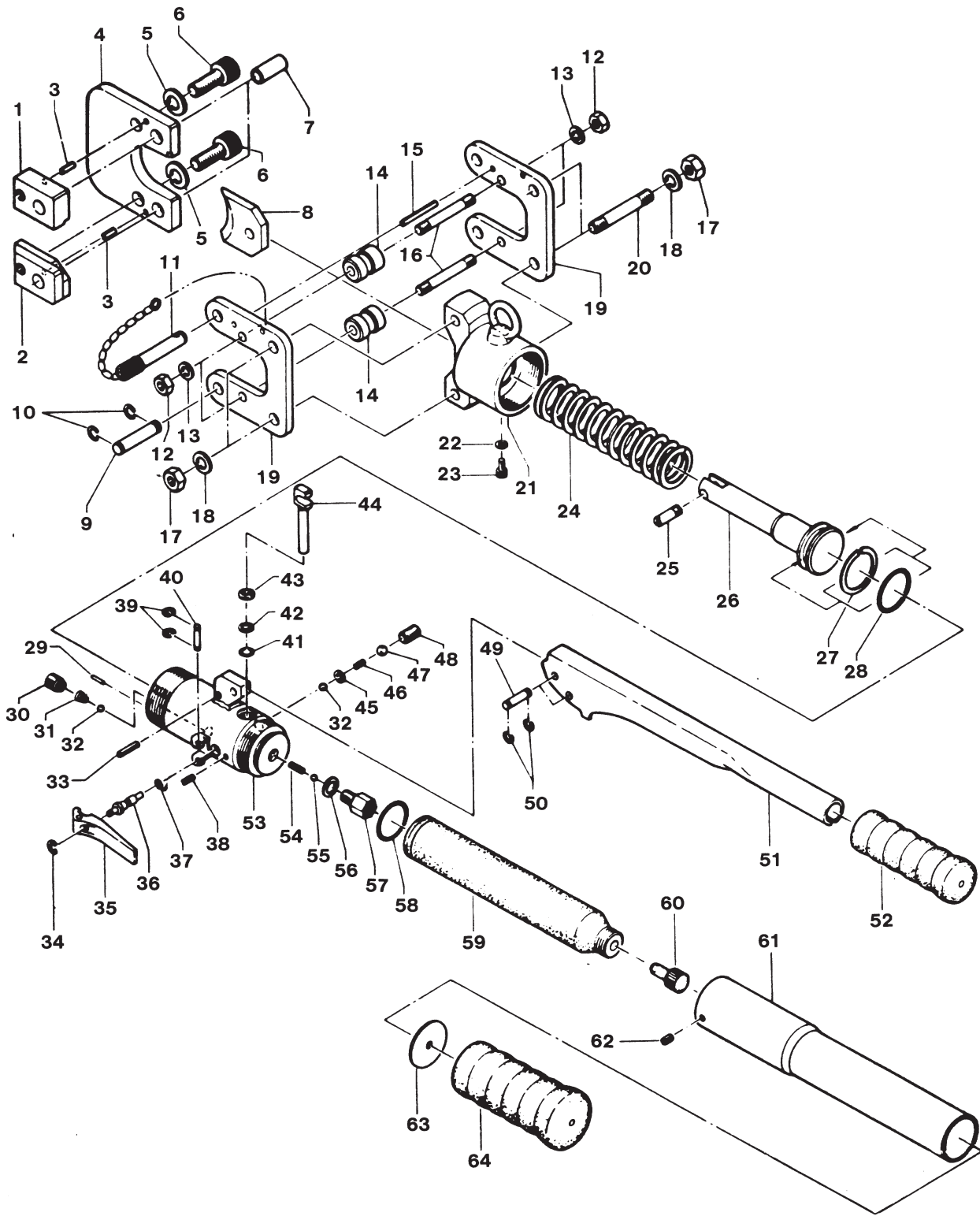


L1088
Rev. D
12/16
PC5025



TO PROTECT YOUR WARRANTY, USE ONLY ENERPAC HYDRAULIC OIL.



Parts List							
Item	Part Number	Qty.	Description	Item	Part Number	Qty.	Description
1	WM1584002	1	Guide Piece	33	WM1584204	1	Dowel Pin
2	WM1584004	1	Guide Piece	34	★ WM581633	1	Snap Ring
3	WM1584005	2	Drive Pin	35	WM581634	1	Release Lever
4	WM1584007	1	Head Shear	36	WM581635	1	Release Valve Stem
5	WM1584009	2	Lock Washer	37	★ WM581636	1	O-Ring
6	WM1584011	2	Screw	38	★ WM581637	1	Release Lever Spring
7	WM1584012	2	Bushing				
8	WMC1580	1	Blade	39	★ WM581628	2	Snap Ring
9	WM1584015	1	Pin	40	WM581627	1	Pin
10	★ WM1584016	2	Snap Ring	41	★ WM581644	1	Pent Seal
11	WM1584101	1	Lock Pin Assembly	42	★ WM3388533	1	Back-Up Ring
12	WM1584024	4	Hex Nut	43	★ WM1584205	1	Dust Seal
13	WM1584025	4	Lock Washer	44	WM1584046	1	Pump Piston
14	WM1584027	2	Roller	45	★ WM581638	1	Flat Washer
15	WM1584028	1	Drive Pin	46	★ WM581639	1	Release Valve Spring
16	WM1584030	2	Stud Bolt	47	★ B1008016	1	9/32" Ball
17	WM1584031	4	Hex Nut	48	WM1584047	1	Screw
18	WM1584032	4	Lock Washer	49	WM1584048	2	Pin
19	WM1584034	2	Support Plate	50	★ WM1584049	4	Snap Ring
20	WM1584036	2	Stud Bolt	51	WM1584102	1	Pump Handle
21	WM1584201	1	Body Head	52	WM1584051	1	Pump Handle Grip
22	WM1584109	1	Lock Washer	53	WM1584206	1	Body
23	WM1584202	1	Stopper Screw	54	★ WM581648	1	Suction Valve Spring
24	WM1584038	1	Ram Spring	55	★ B1005016	1	3/16" Ball
25	WM1584040	1	Blade Screw	56	★ WM581650	1	Copper Gasket
26	WM1584042	1	Ram	57	★ WM581651	1	Suction Valve Assembly
27	★ WM1584043	1	Back-Up Ring				
28	★ WM1584044	1	O-Ring	58	★ WM581655	1	O-Ring
29	WM1584203	2	Dowel Pin	59	WM1584103	1	Oil Reservoir
30	WM581624	1	Exhaust Valve Screw	60	WM1584155	1	Reservoir Cap
				61	WM1584103	1	Body Handle
31	★ WM581625	1	Exhaust Valve Spring	62	★ WM1584054	1	Screw
				63	WM1584056	1	Grip Base
32	★ B1006016	2	7/32" Ball	64	WM1584057	1	Body Handle Grip

★ Indicates items included in Repair Kit WMC158K.

Enerpac Worldwide Locations

◆ e-mail: info@enerpac.com

◆ internet: www.enerpac.com

Australia and New Zealand

Actuant Australia Ltd.
P.O. Box 6867
Wetherhill Park, NSW 1851
Block V Unit 3
Regents Park Estate
391 Park Road
Regents Park NSW 2143
Australia
T +61 287 177 200
F +61 297 438 648
sales-au@enerpac.com

Brazil

Power Packer do Brasil Ltda.
Rua Luiz Lawrie Reid, 548
09930-760 - Diadema (SP) - Brazil
T +55 11 5687 2211
Toll Free: 0800 891 5770
vendasbrasil@enerpac.com

China (Taicang)

Actuant (China) Industries Co. Ltd.
No.6 Nanjing East Road,
Taicang Economic Dep Zone
Jiangsu, China
T +86 0512 5328 7500
F +86 0512 5335 9690
Toll Free: +86 400 885 0369
sales-cn@enerpac.com

France, Switzerland, North Africa and French speaking African countries

ENERPAC
Une division d'Actuant France S.A.S
Zone Orlytech Bâtiment 516
1 allée du commandant Mouchotte
CS 40351
91550 Paray-Vieille-Poste
France
T +33 1 60 13 68 68
F +33 1 69 20 37 50
sales-fr@enerpac.com

Germany and Austria

Actuant GmbH
P.O. Box 300113
D-40401 Düsseldorf
Willstätterstrasse 13
D-40549 Düsseldorf, Germany
T +49 211 471 490
F +49 211 471 49 28
sales-de@enerpac.com

India

Actuant India Private Limited
No. 10, Bellary Road, Sadashivanagar,
Bangalore, Karnataka 560 080
India
T +91 80 3928 9000
info@enerpac.co.in

Italy

ENERPAC S.p.A.
Via Canova 4
20094 Corsico (Milano)
T +39 02 4861 111
F +39 02 4860 1288
sales-it@enerpac.com

Japan

Applied Power Japan LTD KK
Besshocho 85-7
Kita-ku, Saitama-shi 331-0821, Japan
T +81 48 662 4911
F +81 48 662 4955
sales-jp@enerpac.com

Middle East, Egypt and Libya

ENERPAC Middle East FZE
Plot M00737m 1242nd Street
Jebel Ali Free Zone North
P.O. Box 18004, Dubai
United Arab Emirates
T +971 (0)4 8872686
F +971 (0)4 8872687
sales-ua@enerpac.com

Russia

Rep. office Enerpac
Russian Federation
Admiral Makarova Street 8
125212 Moscow, Russia
T +7 495 98090 91
F +7 495 98090 92
sales-ru@enerpac.com

Norway

Sales Office Norway
Unit 524, Nydalsveien 28, 0484 Oslo
P.O. Box 4814, Nydalen 0422 Oslo
Norway
T +47 91 578 300
insidesalesnorway@enerpac.com

Southeast Asia, Hong Kong and Taiwan

Actuant Asia Pte Ltd.
83 Joo Koon Circle
Singapore 629109
T +65 68 63 0611
F +65 64 84 5669
Toll Free: +1800 363 7722
sales-sg@enerpac.com

South Korea

Actuant Korea Ltd.
3Ba 717, Shihwa Industrial Complex
Jungwang-Dong, Shihung-Shi,
Kyunggi-Do
Republic of Korea 429-450
T +82 31 434 4506
F +82 31 434 4507
sales-kr@enerpac.com

Spain and Portugal

ENERPAC SPAIN, S.L.
Avda. Valdelaparra N° 27 3ª - L8
28108 Alcobendas (Madrid), Spain
T +34 91 884 86 06
F +34 91 884 86 11
sales-es@enerpac.com

Sweden, Denmark

Finland and Iceland
Enerpac Scandinavia AB
Kopparlundsvägen 14,
721 30 Västerås
Sweden
T +46 (0) 771 41 50 00
scandinavianinquiries@enerpac.com

The Netherlands, Belgium, Luxembourg, Central and Eastern Europe, Baltic States, Greece, Turkey and CIS countries

ENERPAC B.V.
Galvanistraat 115, 6716 AE Ede
P.O. Box 8097, 6710 AB Ede
The Netherlands
T +31 318 535 911
F +31 318 535 848
sales-nl@enerpac.com

Enerpac Integrated Solutions B.V.

Spinelstraat 15, 7554 TS Hengelo
P.O. Box 421, 7550 AK Hengelo
The Netherlands
T +31 74 242 20 45
F +31 74 243 03 38
integratedsolutions@enerpac.com

South Africa and other English speaking African countries

Enerpac Africa Pty Ltd.
No. 5 Bauhinia Avenue
Cambridge Office Park
Block E
Highveld Techno Park
Centurion 0157
Republic of South Africa
T: +27 12 940 0656
sales-za@enerpac.com

United Kingdom and Ireland

ENERPAC UK Ltd.
5 Coopies Field
Morpeth, Northumberland
NE61 6JR, England
T +44 1670 5010 00
sales-uk@enerpac.com

USA, Latin America and Caribbean

ENERPAC World Headquarters
P.O. Box 3241
Milwaukee WI 53201-3241 USA
N86 W12500 Westbrook Crossing
Menomonee Falls, Wisconsin 53051
T +1 262 293 1600
F +1 262 293 7036
User inquiries:
T +1 800 433 2766
Distributor inquiries/orders:
T +1 800 558 0530
F +1 800 628 0490
Technical inquiries:
techservices@enerpac.com
sales-us@enerpac.com

All Enerpac products are
guaranteed against defects
in workmanship and materials
for as long as you own them.

For the location of your nearest
authorized Enerpac Service Center,
visit us at www.enerpac.com