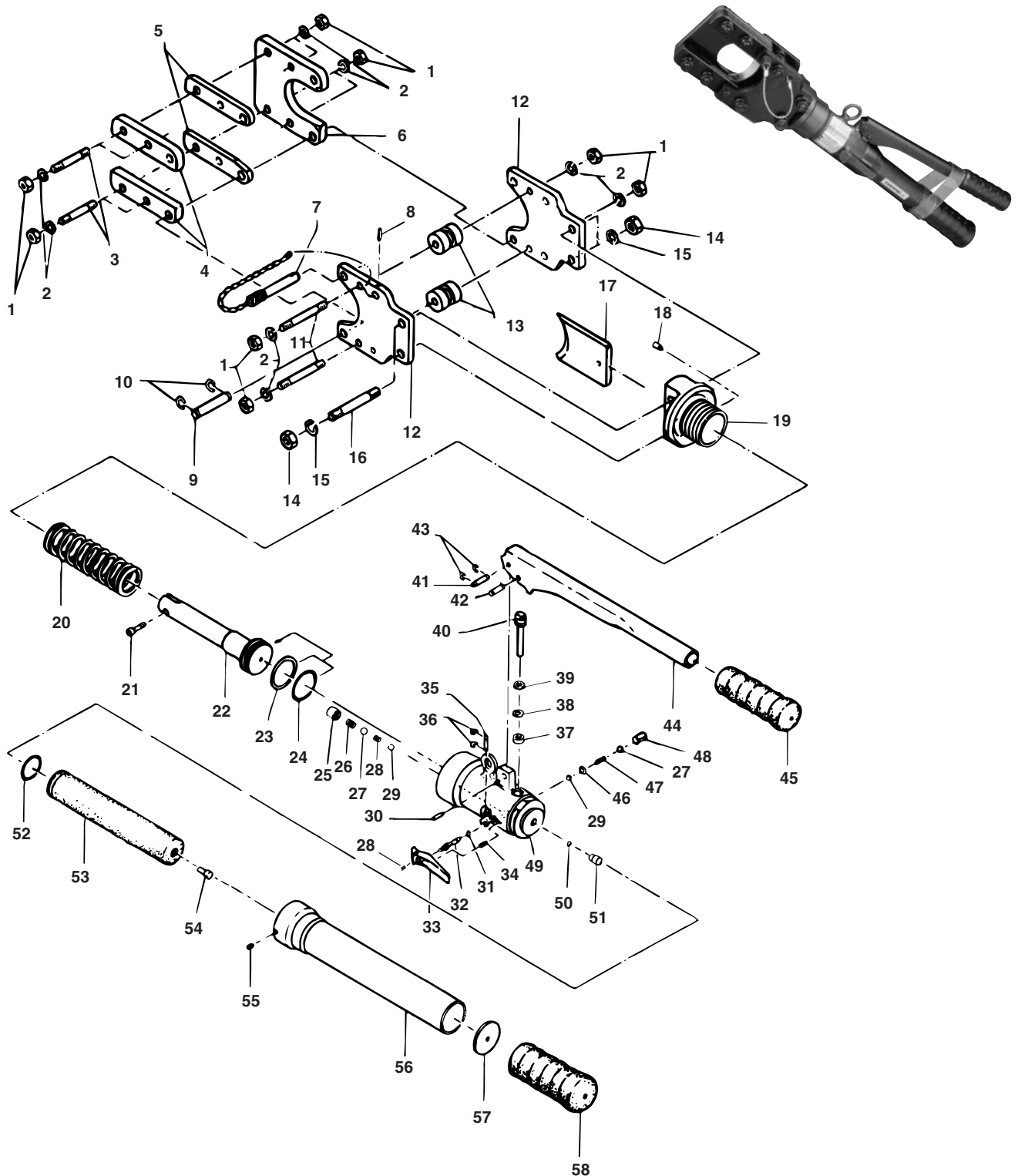


To Protect Your Warranty, Use Only ENERPAC Hydraulic Oil.

Enerpac recommends that all kit components be installed to insure optimum performance of the repaired product.



## Repair Parts List

Item	Part Number	Qty.	Description	Item	Part Number	Qty.	Description
1	WM1584031	12	M10 Hex. Nut	30	WM1584204	2	Dowel Pin
2	WM1584032	12	M10 Lock Washer	31	★ WM581636	1	O-ring
3	WM2005501	4	Stud Bolt	32	WM2005620	1	Release Valve Stem
4	WM2005502	2	Head Shear Plate	33	WM2005619	1	Release Lever
5	WM2005503	2	Spacer	34	★ WM581637	1	Release Valve Spring
6	WM2005504	1	Head Shear	35	WM581627	1	Pin
7	WM2005701	1	Lock Pin Assembly	36	★ WM581628		Snap Ring
8	WM2005702	1	Pin Drive	37	★ WM581644	1	Pent Seal
9	WM2005508	1	Pin	38	★ WM3388533		Ring, Back-up
10	★ WM2005509	2	Snap Ring	39	★ WM1584205		Dust Seal
11	WM2005510	2	Stud Bolt	40	WM2005618	1	Piston
12	WM2005703	2	Support Plate	41	WM1584048	1	Pin
13	WM2005513	2	Roller	42	WM2005615	1	Pin
14	WM2005514	4	M12 Hex. Nut	43	★ WM1584049	4	Snap Ring
15	WM1584009	4	M12 Lock Washer	44	WM2005616	1	Handle, Pump
16	WM2005515	2	Stud Bolt	45	WM1584051	1	Grip, Handle
17	WCB2000	1	Blade	46	★ WM581638	1	Flatwasher
18	WM2005611	1	Stopper Screw	47	★ WM581639	1	Release Valve Spring
19	WM2005612	1	Body Head	48	WM2005527	1	Screw M10 x 14
20	WM2005518	1	Ram Spring	49	WM2005621	1	Body
21	WM2005519	1	Blade Screw	50	★ WM2005622	1	Filter
22	WM2005704	1	Ram	51	WM2005623	1	Suction Valve
23	★ WM2005521	1	Back-up Ring	52	★ WM581655	1	O-ring
24	★ WM2005522	1	O-ring	53	WM1584053SR	1	Oil Reservoir
25	WM2005617	1	Exhaust Valve Screw	54	WM1584155	1	Reservoir Cap
26	★ WM3388539	1	Exhaust Valve Spring	55	★ WM2005624	1	M4x5 Screw
27	★ B1008016	2	9/32" Ball	56	WM2005625	1	Body Handle
28	★ WM3388540	1	Suction Valve Spring	57	WM1584056	1	Grip, Base
29	★ B1005016	1	3/16" Ball	58	WM1584057	1	Body Handle Grip
	★ WM581633	1	Snap Ring				

★ Items are included in and available only in Repair Kit WMC-200K.

**Australia**  
ENERPAC, Applied Power Australia Ltd.  
Block V Unit 3,  
Regents Park Estate,  
391 Park Road  
Regents Park NSW 2143  
(P.O. Box 261) Australia  
Tel: +61 297 438 988  
Fax: +61 297 438 648

**China**  
Shanghai Blackhawk  
Machinery Co Ltd  
15H Jinxuan Building  
238 Nandan Road (E)  
Shanghai, 200030, China  
Tel: +86 21 6469 8732  
Fax: +86 21 6469 8721

**France, Greece, Turkey, Middle East, Africa**  
ENERPAC S.A.  
B.P. 200, Parc d'Activités  
du Moulin de Massy  
F-91882 Massy CEDEX (Paris) France  
Tel: +33 01 601 368 68  
Fax: +33 01 692 037 50

**Germany, Denmark, Scandinavia, Austria, Switzerland, Eastern Europe, CIS**  
ENERPAC  
Applied Power GmbH  
P.O. Box 300113  
D-40401 Düsseldorf, Germany  
Tel: +49 211 471 490  
Fax: +49 211 471 49 28/40

**Holland, Belgium, Luxembourg,**  
ENERPAC B.V.  
Storkstraat 25  
P.O. Box 269  
3900 AG Veendam, Holland  
Tel: +31 318 535 911  
Fax: +31 318 535 848  
+31 318 526 645

**Hong Kong**  
ENERPAC  
Room 907 Workingberg  
Commercial Building  
41-47 Marble Road,  
North Point  
Tel: +852-2561 6295  
Fax: +852-2561 6772

**India**  
ENERPAC  
Hydraulic (India) Pvt Ltd  
Plot No. A-571  
MIDC, TTC Industrial Area  
Mahape-400 701,  
Navi Mumbai, India  
Tel: +91 22 769 47 78  
Fax: +91 22 769 84 73

**Italy**  
ENERPAC Applied Power Italiana S.p.A.  
Via Canova 4,  
20094 Corsico (Milano)  
Tel: +39 2 486 111 00  
Fax: +39 2 486 012 88

**Japan**  
Applied Power Japan Ltd.  
10-17 Sasame Kita-Machi  
Toda-Shi, Saitama #335, Japan  
Tel: +81 048 421 2311  
Fax: +81 048 421 8949

**Mexico**  
ENERPAC Applied Power Mexico S.A. de  
C.V.  
Avenida Principal,  
La Paz #100  
Fracc. Industrial La Paz  
42084 Pachuca, Hidalgo  
Tel: +52 771 337 00  
Fax: +52 771 838 00

**Singapore**  
Applied Power Asia Pte Ltd  
No. 8, Ang Mo Kio Industrial Park 2  
#01-00, Singapore 563500  
Tel: (65) 484-5108  
Fax: (65) 484-5669

**South Korea**  
ENERPAC  
Applied Power Korea Ltd.  
163-12 Dodang-Dong, Choong-Ku,  
Buchun-shi, Kyunggi-Do  
Republic of Korea  
Tel: +82 32 675 08 36  
Fax: +82 32 675 30 02

**Spain, Portugal**  
ENERPAC Applied Power International S.A.  
A. Valgrande 14  
Nave 12  
28108 Alcobendas (Madrid), Spain  
Tel: +34 91 661 11 25  
Fax: +34 91 661 47 89

**United Kingdom, Ireland**  
ENERPAC Limited  
Unit 3 Colemeadow Road  
North Moons Moat, Redditch  
Worcester B98 9PB  
United Kingdom  
Tel: +44 01527 598 900  
Fax: +44 01527 585 500

**USA, Canada, Latin America and Caribbean**  
ENERPAC  
6101 N. Baker Road  
Milwaukee, WI 53209 USA  
Tel: +1 414 781 66 00  
Fax: +1 414 781 10 49

**USA**  
User inquiries:  
**+1 800 433 2766**  
Distributor inquiries/orders:  
**+1 800 558 0530**

**Canada**  
User inquiries:  
**+1 800 426 4129**  
Distributor inquiries/orders:  
**+1 800 426 2284**

**Internet**  
[www.enerpac.com](http://www.enerpac.com)

**e-mail**  
[info@enerpac.com](mailto:info@enerpac.com)

**All Enerpac products are guaranteed against defects in workmanship and materials for as long as you own them.  
For your nearest authorized Enerpac Service Center, visit us at [www.enerpac.com](http://www.enerpac.com)**

NS0100RA