

# ENERPAC

A UNIT OF APPLIED POWER INC. 

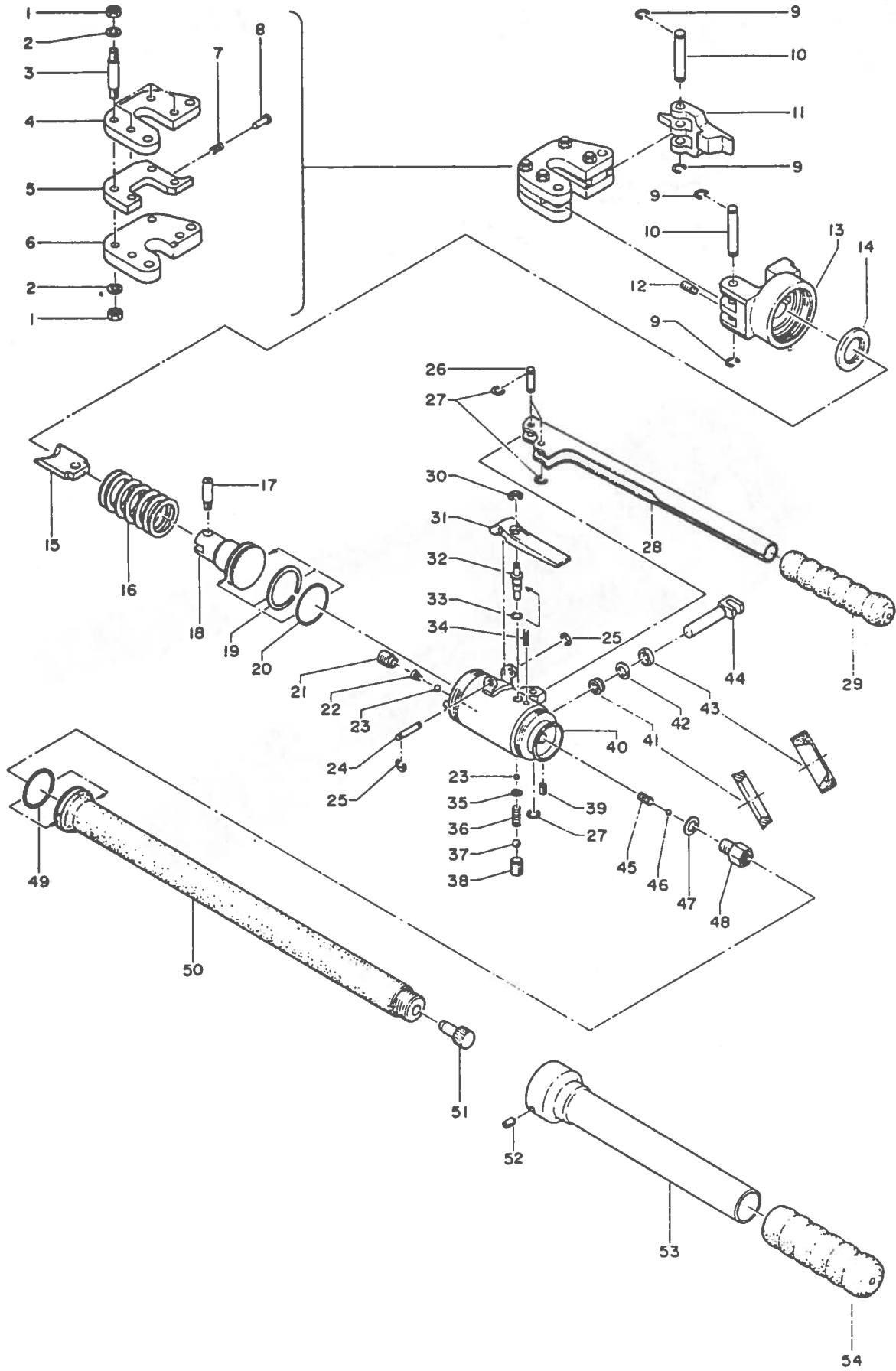
## Repair Parts Sheet

### WMC - 580

L-1148  
REV. A  
07/92  
PC 5025



TO PROTECT YOUR WARRANTY, USE ONLY ENERPAC HYDRAULIC OIL



# Parts List

Item No.	Part Number	Qty.	Description	Item No.	Part Number	Qty.	Description
1	WM581601	8	M6 Hex Nut	28	WM581631	1	Pump Handle
2	WM581602	8	M6 Lock Washer	29	WM581632	1	Pump Handle Grip
3	WM581603	4	Stud Bolt	30	◆WM581633	1	E-32 Snap Ring
4	WM752004	1	Main Head	31	WM581634	1	Release Lever
5	WM752070	1	Spacer	32	WM581635	1	Release Valve
6	WM581606	1	Head Shear	33	◆WM581636	1	P-3 O-Ring
7	◆WM3388537	1	Spring	34	◆WM581637	1	Release Lever Spring
8	◆WM752071	1	Slide Pin	35	WM581638	1	M3 Flat Washer
9	◆WM581609	4	CE-Snap Ring	36	◆WM581639	1	Ball Spring
10	WM581610	2	Pin	37	◆B1008016	1	9/32" Ball
11	WM581611	1	Latch	38	WM581641	1	Release Valve Screw
12	WM3005611	1	Stopper Screw	39	WM581642	1	M4 x 0.7 x 6 Screw
13	WM582001	1	Body Head	40	WM582002	1	Body
14	WM751601	1	Stop Collar	41	◆WM581644	1	PS-8 Pent Seal
15	WCB750	1	Blade	42	◆WM3388533	1	P-8 Back-Up Ring
16	WM581617	1	Ram Spring	43	◆WM1584205	1	Dust Seal
17	WM581619	1	Blade Screw	44	WM581647	1	Pump Piston
18	WM581621	1	Ram	45	◆WM581648	1	Suction Valve Spring
19	◆WM581622	1	P-29 Back-Up Ring	46	◆B1005016	1	3/16" Ball
20	◆WM581623	1	P-29 O-Ring	47	◆WM581650	1	Copper Gasket
21	◆WM581624	1	Exhaust Valve Screw	48	◆WM581651	1	Suction Valve Assembly
22	◆WM581625	1	Exhaust Valve Spring	49	◆WM581655	1	P-26 O-Ring
23	◆B1006016	2	7/32" Ball	50	WM582003	1	Oil Reservoir
24	◆WM581627	1	Pin	51	WM1584155	1	Reservoir Cap
25	◆WM581628	2	E-25 Snap Ring	52	WM581662	1	M4 x 0.7 x 4 Screw
26	WM581629	2	Pin	53	WM581663	1	Body Handle
27	◆WM581630	4	CE-6 Snap Ring	54	WM581664	1	Body Handle Grip

◆ Indicates Items Included in, and Available ONLY as Part of Repair Kit WMC5875K1.

## CAUTION

***To avoid possible injury when disassembling Body Head (item 13), the Blade (item 15) must remain assembled to the Ram (item 18) with the Screw (item 17) to prevent Spring (item 16) from dislodging the Blade (item 15).***

**Australia**

Enerpac  
29-31 O'Riordan Street  
Alexandria, N.S.W. 2015  
Tel: (61) (2) 698-9955  
Fax: (61) (2) 698-9664

**Canada**

Enerpac  
13000 West Silver Spring  
Drive  
Butler, Wisconsin 53007  
(800) 426-4129 User  
(800) 426-2284 Distributor

**Eastern Europe and Other European Countries, Middle East and Africa**

Enerpac  
47, avenue Blanc  
P.O. Box 67 1211  
Geneva 21, Switzerland  
Tel: (41) 731 94 05  
Telex: 41 2843  
Fax: (41) 731 12 15

**Far East**

Enerpac  
47 Jalan Pemimpin,  
#01-02 & 01-03  
Sin Cheong Building  
Singapore 2057  
Thomson Road P.O. Box 114  
Singapore 9157  
Tel: (65) 2581677  
Telex: RS24882 APOWR  
Fax: (65) 2582847

**France**

Enerpac  
B.P. 200  
Parc d'Activités du Moulin  
de Massy  
91882 Massy Cedex  
Tel: (331) 69 20 70 70  
Telex: 60 09 51  
Fax: (331) 69 20 37 50

**Germany**

Enerpac  
Mündelheimer Weg 51  
P.O. Box 300 113  
D-4000 Düsseldorf 30  
Tel: (49) (221) 41707-0  
Telex: 8582790  
Fax: (49) (211) 4170740

**Italy**

Enerpac  
Via Canova, 4  
20094 Corsico  
Milano, Italy  
Tel: 02/458 2741  
Telex: 352337  
Fax: 39-2-48601288

**Japan**

Enerpac  
10-17 Sasame  
Kita-cho, Toda-Shi  
Saitama 335,  
Japan  
Tel: 0484-22-2251  
(Administration Dept.)  
0484-21-2311 (Sales Dept)  
Telex: 26275  
Fax: 0484-22-0596

**Latin America and Caribbean**

Enerpac  
13000 West Silver Spring  
Drive  
Butler, Wisconsin 53007  
Tel: (800) 558-0530  
Fax: (414) 781-1049

**Mexico**

Enerpac  
Blvd. Gral. Felipe Angeles  
1604  
P.O. Box 362  
42080 Pachuca. Hidalgo  
Mexico  
Tel: (52) (771) 3-37-00 or  
(52) (771) 8-38-00  
Telex: 17 55 15  
Fax: (52) (771) 3-11-96 or  
(52) (771) 3-52-32

**Netherlands, Belgium, Luxemburg**

Enerpac  
Storkstraat 25/P.O. Box 269  
NL-3900 AG Veenendaal  
Tel: (31) (8385) 35911  
Telex: 35381  
Fax: (31) (8385) 25613/26645

**South Korea**

Enerpac  
163-12, Dodang-Dong,  
Choong-Ku,  
Buchun-Shi, Kyunggi-Do  
Republic of Korea  
Tel: (82) (32) 6560836/7  
Fax: (82) (32) 6563002

**Spain**

Enerpac  
Calle de La Imprenta, 5  
Poligono Industrial  
28100 Alcobendas (Madrid)  
Spain  
Tel: (34) (91) 6523633  
Telex: 22826  
Fax: (34) (91) 6543927

**United Kingdom**

Enerpac  
Leacon Road  
Ashford, Kent  
TN23 2TU  
England  
Tel: (44233) 639871  
Telex: 96 64 50  
Fax: (44233) 643923

**United States**

Enerpac  
13000 West Silver Spring  
Drive  
Butler, Wisconsin 53007  
Tel: (800) 558-0530  
Fax: (414) 781-1049

**REPAIR AND SERVICE INFORMATION:** For repair service and parts, contact your nearest authorized ENERPAC Technical Service Center. The authorized ENERPAC Technical Service Center will provide complete and prompt service on all ENERPAC products. For the location of an ENERPAC Service Center, call **Toll Free 1-800-558-0530**. (In Canada call 1-800-426-2284)

**WARRANTY INFORMATION:** All warranty repairs must be performed by an authorized ENERPAC Technical Service Center. All ENERPAC tools are guaranteed from date of delivery to user against defects in workmanship and materials. Free repair or replacement will be made on all items not standing up to this guarantee. Following manufacturers trade custom, however, chains cannot be guaranteed. Warranty does not cover ordinary wear and tear, abuse or misuse, overloading, altered products or use of improper fluids. For prompt handling, send items requiring repairs prepaid, to your nearest authorized ENERPAC Technical Service Center.