



POWERFUL SOLUTIONS. GLOBAL FORCE.

Repair Parts Sheet

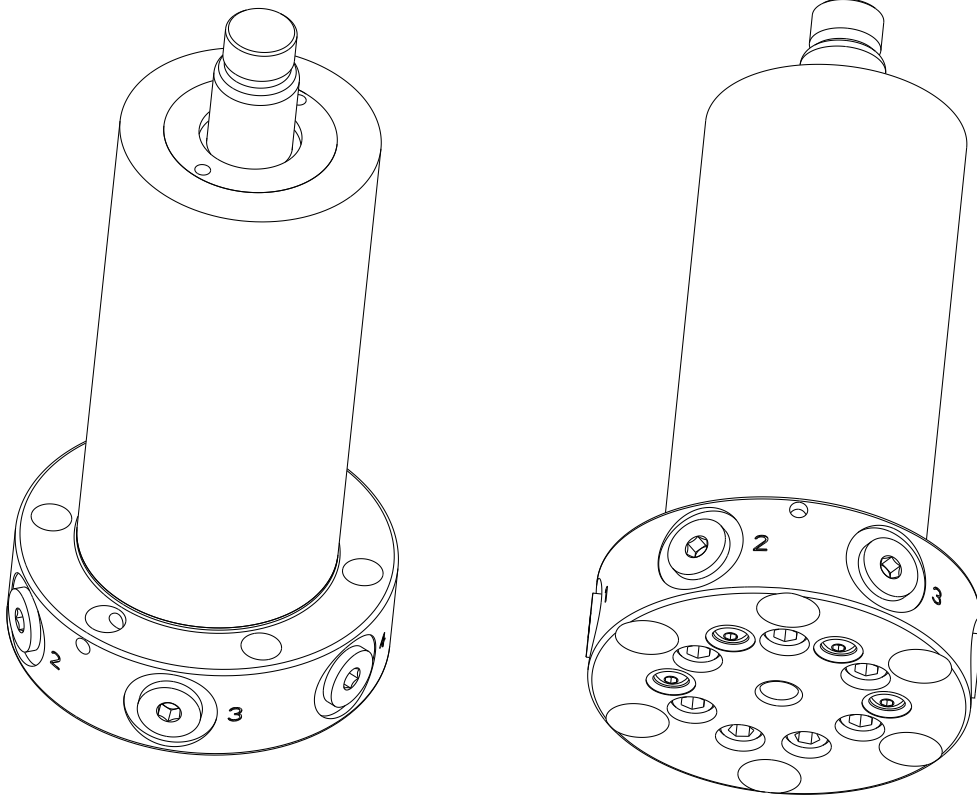
MPFL/N/R-50, WPFL/N/R-50, MPFL/N/R-100,
WPFL/N/R-100, MPFL/N/R-300, WPFL/N/R-300
Collet-Lok® Swing Cylinders

Document Number	Document Revision	Document Revision Date	Product Date Code Beginning With
L4094	A	07/2017	A



To ensure optimum performance of your Enerpac product:

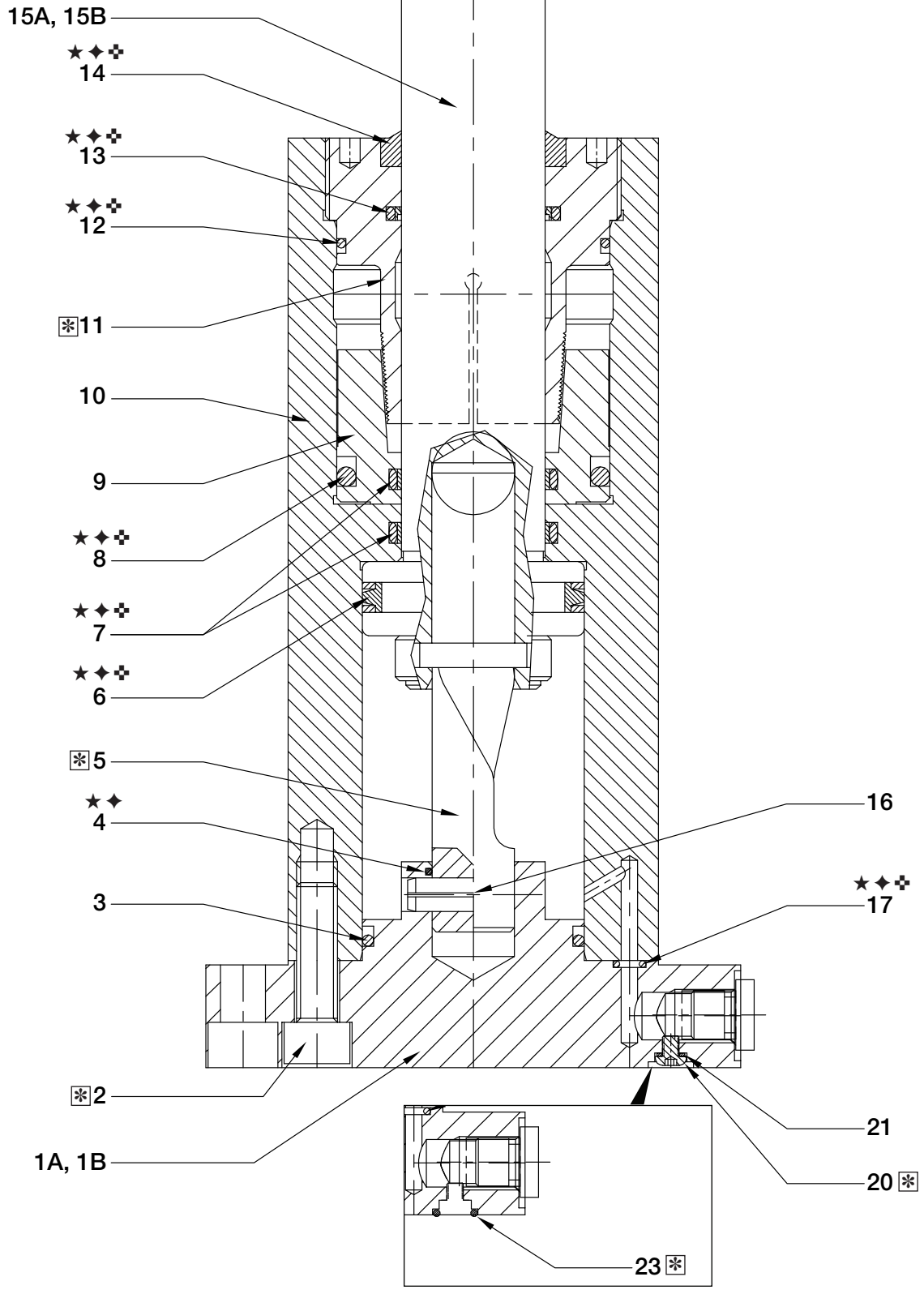
- Use only Enerpac Oil.
- Install all new parts included in each repair kit.
- See your Enerpac Authorized Service Center for factory-authorized product service.



⚠ WARNING Be certain that system hydraulic pressure is completely relieved (0 psi/bar) before performing any adjustments, maintenance or repairs.

FIGURE 1 - Sectional View

* See  on last page.

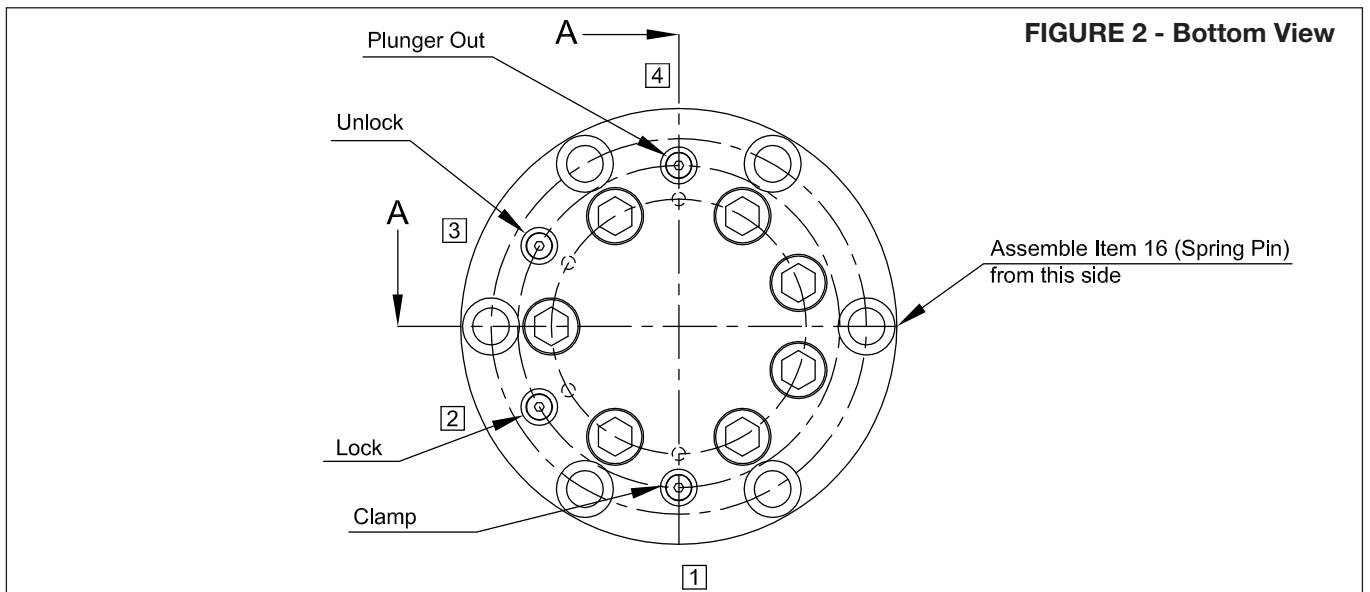


Repair Parts List for Figure 1

L4094

Item	Model Number / Part Number			Qty.	Description
	MPFL-50V MPFN-50V MPFR-50V WPFL-50V WPFN-50V WPRF-50V	MPFL-100V MPFN-100V MPFR-100V WPFL-100V WPFN-100V WPRF-100V	MPFL-300V MPFN-300V MPFR-300V WPFL-300V WPFN-300V WPRF-300V		
1A	DW1467101	DW1462101	DW1465101	1	End Plate (Metric)
1B	DW1466101	DW1461101	DW1464101	1	End Plate (Imperial)
2	CCA625028-1A	CCA825028-1A	CCA1025028-1A	7	SHC Screw
3	★ B1019203	◆ B1120203	✚ B1125203	1	O-Ring
4	★ B1011203	◆ B1013203	(not used)	1	O-Ring
5A	CV367149	CV755149	BSS3901D	1	Index Rod (MPFL only)
5B	DW1452149	DW1453149	DW1455149	1	Index Rod (MPFN only)
5C	CV368149	CV756149	BSS3902D	1	Index Rod (MPFR only)
6	★ CV369041	◆ B1213515	✚ B1327515	1	Seal
7	★ CV370041	◆ SPR95076002	✚ CS267041	2	Seal, Double Delta
8	★ B1025203	◆ B1222203	✚ B1331203	1	O-Ring
9	CV365108	CS243108	CS264108	1	Wedge Ring
10	CZ628030	CZ629030	CZ630030	1	Base
11	CY567047	CS244047	CS263047	1	Wedge
12	★ B1025203	◆ B1129203	✚ B1143203	1	O-Ring
13	★ CV371041	◆ SPR95076001	✚ CS344041	1	Stepseal
14	★ CA535044	◆ SPR95067003	✚ CM858044	1	Wiper
15A	CV372900	CV753900	CV760900	1	Plunger (Metric)
15B	CV495900	CV491900	CV960900	1	Plunger (Imperial)
16	CCA421057-1A	CCA421057-1A	CCA831057-1A	1	Spring Pin
17	★ B1008203	◆ B1008203	✚ B1008203	4	O-Ring
20	CBA409028-1E	CBA409028-1E	CBA409028-1E	4	Plug, Bolt
21	PA1303167	PA1303167	PA1303167	4	Copper Gasket
23	★ B1011203	◆ B1011203	✚ B1011203	4	O-Ring (manifold mount only)

★ Included in repair kit MPLF50KV. ◆ Included in repair kit MPFL100KV. ✚ Included in repair kit MPFL300KV.
 † Clamp arms sold separately - not included with swing cylinder.





* Service Information			L4094
Fig.	Item	Models	Torque
1	2	Ending in 50V	15,0 Nm [11 ft-lbs.]
1	2	Ending in 100V	40,0 Nm [30,0 ft-lbs.]
1	2	Ending in 300V	80,0 Nm [59,0 ft-lbs.]
1	5	(all models)	Assemble item 5 (index rod) with flat side opposite oil inlets 2 and 3.
1	11	Ending in 50V	30,0 Nm [22 ft-lbs.]
1	11	Ending in 100V	60,0 Nm [44 ft-lbs.]
1	11	Ending in 300V	100,0 Nm [74,0 ft-lbs.]
1	20	(all models - only if using tubing ports)	Hand tighten item 20 (plug bolt). Torque not to exceed 3,1 Nm [27 in-lbs]



Visit www.enerpac.com for the location of the Enerpac Authorized Service Center nearest you.