

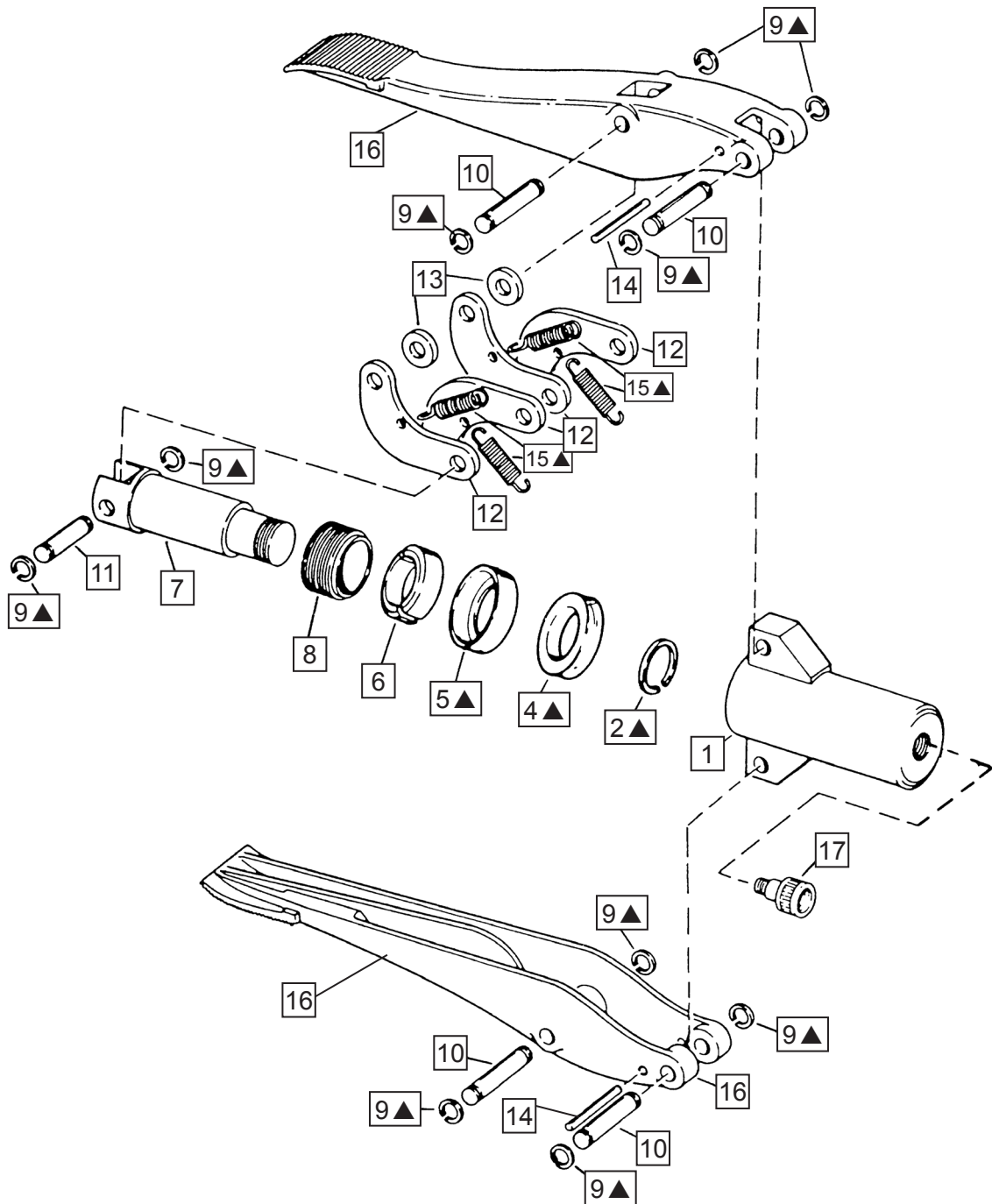
ENERPAC

POWERFUL SOLUTIONS. GLOBAL FORCE.

Repair Parts Sheet

WR15

Repair Parts Sheet	Revision	Revision Date	Product Code Beginning
Reference nr. L2829	Rev.A	06/2009	A



Repair Parts List WR15			L 2829
Item	Description	Qty.	Part Number
1	Base Sub Assy.	1	Not a service item, order new Spreader
2	Retaining Ring	1	▲
4	U-Cup	1	▲
5	Cup Bushing	1	▲
6	Rod Bearing	1	K4107
7	Plunger	1	Not a service item, order new Spreader
8	Plunger Stopring	1	B627044
9	Retaining Ring	10	▲
10	Spreader Arm Pin (incl. 2x Item 9)	4	CM439061SR
11	Plunger Pin (incl. 2x Item 9)	1	K89061SR
12	Link	4	K16062
13	Spacer	4	K15186
14	Spring Anchor Pin	2	
15	Pull Spring	4	▲
16	Spreader Arm	2	K9103
17	Coupler	1	CR400
18	Loading Decall (not Shown)	1	▲
19	Decal (not shown)	1	▲
20	Caution Decall (not shown)	1	▲
21	Coupler O-Ring (not shown)	1	▲
	WR15K50	1	Repair Kit

▲ = Indicates item included in and available only as part of Repair kit.



Item nr.	Torque / Remarks
17	Use teflon tape or Loctite 545
17	27- 81 Nm 40 - 60 ft lbs



To maintain your warranty,
have your products inspected and repaired
by an authorised Enerpac Service Centre

www.enerpac.com